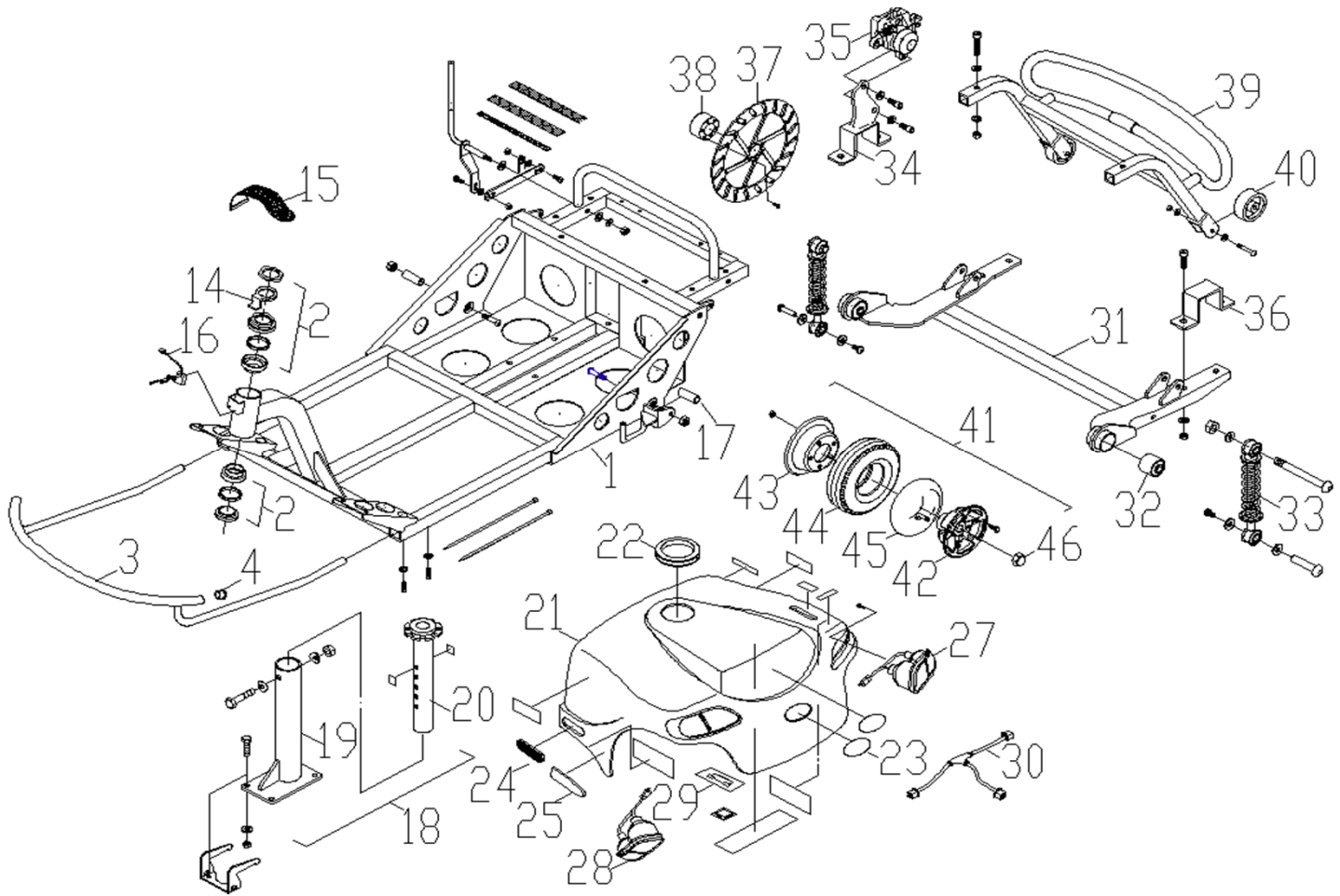
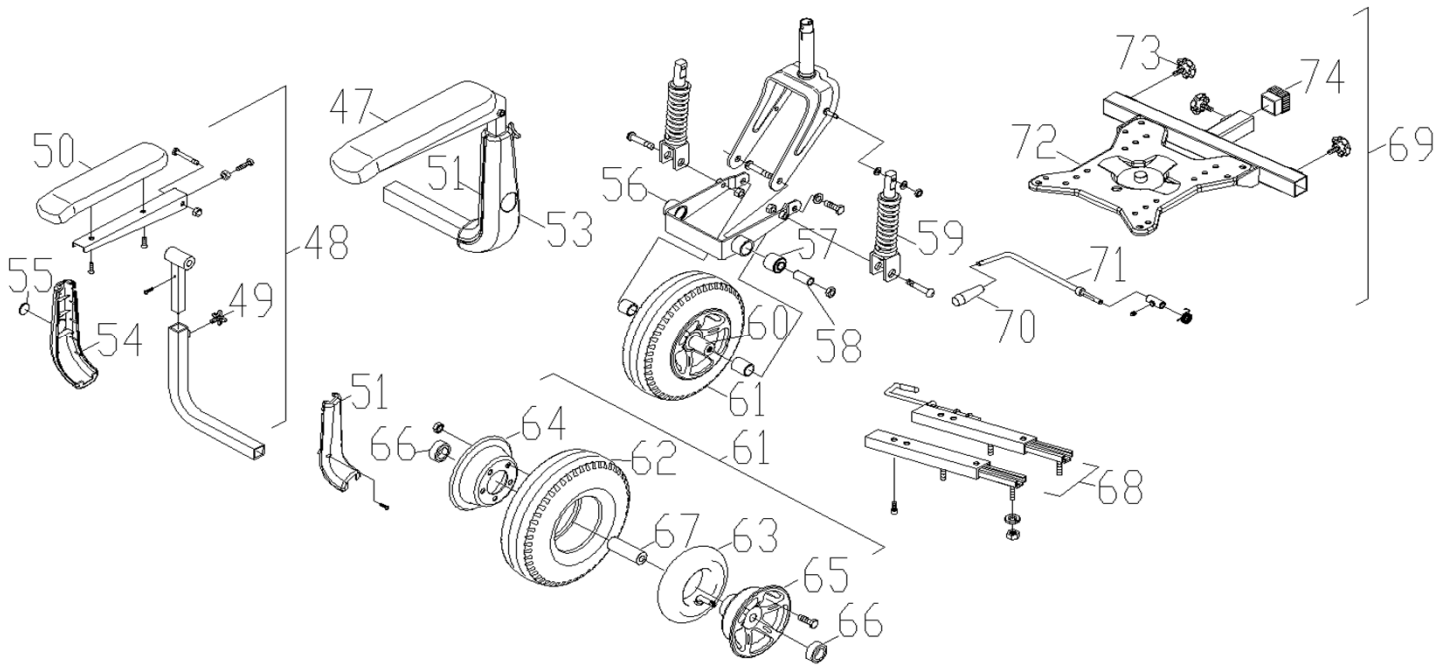


MODEL# S8368-SW  
SW : S8368-ARSW

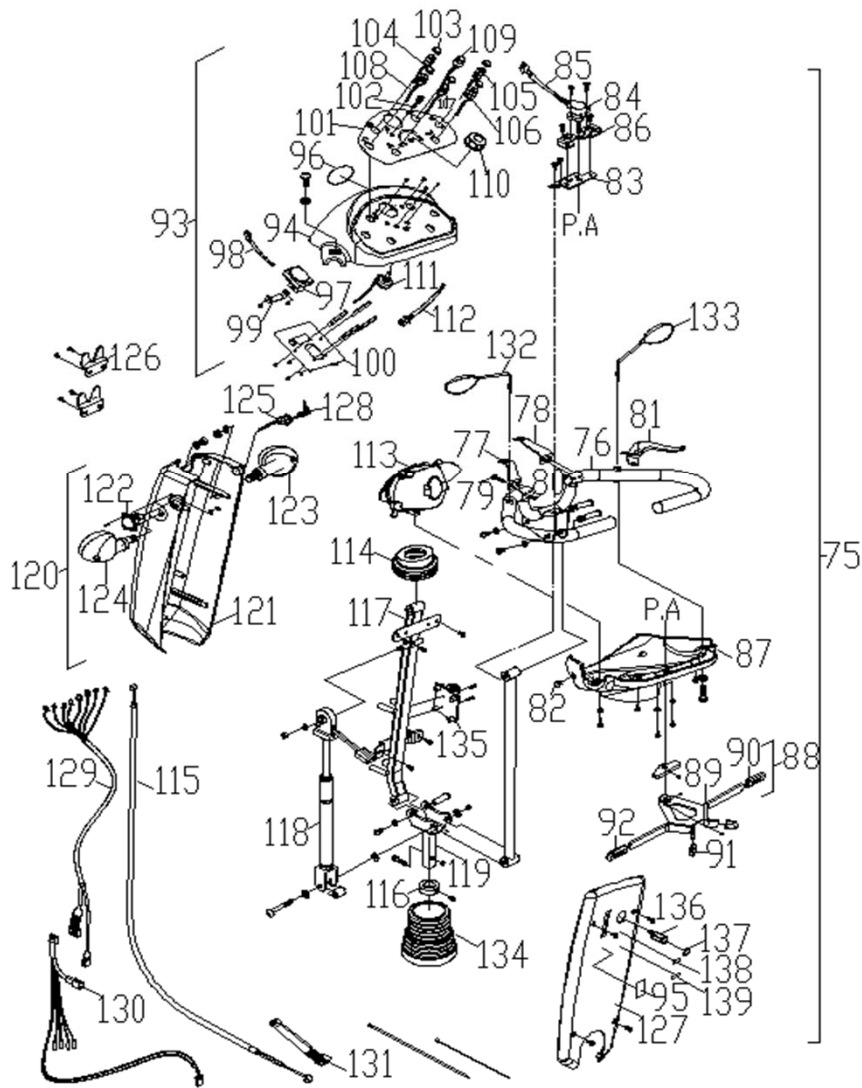
Rev: 0



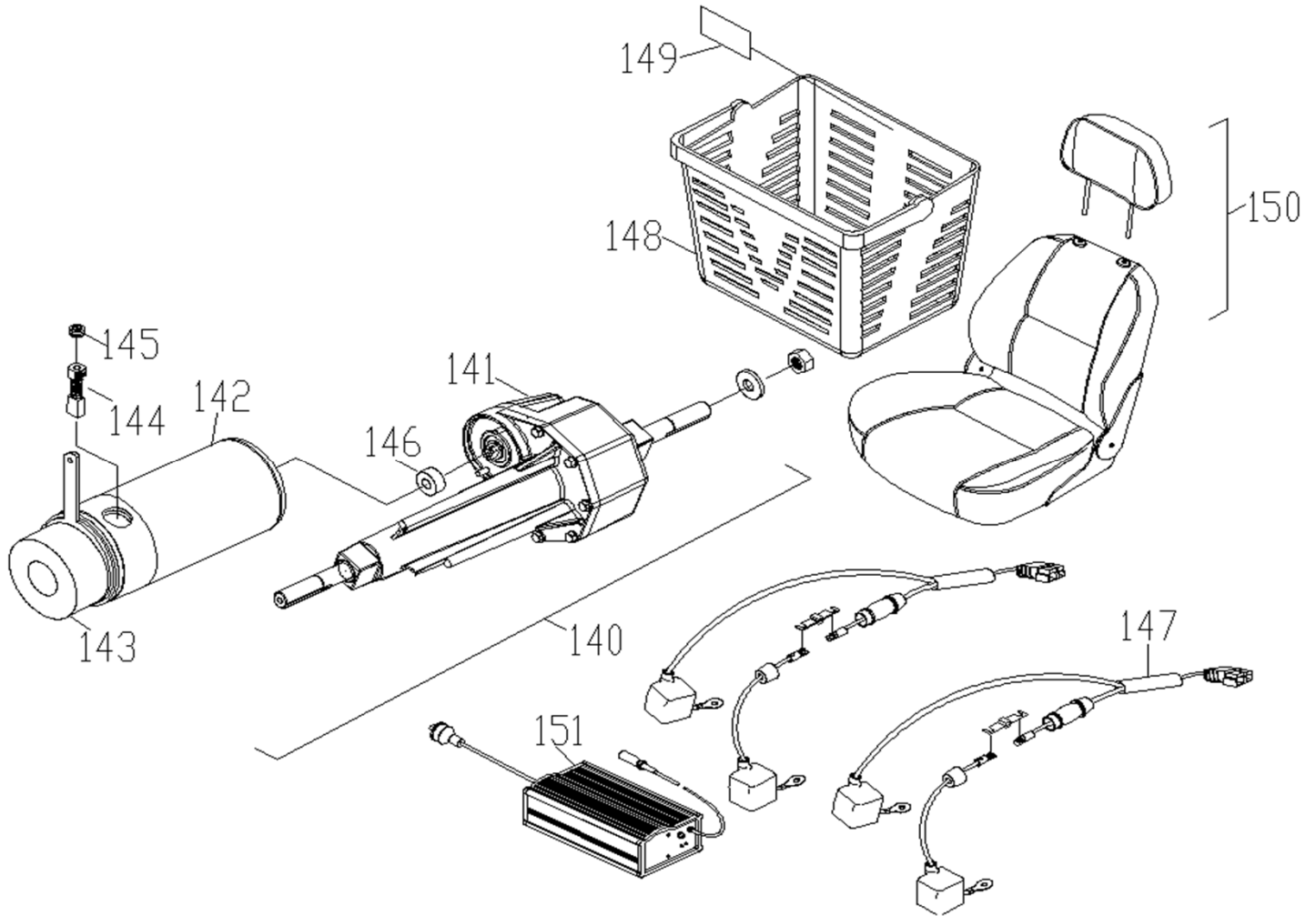
REF#	PART NO.	DESCRIPTION	REF#	PART NO.	DESCRIPTION	REF#	PART NO.	DESCRIPTION
1	30303086	FRONT FRAME ONLY	17	53600060	BUSHING, $\phi 12 \times \phi 10 \times 28L$	33	41700105	SUSPENSION BLACK/165L(550LBS/IN)
2	53400023	BEARING ONLY, FORK 7 PCS/SET	18	32100035	SEAT POST ASSY	34	30403065	FIX PLATE ASSY,M4 BALL BEARING TRANSAXLE
3	34203070	FRONT BUMPER ASSY S836	19	32103009	LOWER SEAT POST ONLY	35	42700013	REAR DISK BRAKE
4	43600190	CAP, END, BLACK, PLASTIC, 19MM OD	20	32100025	UPPER SEAT TUBE ASSY.	36	41200494	BRACKET FOR METEOR M4 TRANSAXLE
5	64510008	CONTROLLER, DYNAMIC RHINO DS160 RHINO2	21	30510394	REAR SHROUD ONLY,CANDY APPLE RED, S836	37	41200307	BRAKE DISK, SUS410 $\phi 158 \times 2.0T$
6	63370420	POWER HARNESS,DS160/S347	22	44600103	RUBBER BOOT, SEAT POST	38	41200440	RING FOR BRAKE $\phi 55 \times \phi 20 \times 24L$
7	30500234	FRONT SHROUD ASSY, CANDY APPLE RED	23	75142201	DECAL, MERITS	39	34203156	REAR BUMPER ASSY.,S836
8	30510192	FRONT SHROUD ONLY, CANDY APPLY RED FOR S836.	24	43600316	REFLECTOR, YELLOW	40	43600308	ANTI-TIP WHEEL, 50MM
9	43700854	SCUFFING GUARD TAP, 260MM*70MM	25	44600151	SIDE RUBBER PAD, 25*125L	41	32600423	12" REAR WHEEL ASS'Y., 4.00-5 BLACK RIM,GRAY TIRE.
10	44600188	SIDE TRIM, 16*640L	26	75142505	STICKER, RELEASE LEVER	42	42500149	5" ALU. RIM, REAR WHEEL,BLACK 5 HOLE
11	44600116	CARPET,RUBBER,GRAY,W/O LOGO,S836	27	61200172	REAR LAMP ,LH,24V(S830)	43	41200536	STEEL CENTER, BLACK, 5 HOLES
12	54600034	NYLON SCREW, $\phi 4.5 \times 15L$	28	61200173	REAR LAMP ,RH,24V(S830)	44	44600141	TIRE ONLY 4.00-5,GRAY.
13	75143809	DECAL,AURORA	29	75143802	80A FUSE BATTERY WIRE STICKER,100*70L	45	44600140	INNER TUBE ONLY, 4.00-5
14	41280324	LOCK WASHER	30	63400023	HARNESS, TAILLIGHT	46	34227002	SCREW COVER,M10,REAR, SILVER
15	43700203	BATTERY STRAP, 50*660L	31	30403064	REAR FRAME ONLY,M4 BALL BEARING TRANSAXLE			
16	63742002	SENSOR, HALF SPEED	32	43700295	BUFFER, RUBBER BUSHING			



REF#	PART NO.	DESCRIPTION	REF#	PART NO.	DESCRIPTION	REF#	PART NO.	DESCRIPTION
47	31000342	ARMREST ASSY., LH	61	33100083	FRONT WHEEL ASSY., FOR 3W/4W GRAY METEOR			
48	31000343	ARMREST ASSY., RH	62	44600141	TIRE ONLY 4.00-5,GRAY.			
49	43600317	KNOB, M8*15L	63	44600140	INNER TUBE ONLY, 4.00-5			
50	43780254	ARM PAD,BLACK,AS-211 PU	64	41200536	STEEL CENTER, BLACK, 5 HOLES			
51	43610502	PROTECTIVE COVER (L),ARMREST, ABS, BLACK	65	42500148	FRONT WHEEL RIM(5"),W/O LOGO,5 HOLES			
52	43610503	PROTECTIVE COVER (R),ARMREST, ABS, BLACK	66	53300028	BEARING, 6003ZZ			
53	43610500	PROTECTIVE SHROUD (L),ARMREST, ABS, BLACK	67	53600059	SPACER,φ21.4*φ17.6*31L			
54	43610501	PROTECTIVE SHROUD (R),ARMREST, ABS, BLACK	68	41700077	SLIDE MECH. ASSY., WITH RELEASE LEVER			
55	43600546	REFLECTOR,PE146, AMBER	69	32100039	SEAT BASE WITH RELEASE LEVER ASSY			
56	30303065	FRONT SUSPENSION ARM	70	44600060	BLACK TIP, R.LEVER			
57	43700295	BUFFER, RUBBER BUSHING	71	24210002	RELEASE LEVER, "L" TYPE			
58	53600060	BUSHING, φ12*φ10*28L	72	32103017	SEAT PLATE ONLY			
59	41700096	SUSPENSION, DV-7M-130L, RED	73	43600270	KNOB, M10*13L			
60	41300107	FRONT AXLE, SP-13	74	43600306	PLUG, SQUARE, 30*30			



REF#	PART NO.	DESCRIPTION	REF#	PART NO.	DESCRIPTION	REF#	PART NO.	DESCRIPTION
75	33500165	TILLER ASSY., PARALLEL, CANDY APPLE RED	97	61220012	INDICATOR, BATTERY LEVEL	119	33503021	TILLER FIX BOLT ASSY, INJECTION,AURIGA/METEOR.
76	33503087	UPPER TILLER ONLY, W/PU, ED	98	63947101	WIRE,FUEL GAGE,S139	120	30510904	FRONT DASHBOARD ASSY., CANDY APPLE RED
77	41200593	BRACKET, HEADLIGHT	99	41200532	CLAMP,INDICATOR	121	30510905	FRONT DASHBOARD ONLY, CANDY APPLE RED
78	41200594	BRACKET, HEADLIGHT	100	61108225	PCB MODULAR, DASHED BOARD, PIR113, WIRE LINK BRAKE	122	33710008	CHARGER SOCKET SET
79	50105050	SCREW, PPH, M5*30L, BZ	101	75145205	STICKER, DASH BOARD	123	61200051	INDICATOR UNIT, RIGHT (24V/ 5W)
80	53205007	NYLON NUT,M5, BZ	102	61200070	POWER INDICATOR, L-610	124	61200050	INDICATOR UNIT, LEFT (24V/ 5W)
81	42700041	LEVER BRAKE, RH	103	44600401	WATER PROOF CAP	125	63700036	KEY SWITCH W/CONNECTING WIRE, S830
82	43601123	TUBE INSERT	104	33700255	HALF SPEED SET,S139	126	41200199	BASKET BRACKET 2.5T
83	41201109	SETTING PLATE, POT	105	33700221	RIGHT DICTATOR LIGHT SWITCH SET.150L_P9R	127	30510414	REAR DASHBOARD ONLY, CANDY APPLE RED, 12V
84	61020024	POTENTIOMETER, 576S0076A	106	33700223	HORN SET,100L_P6	128	33700217	KEY SET
85	63500021	CONNECTING WIRE (POT)	107	33700225	HAZARD LIGHT SET,100L_P14	129	63180060	MAIN CABLE,S8468 SW
86	41280318	FIX PLATE,POT	108	33700220	LEFT DICTATOR LIGHT SWITCH SET.150L_P9L	130	63445209	WIRE,HEAD LIGHT W/ THRN LIGHT.250L
87	30510903	LOWER DASHBOARD ONLY, CANDY APPLE RED	109	33700224	HEADLIGHT SWITCH,150L_P8	131	63742003	SENSOR, HALF SPEED
88	33500110	THROTTLE LEVER ASSY.	110	61180107	KNOB,RN-99C	132	46700006	BACK MIRROR, LH
89	33503072	THROTTLE LEVER ONLY, ED	111	61020006	POTENTIOMETER., VR30K, COSMOS RV24	133	46700008	BACK MIRROR, RH
90	43780007	SLEEVE FOR THROTTLE LEVER (FORWARD)PVC	112	63545203	CONNECTING WIRE, SPEED POT,180L	134	44600190	LOWER RUBBER BOOT, S8**
91	43780008	SLEEVE FOR THROTTLE LEVER, PVC BLACK	113	61200148	HEAD LIGHT ASSY,NE1-24V/18W	135	61100069	POWER CONVERT BOARD
92	43780006	SLEEVE FOR THROTTLE LEVER (BACKWARD)PVC	114	44689071	RUBBER BOOT, NBR, φ112*61.4, SW	136	61138003	CABLE, PLUG.
93	33510897	UPPER DASHBOARD ASSY., APPLE RED	115	34200116	HANDBRAKE CABLE	137	61230106	12V SOCKET COVER.
94	30510902	UPPER DASHBOARD ONLY, CANDY APPLE RED	116	41300109	CLAMP RING, SCOOTER, 19L	138	75147905	LABEL, 12 VOLTS, GRAY, 30*15
95	75143207	STICKER, WHITE, TILLER ADJUST 40*49,5L	117	33503071	TILLER STAND ONLY	139	75171109	LABEL, MAX. 5A, GRAY, 30*15
96	75142201	DECAL, MERITS	118	41300570	ELEVATING CYLINDER			



REF#	PART NO.	DESCRIPTION	REF#	PART NO.	DESCRIPTION	REF#	PART NO.	DESCRIPTION
140	62001300	TRANSAXLE ASSY,MM418QT-6	150	32228013	CAPTAIN SEAT ONLY,18*16*20" W/ RECLINE & BLACK COLOR			
141	62201262	TRANSAXLE	151	33700467	24V/ 8A CHARGER, WITH CORD			
142	62101300	MOTOR SET,M4QT-6						
143	62300010	ELECTRICMAGNETIC BRAKE, 81.6 KGF 8NM, FOR 4P TRANSAXLE,						
144	62400012	DRVBRSH1020. CARBON BRUSH, 7*11MM						
145	62400026	PLSINDV1209. CARBON BRUSH CAP FOR SCOOTER MOTOR, 7*11MM						
146	62409046	HEAVY DUTY COUPLER						
147	63243801	BATTERY CABLE, W/80A FUSE						
148	43780088	BASKET, PLASTIC						
149	75143224	BASKET LOAD STICKER						