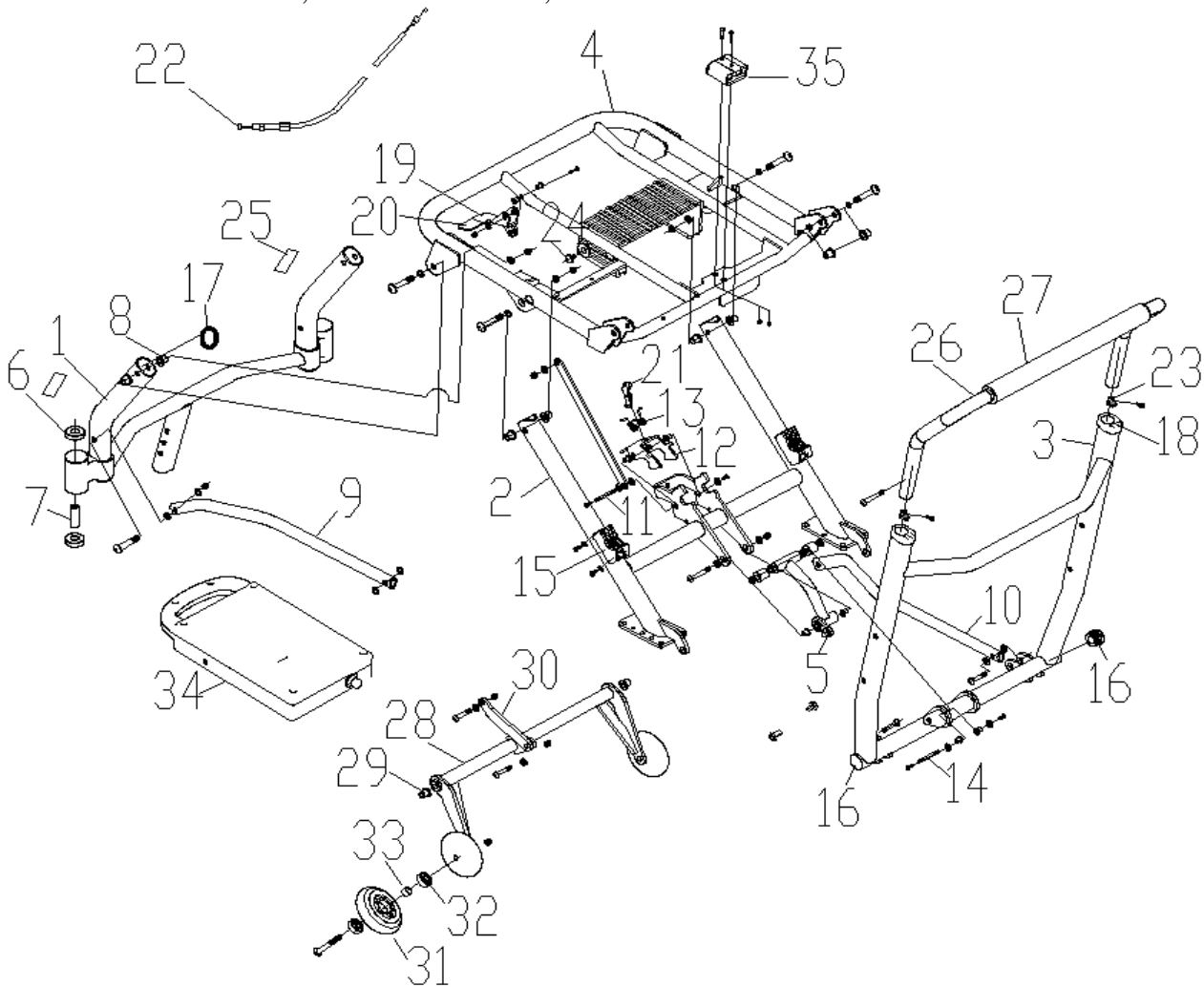
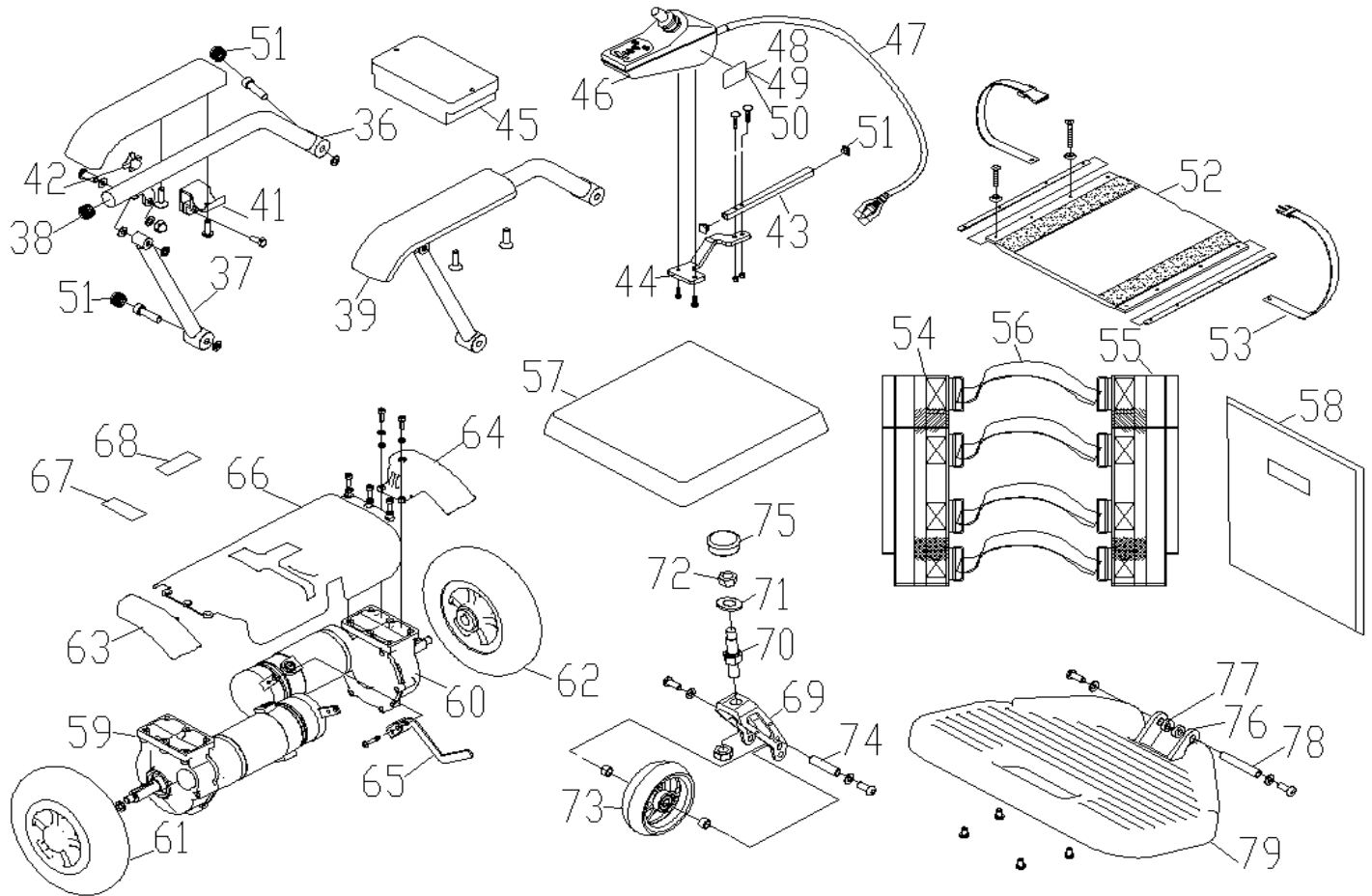


MODEL# P113-SW
SW : P113AUDGSWB, P113AUDBSWB, P113AUDRSWB

Rev: 0



REF#	PART NO.	DESCRIPTION	REF#	PART NO.	DESCRIPTION	REF#	PART NO.	DESCRIPTION
1	30222M02	FRONT SUPPORT TUBE ASSY , GRAY	9	30214M06	DRIVE TUBE L, BLUE	23	4360RM92	PLUG
1	30214M02	FRONT SUPPORT TUBE ASSY , BLUE	9	30206M06	DRIVE TUBE L, RED	24	4130CM89	PIN
1	30206M02	FRONT SUPPORT TUBE ASSY , RED	10	30222M07	DRIVE TUBE R, GRAY	25	75101M72	LOGO LABEL
2	30222M03	REAR SUPPORT TUBE ASSY, GRAY	10	30214M07	DRIVE TUBE R, BLUE	26	30622M02	UPPER BACKREST TUBE ASSY, GRAY
2	30214M03	REAR SUPPORT TUBE ASSY, BLUE	10	30206M07	DRIVE TUBE R, RED	26	30614M02	UPPER BACKREST TUBE ASSY, BLUE
2	30206M03	REAR SUPPORT TUBE ASSY, RED	11	4130DM08	AXLE	26	30606M01	UPPER BACKREST TUBE ASSY, RED
3	30222M04	BACKREST TUBE ASSY, GRAY	12	30203M13	HOOK ASSY	27	4570DM83	PU FOAM
3	30214M04	BACKREST TUBE ASSY, BLUE	13	5350AM12	TORSION SPRING	28	30203M11	ANTI-YIPPER ASSY
3	30206M04	BACKREST TUBE ASSY, RED	14	4130DM09	AXLE	29	4360PM30	BUSHING(3)
4	32222M01	SEAT TUBE ASSY, GRAY	15	4360QM52	CONNECTING BASE	30	4120DM51	LINK PLATE OF ANTI-TIPPER
4	32214M01	SEAT TUBE ASSY, BLUE	16	43600039	25 DIA END PLUG, $\phi 1'' \times 0.9t$	31	4360FM30	3"WHEEL
4	32206M01	SEAT TUBE ASSY, RED	17	4360QM53	PLUG	32	53400001	PRECISION BEARINGS,608ZZ
5	30203M05	LINK TUBE ASSY	18	4360QM54	PLUG	33	53600M55	BRUSHING
6	53300004	STEM BEARING, 6001	19	30203M04	WRENCH ASSY	34	33700M68	BATTERY ASSY
7	53600M65	BUSHING	20	43701040	TIP,RELEASE LEVER,RED	35	4360QM51	CONTACT SHOE
8	4360PM30	BUSHING(3)	21	30203M14	SAFETY DEVICE			
9	30222M06	DRIVE TUBE L, GRAY	22	4170AM47	INNER CABLE			



REF#	PART NO.	DESCRIPTION	REF#	PART NO.	DESCRIPTION	REF#	PART NO.	DESCRIPTION
36	31022M10	ARMREST TUBE ASSY, GRAY	49	75132808	On/Off Warning label	66	4360QM59	PROTECT COVER OF MOTOR
36	31014M42	ARMREST TUBE ASSY, BLUE	50	75100121	LABEL, EMC WARNING	67	75142402	STICKER,CLUTCH (WHITE ICON)
36	31006M18	ARMREST TUBE ASSY, RED	51	4360QM76	PLUG	68	75101M71	LABEL
37	31022M11	LINK TUBE OF ARMRESR, GRAY	52	4370YM55	SEAT	69	4230AM85	FRONT FORK
37	31014M43	LINK TUBE OF ARMRESR, BLUE	53	4370XM37	SAFETY ASSY	70	4130CM96	VERTICAL AXLE
37	31006M19	LINK TUBE OF ARMRESR, RED	54	4370YM56	BACK PAD L	71	53400M13	BEARING OF CASTER
38	43600037	7/8" PLUG, BLACK	55	4370YM57	BACK PAD R	72	53242002	NYLON NUT, M12
39	4360GM11	ARMREST PAD	56	4370YM60	CONNECTING STRAPE	73	4360QM82	PU WHEEL ASS'Y
40	4360GM22	ARMREST PAD	57	4370YM58	SEAT PAD	74	4130CM97	AXLE
41	4260AM26	LINK CLAMP	58	4370YM59	BACK PAD	75	43600249	BLACK DUST CAP
42	43600328	HANDLE BAR KNOB 2462/3 2320	59	62012076	MOTOR ASSY L	76	30222M10	FOOTREST ASSY, GRAY
43	33603M01	CONTROLLER MOUNTING BAR ONLY, VSI CONTROLLER, ED	60	62022076	MOTOR ASSY	76	30214M10	FOOTREST ASSY, BLUE
44	41200338	MOUNTING PLATE	61	33000159	PU WHEEL LH	76	30206M10	FOOTREST ASSY, RED
45	64220010	CONTROLLOR nVR2 UPPER	62	33000160	PU WHEEL RH	77	43600173	RADIOUS PLASTIC WASHER, BLACK
46	64220011	CONTROLLOR nVR2 LOWER	63	4360QM57	DIRTBOARD L	78	4130CM88	AXLE
47	633M0009	WIRE OF CONTROLLOR	64	4360QM58	DIRTBOARD R	79	4360QM60	COVER OF FOOTREST
48	75132809	Reading label	65	30203M08	EXTENSION BAR			