

drive

DeVilbiss
HEALTHCARE



Cobalt Powerchair

User Manual

CE

Table of Contents

1.	Preface	2
2.	Safety Notices	3
3.	Electromagnetic Interference	4
4.	Parts	5
5.	Assembly	6
	Initial Assembly	6
	Disassembly for Transport	8
6.	Comfort Adjustments	11
	Seat Swivel	11
	Controller Position	11
	Armrest Width	11
	Footplate Height	12
	Seat Height	12
7.	Operation	13
	General Information	13
	Controller	13
	Freewheel Mode	13
	Security Functions	14
	Transporting Your Chair	14
	Positioning Belts	15
	Use on Inclines	15
	Batteries	16
	Motor	16
	Electrical Brakes	17
	Troubleshooting	17
8.	Batteries & Charger	18
	Charger Features	18
	Operation Instructions	18
	Usage Environment	19
	Notes	19
9.	Specifications	20
10.	Limited Warranty	21
	Product Registration	22

Preface

Please read this owner's manual before using the power wheelchair. Improper use of the power wheelchair could result in harm, injury or traffic accidents.

This owner's manual includes operation instructions for every aspect of the power wheelchair, assembly instructions, as well as instructions for how to deal with possible accidents.

The symbols used in this manual are explained below. Read carefully, especially the parts marked with these symbols:

Warning	Improper usage could lead to death or serious injury
Caution	Improper usage could lead to injury and/or damage to your power wheelchair.
Suggestion	Follow these instructions to keep the status of the power wheelchair working well and ease your operation.

This manual includes the repair and maintenance record chart and warranty. Please keep it in a proper place or on the wheelchair.

If someone else uses the wheelchair, please be sure to give the instruction manual to him or her.

As designs change, some illustrations and pictures in the manual may not correspond to the wheelchair that you purchased. We reserve the right to make design modifications.

The manufacturer disclaims all responsibilities for any personal injury or property damage which may occur as a result of improper or unsafe use of its products.

Safety Notices

1. Always fully charge your power chair before operating.
2. Always make sure the power is off when getting in and out of the power chair.
3. Always make sure the clutch levers are engaged (parallel to the wheels) before getting in or out of the wheelchair. Engage the levers by pressing them downwards.
4. To prolong the life of the battery, it is suggested you charge the battery after every trip. If you do not drive it for long periods of time, it is recommended to charge the batteries once per week.
5. If the battery gauge goes to RED, charge the battery as soon as possible. If the battery is totally discharged, it could be damaged, and/or its life could be shortened.
6. As the battery ages and deteriorates, the battery power will decrease faster.
7. In cold weather, the battery capacity will be less.
8. Avoid unnecessarily moving of the power chair.
9. Please fasten the seat belt, if included, when operating the powerchair and check the proper position of the anti-tip wheel.
10. Our products function best at temperatures between 32-122°F (0-50°C).
11. Disassembling of controller, motor or charger by end user is prohibited; the dealer will not take any responsibility on these kinds of situations.
12. Prevent the controller, charger and battery from getting wet; this can cause a malfunction.
13. To ensure the user's familiarity with the power chair's operation, the new driver should practice driving in a spacious area, traveling forward, backward, left, right, using the brakes, and going both up and down slopes.
14. Please turn off the power chair when the chair is not in use and before charging the battery.
15. The following areas and conditions can be dangerous and should be avoided; darkness, dim lighting, steep slopes, rain, snow, shoulder of the road, slippery areas, etc.
16. Please do not drive your power chair at night without proper lighting.
17. Please do not lower the footplate to less than 2" above the ground, because accidents may occur due to insufficient ground clearance.
18. Keep your feet on the footplate at all times during operation and do not stand on the footplate. If your feet are in the improper position, you can be seriously injured.
19. When the power does not come on, recheck all connections and recharge if necessary.
20. Please check the screws under the joystick periodically and make sure they are not loose, and tighten them if needed.

Electromagnetic Interference

Power mobility products may be susceptible to electromagnetic interference (EMI), which is interfering energy emitted from sources such as:

- Cellular phones
- Wireless computer links
- Two-way radios
- Radio stations
- TV stations
- Amateur radio (HAM) transmitters
- Microwave signals
- Medium-range mobile transceivers used by emergency vehicles

This interference can cause the powered mobility product to release its brakes, move by itself, or move in unintended directions. It can also permanently damage the power mobility product's control system.

Every electronically-powered mobility scooter has a resistance to EMI – the higher the immunity level, the greater the resistance to EMI. Your power mobility product has been laboratory tested and is immune to EMI up to a level of 20 V/M.

Warning!

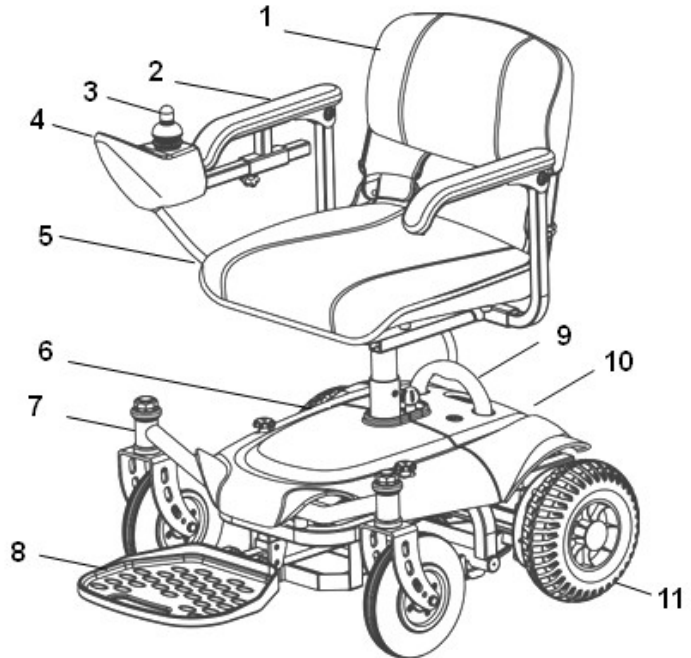
Following the warnings listed below should reduce the chance of unintended brake release or powered mobility product movement which could result in serious injuries.

1. Do not operate hand-held transceivers-receivers, such as citizens band (CB) radios, or turn ON personal communication devices, such as cellular phones, while the mobility power mobility products turned ON.
2. Be aware of nearby transmitters, such as radio or TV stations, and try to avoid getting close to them.
3. If unintended movement or brake release occurs, turn the powered mobility product OFF as soon as it is safe.
4. Be aware that adding accessories or components, or modifying the mobility power mobility product, may make it more susceptible to EMI.
5. Report all incidents of unintended movement or brake release to Drive DeVilbiss, and note whether there were sources of EMI nearby.

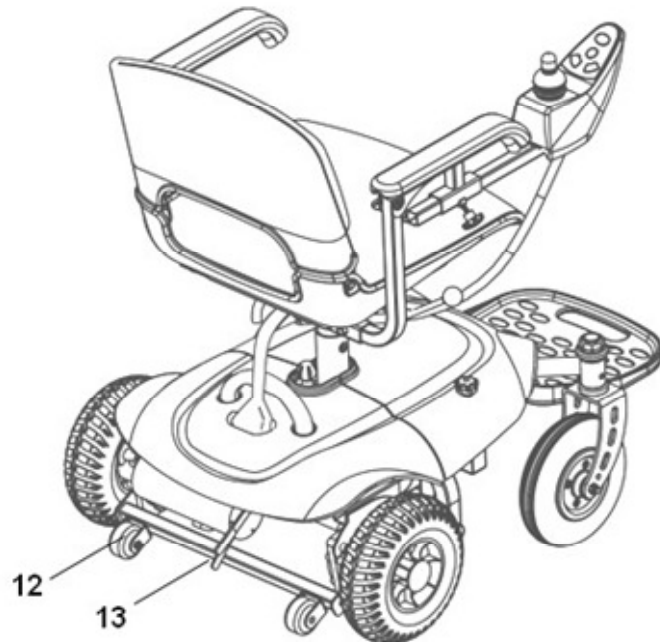
Parts

COBALT

1. Backrest
2. Armrest
3. Joystick Stalk
4. Joystick Remote
5. Seat
6. Front Shroud
7. Front Caster
8. Footplate
9. Handle
10. Rear Shroud
11. Drive Wheel



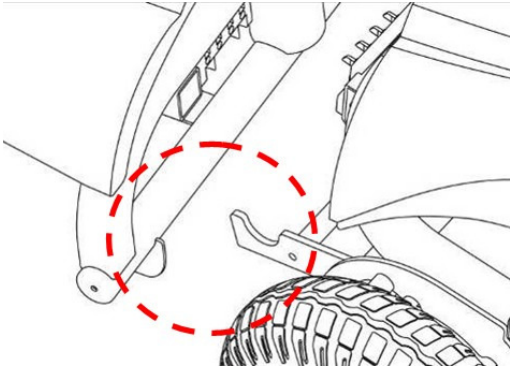
12. Anti-tipper
13. Manual Freewheel Levers



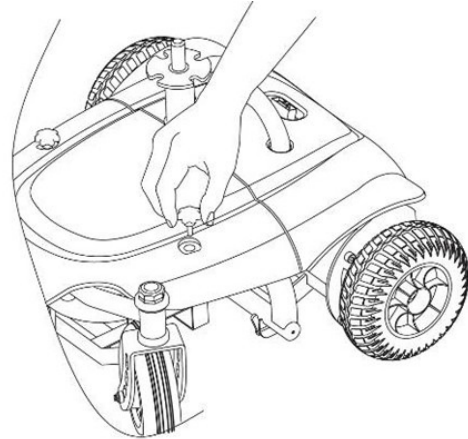
Assembly

INITIAL ASSEMBLY

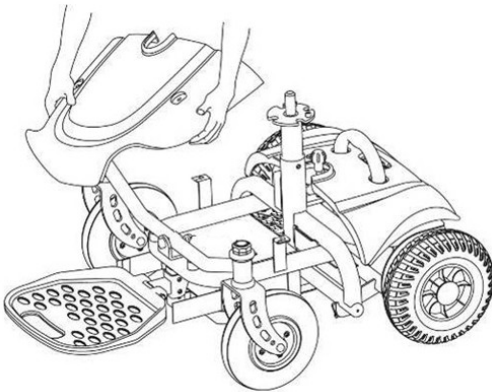
1. Connect the front and rear frame by aligning the curved brackets on the front section with the horizontal tube on the rear section.



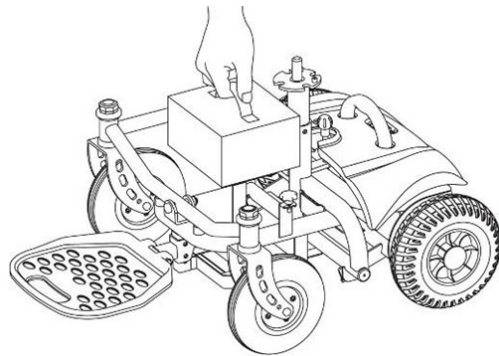
2. Loosen and remove the two knobs on the shroud.



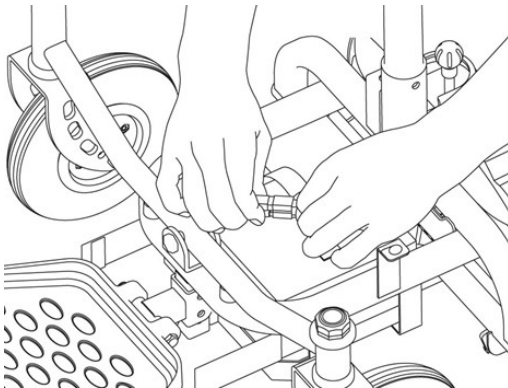
3. Remove the cover shroud from the front of the chair.



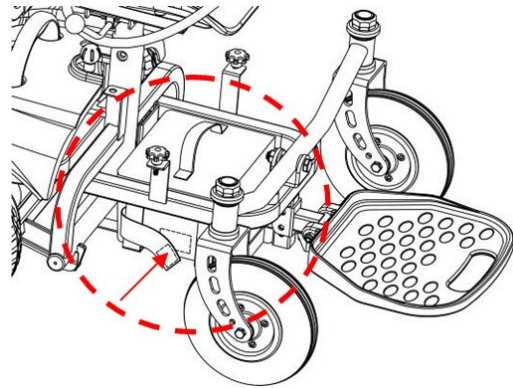
4. Place battery pack on the front frame.



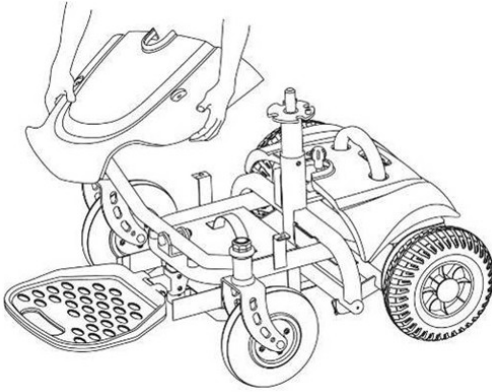
5. Connect battery pack connectors with the main cable.



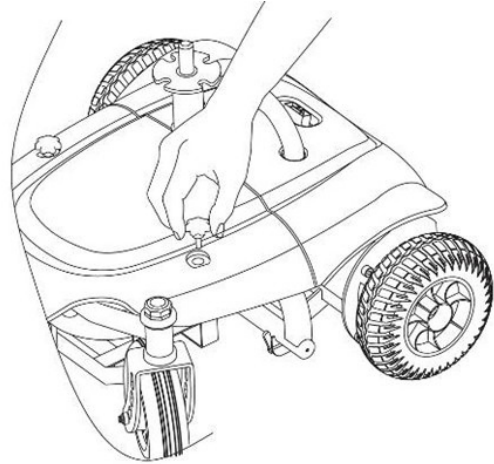
6. Fasten battery pack with safety straps.



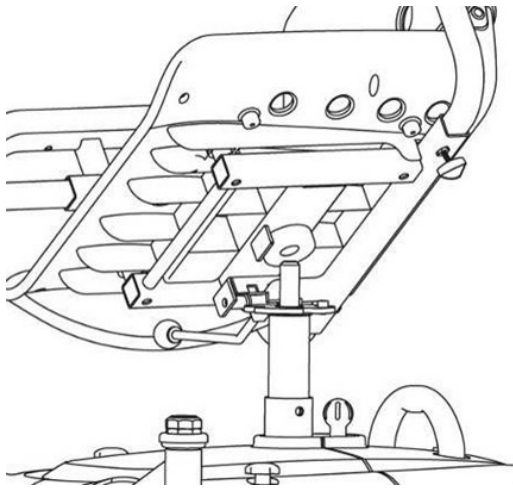
7. Place the front shroud on the frame.



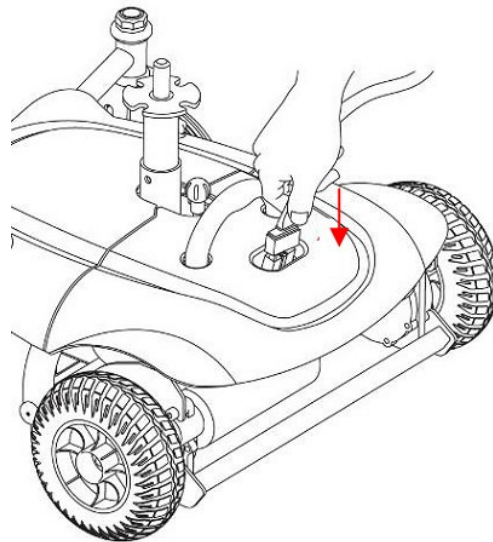
8. Fasten the 2 knobs on the shroud.



9. Place the seat down on the wheelchair's seat post.



10. Connect the controller cable to the connection port in the rear shroud.

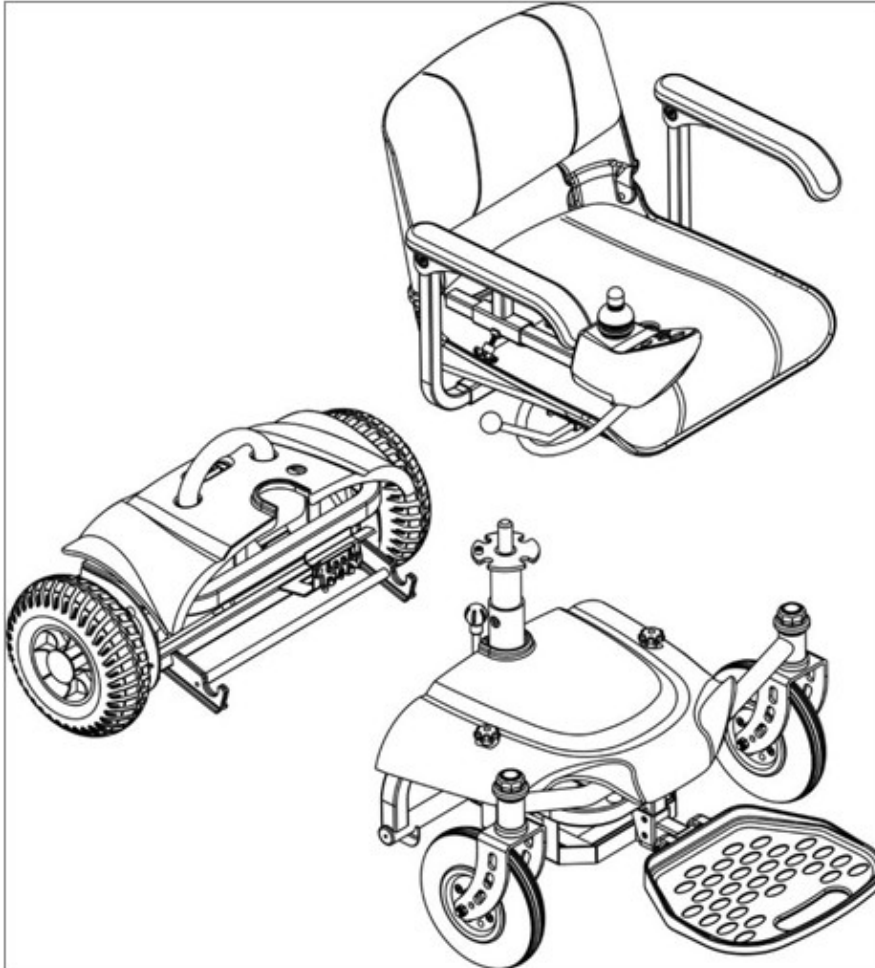


11. Fully charge the wheelchair's batteries by inserting the round charger connector into the battery charging terminal on the front of the wheelchair's controller and inserting the 3-pronged plug into a standard electrical outlet.

Full charging normally takes 6-8 hours, but can take as many as 10 hours depending on the batteries' charge level when starting and the ambient temperature.

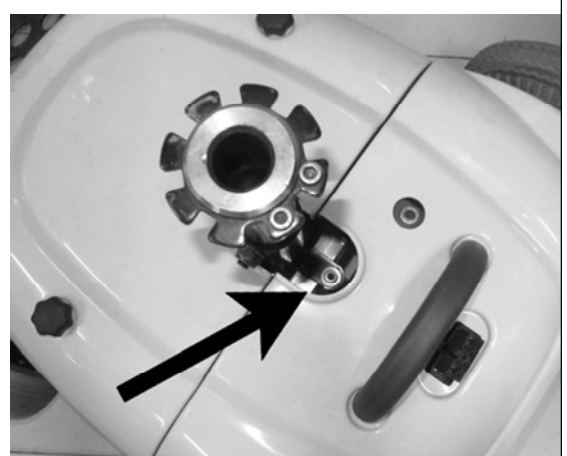
DISASSEMBLY FOR TRANSPORT

The wheelchair can be quickly and easily separated into 4 sections: seat assembly, front section, and rear section (with or without batteries) and the battery pack.

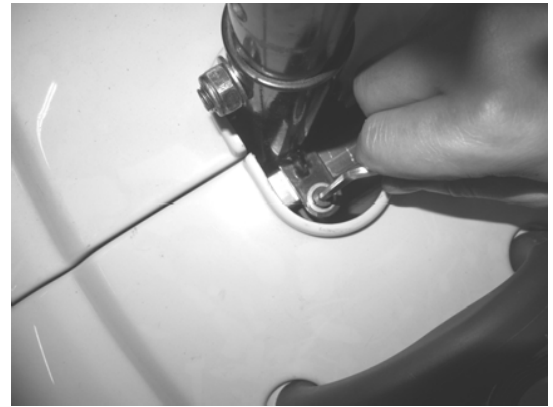


Your Cobalt powerchair comes with a spring quick release pin as standard. However, this may be substituted for a transit bolt (Arrowed) in case the powerchair needs transporting.

This procedure describes how to remove the screw and install the quick release pin if required.



To disassemble the chair, remove the seat then use the included Allen wrench to loosen and remove the bolt.



Carefully slide the front and rear sections apart.

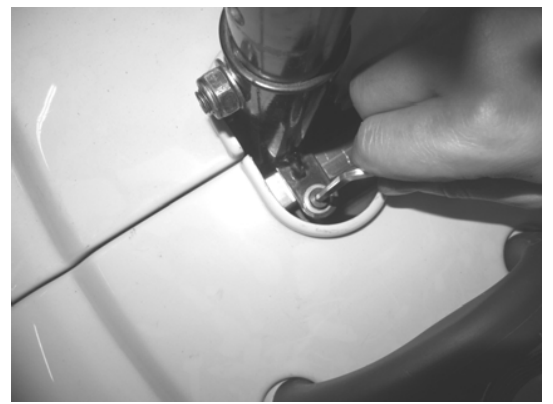


For added ease of disassembly, your Cobalt also comes with a spring lever that can be installed in place of the bolt.

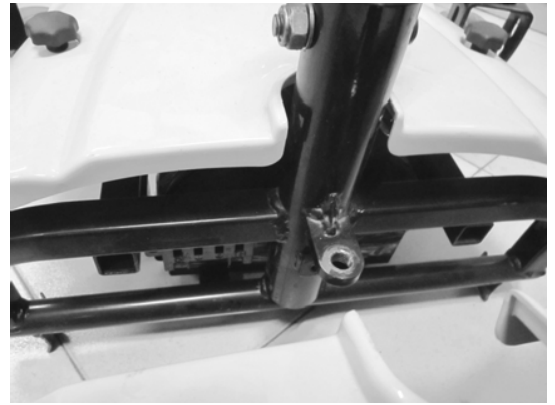
With the spring lever installed, simply pulling up on the lever allows you to separate the front and rear sections.



To install the spring lever, remove the bolt.



Separate the front and rear sections. Insert the spring lever into the hole vacated by the bolt. Make sure that the lever is inserted into the hole fully, with the attached nut touching the frame around the hole.



Using an open ended wrench, tighten the nut to hold the spring lever firmly in place.



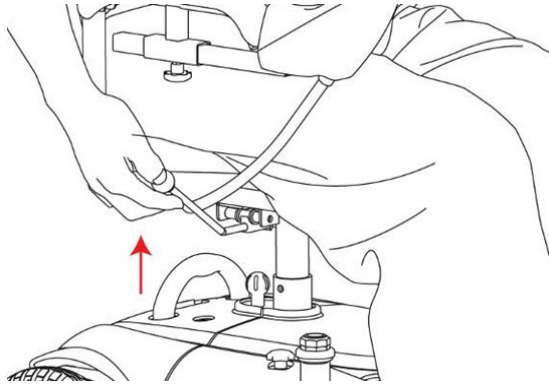
To join the front and rear sections together, align the two sections as usual, but do so while pulling upward on the spring lever. After connecting the two sections together, release the spring lever to lock the sections in place.



Comfort Adjustments

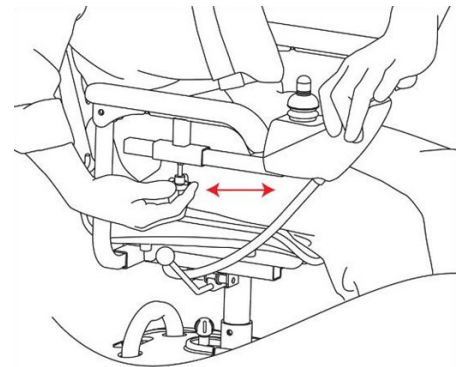
SEAT SWIVEL

Seat can be swiveled left or right to make the getting on or off more convenient, by lifting up on the handle on the left side of the seat.



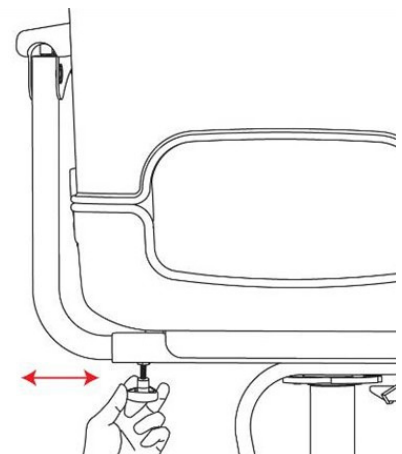
JOYSTICK POSITION

The position of the controller can be adjusted by loosening the bolt on the underside of the controller arm and sliding the arm forward or backward to the desired position. Once the desired position is reached, retighten the bolt to secure the joystick in position.



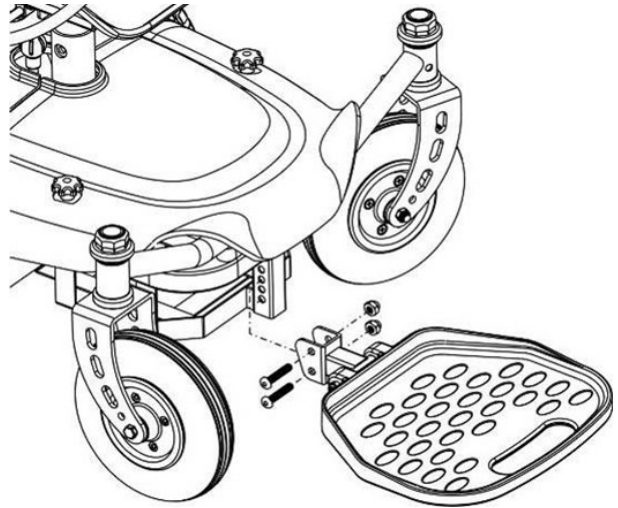
ARMREST WIDTH

The width of armrests can be adjusted by loosening the bolts on the underside of the armrests and sliding the armrests inward or outward to the desired width. Once the desired position is reached, retighten the bolt to secure the armrest in position.



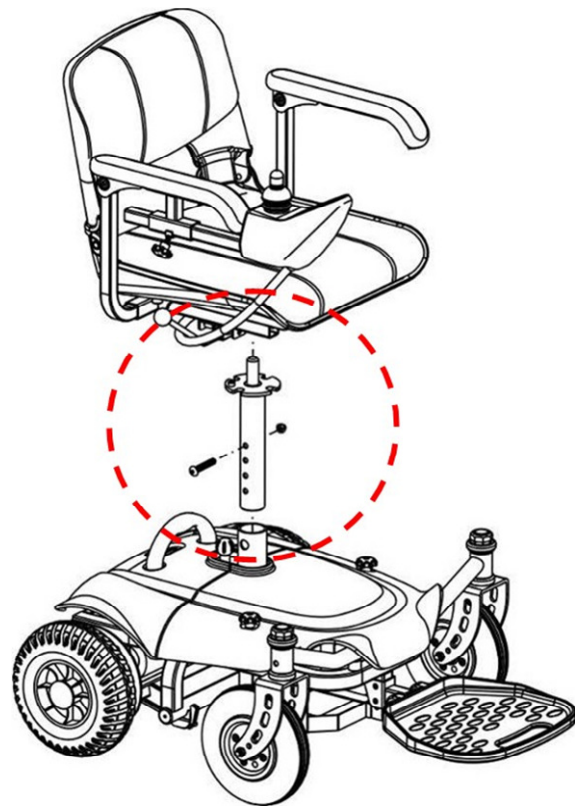
FOOTPLATE HEIGHT

The height of footplate can be adjusted to two positions. Remove the screws that hold the footplate to the wheelchair's frame, place the footplate at the desired height setting, and replace and fully tighten the screws.



SEAT HEIGHT

The height of seat can be adjusted to four positions. Remove the seat and the bolt and nut from the seat post that holds the post in place. Set the seat post at the desired height setting and replace and tighten the bolt, making sure the screw passes completely through the seat post before tightening the nut.

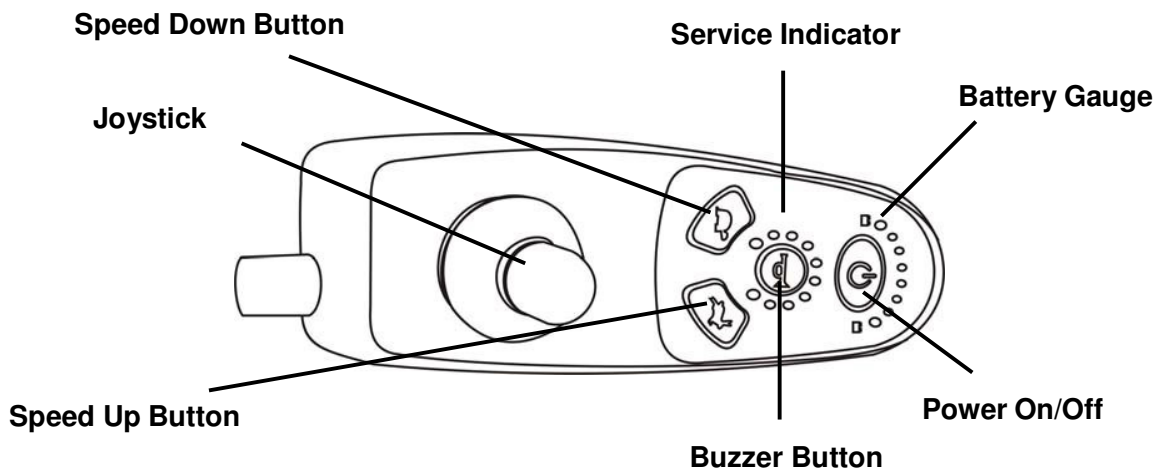


Operation

GENERAL INFORMATION

1. Make sure that the motor levers are in engaged mode by pressing down on the levers. (Parallel to the wheels)
2. Once seated on the wheelchair, turn on the power (Press the power button). The battery gauge will turn on.
3. We suggest the new users and the disabled operate the chair in low speed until comfortable with the chair and its use.
4. Start to steer, moving the joystick to drive forward, backward, left or right. If you want to stop the wheelchair, release the joystick—it will automatically return to the center position to stop the chair.
5. The chair's speed is automatically reduced by half when the chair is turning.
6. When driving the chair on a slope, push the joystick forward to keep the chair continuously climbing until you reach the top of the slope. While the chair is climbing a steep slope, position your body forward to prevent the front wheels from lifting.
7. When driving the chair down a slope, drive slowly and prepare for an emergency stop if you feel it difficult to control the chair. If the speed increases, release the joystick to slow down or to stop, then start again at a slower speed.

CONTROLLER



Battery Gauge

When the power chair is turned on, the battery gauge will light up as indicated below:

Green lights: the battery has full capacity.

Orange lights: do not drive power-chair for a long trip.

Red lights: the power-chair should be charged as soon as possible.

FREEWHEEL MODE

Your power wheelchair is equipped with two freewheel levers. These levers allow you to disengage the drive motors and maneuver the chair manually.

Warning!

DO NOT use your wheelchair while the drive motors are disengaged unless someone is there to push you. The chair could roll on its own causing injury!

To engage or disengage the freewheel feature:

1. Pull the freewheel levers upward to disengage the drive motors.
2. Push the freewheel levers downward, to engage the drive motors.

Caution

It is important to remember that when your power wheelchair is in freewheel mode, the braking system is disengaged.

SECURITY FUNCTIONS

1. The forward/backward/turn speed, acceleration and deceleration are programmable.
2. Thermal overload protection.
3. Current overload protection.
4. The fault diagnostics of the controller (see "Troubleshooting" section).
5. The power-chair will not operate while charging the batteries.

TRANSPORTING YOUR CHAIR

If you will be traveling with your power chair, you may find it necessary to use a lift/elevation product or portable ramp to aid in transportation. Drive DeVilbiss suggests you closely review the instructions, specifications, and safety information included with the lift/elevation product before using that product.

Warning!

Never sit on your power chair when it is being used in connection with any type of lift/elevation product or portable ramp. Your power chair was not designed with such use in mind and any damage or injury incurred from such use is not the responsibility of Drive DeVilbiss.

Drive DeVilbiss recommends that you do not remain seated in your power chair while traveling in a motor vehicle. The power chair should be stowed in the trunk of a car or in the back of a truck or van with batteries removed and properly secured.

Warning!

Always be sure your power chair and its batteries are properly secured when it is being transported. Batteries should be secured in an upright position and protective caps should be installed on the battery terminals. Batteries should not be transported with any flammable or combustible items.

Warning!

Do not sit on your power chair while it is in a moving vehicle.

POSITIONING BELTS

Your authorized Drive DeVilbiss Provider, therapist(s), and other healthcare professionals are responsible for determining your requirement for a positioning belt in order to operate your power chair safely.

Warning!

If you require a positioning belt to safely operate your power chair, make sure it is fastened securely in order to reduce the possibility of a fall from your power chair.

Warning!

The positioning belt is not designed for use as a seat belt in a motor vehicle. Nor is your power chair suitable for use as a seat in any vehicle. Anyone traveling in a vehicle should be properly belted into seats approved by the vehicle manufacturer.

USE ON INCLINES

Many buildings have wheelchair-accessible ramps with specified degrees of incline, designed for easy and safe access. Some ramps may have turning switchbacks (180-degree turns) that require you to have good cornering skills on your power chair. Proceed with extreme caution as you approach the downgrade of a ramp or other incline. DO NOT use on inclines greater than 6°. Take wide swings with your power chair's front wheels around any tight corners. If you do that, the power chair's rear wheels will follow a wide arc, not cut the corner short, and not bump into or get hung up on any railing corners.

When driving down a ramp, keep the power chair's speed adjustment set to the slowest speed setting to ensure a safely controlled descent. Avoid sudden stops and starts. When climbing an incline, try to keep your power chair moving. If you must stop, start up again slowly and then accelerate cautiously. When driving down an incline, set your power chair to the slowest speed setting and drive in the forward direction only. If your power chair starts to move down the incline faster than you anticipated or desired, allow it to come to a complete stop by releasing the joystick, then push the joystick forward slightly to ensure a safely controlled descent.

Warning!

When on any sort of an incline or decline, never place the power chair in freewheel mode while seated on it or standing next to it.

Warning!

When climbing an incline, do not zigzag or drive at an angle up the face of the incline. Drive your power chair straight up the incline. This greatly reduces the possibility of a tip or a fall. Always exercise extreme caution when negotiating an incline.

Warning!

You should not travel up or down a potentially hazardous incline (i.e., areas covered with snow, ice, cut grass, or wet leaves).

Warning!

If your power chair is equipped with a reclining seatback, do not attempt to negotiate inclines with the seat in a reclined position. Do not attempt to negotiate obstacles with the seat in a reclined position unless an attendant is present to help stabilize the chair. Failure to heed could result in the power chair tipping over.

Warning!

Never travel down an incline backward. Doing so may cause the power chair to tip. Always exercise extreme caution when negotiating an incline.

Excessively high cornering speeds can create the possibility of tipping. Factors which affect the possibility of tipping include, but are not limited to: cornering speed, steering angle (how sharply you are turning), uneven road surfaces, inclined road surfaces, riding from an area of low traction to an area of high traction (such as passing from a grassy area to a paved area – especially at high speed while turning), and abrupt directional changes. High cornering speeds are not recommended. If you feel that you may tip over in a corner, reduce your speed and steering angle (i.e., lessen the sharpness of the turn) to prevent your power chair from tipping.

Warning!

When cornering sharply, reduce your speed and maintain a stable center of gravity. This greatly reduces the possibility of a tip or fall.

BATTERY

Please charge the batteries after long distance driving to prolong the battery. If you don't drive the chair for a long period of time, then charge the batteries every week. Please use a maintenance/water-free battery to avoid trouble.

MOTOR

The carbon brush connector & brakes should be serviced regularly (at least once per year).

ELECTRICAL BRAKES

Testing of the electrical brakes should be carried out on a level floor with at least three feet of clearance space around the power chair.

Power-on the controller, and push the joystick forward slowly until you hear the electrical brake working. The power wheelchair may start to move. Immediately release the joystick, you must be able to hear each electrical brake within a few seconds. Repeat the test three times, pushing the joystick backward, left and right respectively.

TYRES

Check front/rear tyres regularly and replace them when worn out.

Suggestion

Tyre wear is not covered under your power wheelchair's warranty.

TROUBLESHOOTING

The diagnostic flash codes for your power wheelchair are designed to help you perform basic troubleshooting quickly and easily. A diagnostic flash code flashes from all 6 of the LED's located on the controller in the event one of the conditions listed below develops.

Flash Code	Description	Recommended Action
1	Motor Current Over Limit	Motor current is over the controller set limit. Release the joystick to neutral and try again
2	Battery	Try charging the batteries. Batteries need replacing. Check the battery cables and connections
3	Left Motor	Check left motor cables and connections
4	Right Motor	Check right motor cables and connections
5	Left Parking Brake	Check left parking brake cables and connections
6	Right Parking Brake	Check right parking brake cables and connections
7	User Interface	Display PCB fault. Consult a service agent.
8	Controller	Consult a service agent.
9	A-series Bus Communication	Consult a service agent.

If more than one fault exists, the fault having the highest priority (and lowest number of flashes) is indicated. All faults disable the controller and require the controller to be turned off then on again once the source of the fault is removed.

Batteries & Charging

Before using your power mobility product for the first time, you will need to charge your batteries for 8 – 10 hours to ensure that they are fully charged.

Suggestion

Drive DeVilbiss recommends that frequent users of their power mobility products charge their batteries overnight, 8 – 10 hours, to make certain they have a full charge each day.

Suggestion

Drive DeVilbiss recommends that infrequent users of their power mobility product charge their batteries once a week for 8 – 10 hours.

Drive DeVilbiss's battery chargers, specific to our product, are designed to not overcharge the batteries. You may leave your power mobility product plugged into the charger for longer than 8 – 10 hours without causing damage to the batteries.

In some instances Drive DeVilbiss's battery charger may show two green lights indicating that the batteries are fully charged—this is not always the case. A good rule of thumb is to charge your batteries 8 – 10 hours before each use to ensure that your power mobility product has a full charge.

CHARGER FEATURES

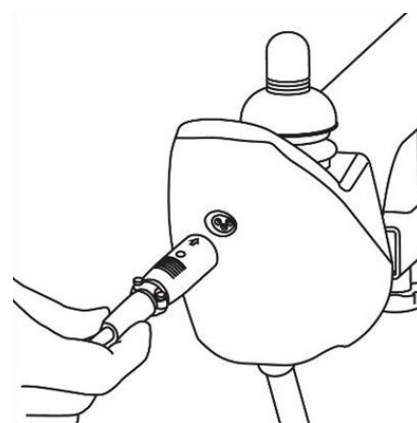
1. Ensures the battery connection automatically.
2. Monitoring all procedures until the battery is fully charged.
3. For protecting exhausted batteries, slow charge starts in the beginning then fast charge until it goes up to the normal voltage.
4. Compact, portable and light-weight.
5. Approvals: UL, CSA, CE, TUV, JAPAN (T-mark)

CHARGER OPERATION INSTRUCTIONS

Please follow these steps:

1. Only use the charger to recharge lead-acid batteries.
2. Keep the AC power switch off until the battery and charger have been connected.
3. Insert the end connector of the charger in to the socket on the front of the joystick.
4. Switch the AC power on. The LED will turn red to show that it is charging the batteries.
5. When the LED turns from Red to Green this indicates that the batteries are charged.

Note: the LED will also illuminate Green if the batteries are not connected. In the event of the LED not turning red on start up check the connection.



CHARGER USAGE ENVIRONMENT

1. Please keep the charger at least 2 inches away from other objects when charging.
2. Do not use it on wet and dirty surfaces.
3. Do not place the charger on the battery.

NOTES

1. Ensure the output-DC voltage corresponds to the battery type and voltage. Otherwise it may cause an explosion.
2. Switch off the charger before connecting the charger and the battery.
3. Do not expose the charger to the rain, water or near flammable materials. Do not store the charger in humid places or in a closed area.
4. The warranty is given for use within normal operating conditions; it does not cover accidental damage, or problem caused by user's neglect or misuse.

Specifications

Max. Weight Capacity	250 lbs. / 113kg
Maximum Speed	4 mph
Estimated Range	6 miles
Maximum Grade/Incline	6°
Turning Radius	29" / 74cm
Ground Clearance	2" / 5cm
Overall Dimensions	
Length	33" / 84cm
Width	24" / 61cm
Height	33-36" / 84-91cm
Seat Dimensions	
Width	16" / 41cm
Depth	15" / 38cm
Back	14" / 36cm
Armrest to Seat	7" / 18cm
Power	
Motor	Two 24V x 120W
Controller	Dynamic A50A
Batteries	Two DC12V x 21AH
Battery Charger	2 Amp, Offboard
Brakes	
Electromagnetic	
Freewheel Mode	Yes
Tyres (Foam-filled)	
Front Casters:	8" x 2" (20 x 5cm)
Rear Drive Wheels:	9" x 3" (23 x 5cm)
Weights	
Weight without Batteries	79 lb / 36kg
Weight with Batteries	98 lb / 39kg
Heaviest Piece Weight (front section w/ batteries)	52 lb / 21kg

User's weight, road conditions, battery charge, etc. will influence performance.

Drive DeVilbiss reserves the right to modify the specifications if necessary. The final specifications are subject to the individual power wheelchair your purchase from your dealer.

Limited Warranty

For the periods listed below, beginning at the date of purchase, Drive DeVilbiss will repair or replace, at our option to the original purchaser, free of charge, any of the following parts found upon examination by an authorized representative of Drive DeVilbiss to be defective in materials and/or workmanship.

Sixty (60) Month Limited Warranty

Main frame assemblies, including:

- Main frame
- Wheel forks
- Seat post
- Springs and suspension

Thirty-Six (36) Month Limited Warranty

- Metal seat brace, bracket and bracket lever

Thirteen (13) Month Limited Warranty

Electronic components, including:

- Charger assembly
- Controller
- Joystick
- PC board
- Throttle

Other components, including:

- Brakes (electronic function ONLY)
- Bearings and bushings
- Electrical harness
- Motor/gearbox assembly
- Plastic components, excluding body
- Front rigging mounting brackets

Six (6) Month Limited Warranty

- Batteries (Drive DeVilbiss will only replace batteries once within the 6 month warranty period.)

Additional Components

Items not mentioned or listed are covered at the discretion of Drive DeVilbiss. Any accessories, standard or optional, supplied by Drive DeVilbiss, are covered for a period of one year from the date of purchase with the particular unit.

- Plastic shrouds and footrests
- Upholstery and Seating
- Brake pads
- Tyres and tubes
- Floor mats
- Swing arm
- Plastic connections
- Motor brushes
- Armrest Pads
- Fuses/Bulbs
- Anti-tip wheels
- Metal connection pins, fasteners, nuts, bolts
- knobs

Reconditioned Units Warranty

All reconditioned units are covered by a 90-day warranty from Drive DeVilbiss effective from the date of purchase.

Warranty Exclusions

Full product warranty is extended to the original purchaser for new consumer purchases only. This warranty is not extended to third-party payers or renters for whom a separate rental agreement exists. Please contact your authorized Drive DeVilbiss provider for further information on rental product warranty.

Drive DeVilbiss does not provide warranty on any of the following items which may require replacement due to the normal wear and tear of day-to-day usage.

If the following items are found to be defective or damaged immediately after the product is removed from the box, Drive DeVilbiss will repair or replace, at our option to the original purchaser, free of charge, these items within 30 days of the product being removed from the box.

Exclusions also include components with damage caused by:

- Contamination
- Abuse, misuse, accident or negligence
- Excessive wear
- Battery fluid spillage or leakage
- Commercial use, or use other than normal
- Improper operation, maintenance or storage
- Exceeding the specified weight capacity of the unit
- Acts of Nature, such as lightning strike, earthquake, etc.
- Accessories other than those supplied or approved by Drive DeVilbiss
- Circumstances beyond the control of Drive DeVilbiss including, but not limited to, seat flattening, burn holes, split seams, cracking or lost hardware.
- Labor, service calls, shipping and other charges incurred for repair of the product, unless specifically authorized by Drive DeVilbiss.
- Repairs and/or modifications made to any part without specific consent from Drive DeVilbiss.

NOTE: Gradual deterioration in performance because the battery has been left in the discharged state, left in cold conditions for an extended period of time, or work out through heavy use is not covered.

Service Checks and Warranty Service

Warranty service must be performed by an authorized Drive DeVilbiss provider. Do not return faulty parts to Drive DeVilbiss without prior written authorization. All transportation costs and shipping damage incurred while submitting parts for repair or replacement are the responsibility of the purchaser.

Failure to follow the instructions, warnings and notes in the owner's manual and those located on your Drive DeVilbiss product can result in personal injury or product damage and will void Drive DeVilbiss's product warranty.

There is no other express warranty.

Implied Warranties

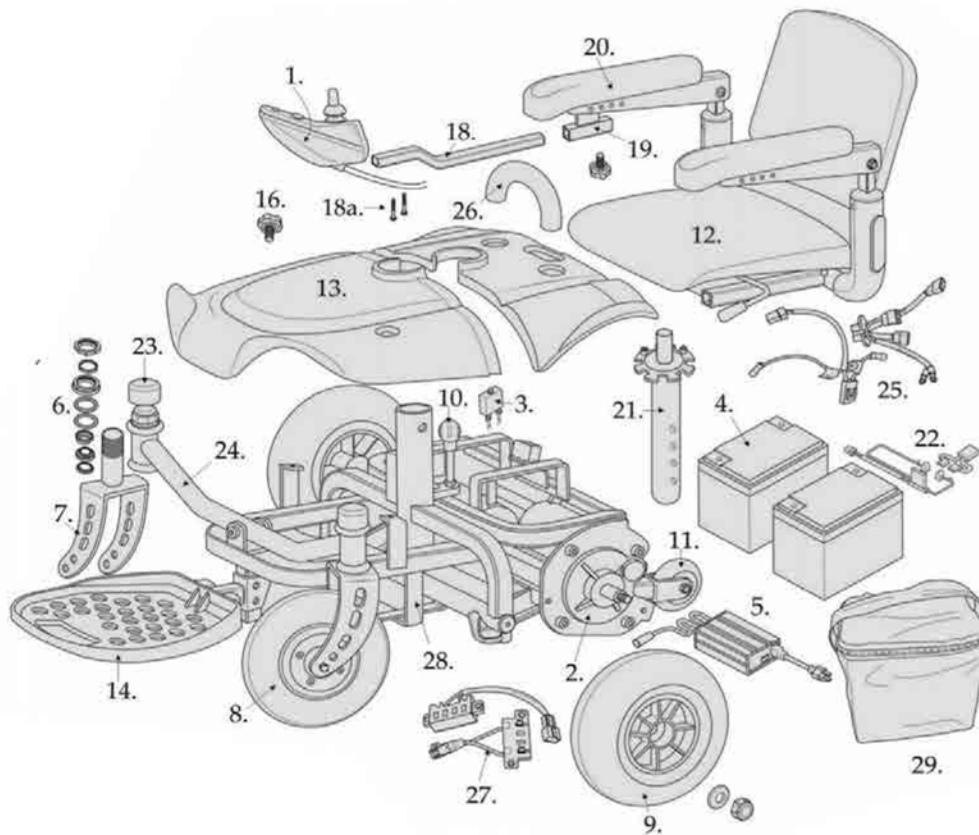
Implied warranties, including those of merchantability and fitness for a particular purpose, are limited to one (1) year from the date of purchase and to the extent permitted by law. Any and all other implied warranties are excluded. This is the exclusive remedy. Liabilities for consequential damages under any and all warranties are excluded.

Some states do not allow limitations on how long an implied warranty lasts or do not allow the exclusion or limitation of incidental or consequential damages. The above limitation or exclusion may not apply to you.

This warranty gives you specific rights and you may also have other rights which vary from state to state.

Please fill out and return the product registration card to Drive DeVilbiss. This will aid Drive DeVilbiss in providing the best possible technical and customer service.

Spare Parts Available



#	CODE	DESCRIPTION
1	LPW182001	JOYSTICK ONLY
	LPW18824	CONTROLLER ONLY
2	LDR42002-05FN	LHS MOTOR
2	LDR42002-06FN	RHS MOTOR
3	LRM302107	CIRCUIT BREAKER
4	12V17AH	BATTERY
5	LDR4-2A-UK	CHARGER
6	LDR410006-01	BEARING ASSM
7	LDR420006	CASTOR FORK ASSM
8	LDR420007-02	FRONT CASTOR (BLACK)
9	LDR420008-02	REAR WHEEL (BLACK)
10	LDR420010	FRAME LOCKING BOLT ASSM
11	LRC402410	ANTI TIP WHEEL
12	LDR420011-01	SEAT ASSM
13	LDR420012-01B	FRONT SHROUD (BLUE)
13	LDR420012-01R	FRONT SHROUD (RED)
13	LDR420012-02BFN	REAR SHROUD (BLUE)
13	LDR420012-02RFN	REAR SHROUD (RED)

#	CODE	DESCRIPTION
14	LDR410016	FOOTPLATE
15	NOT APPLICABLE	
16	LDR410115-03	SHROUD KNOB
17	NOT APPLICABLE	
18	LDM400001-04	CONTROLLER ARM
18A	LDM400001-07	CONTROLLER ARM SCREWS
19	LDM400001-05	CONTROLLER ARM MOUNT
20	LDR420016L	LEFT HAND ARM
20	LDR420016R	RIGHT HAND ARM
21	LDR420000-FN	SEAT POST
22	LDR420000-01	BATTERY CABLE
23	LDM400013-02	NUT CAP
24	LDR420000-26	FRONT ARTICULATING BAR
25	LDR420000-12	WIRING LOOM
26	LDR420000-19	HANDLE
27	LDR420001-FN	CONTACT BLOCK SEAT
28	LDR420002	FRONT FRAME
29	LDR420003-01	BATTERY BAG

The Team at Drive DeVilbiss develops its products to give our customers the freedom to live independently. This encompasses their daily home life and provides them with the opportunity to enjoy an outing with family and friends. Our goal is to develop a range that will provide individuals with a chance to enjoy every day life.

Dealer Stamp



Drive DeVilbiss Healthcare Ltd, Heathfield Lane,
Birkenshaw, West Yorkshire, BD11 2HW

Tel: 0845 0600 333

Fax: 0845 0600 334

Email: info@drivedevilbiss.co.uk

www.drivedevilbiss.co.uk