

# Jazzy 1121

Owner's Manual



**How a Power Chair Should Feel!™**

**Pride**

Mobility Products Australia Pty. Ltd.

21 Healey Road  
Dandenong, 3175  
Victoria, Australia

ACN# 088 609 661

[www.pridemobility.com](http://www.pridemobility.com)

# SAFETY GUIDELINES

**Please read and follow all instructions in this owner's manual before attempting to operate your power chair for the first time. If there is anything in this manual you do not understand, or if you require additional assistance for set-up, contact your authorised Pride provider.**

**Using your Pride product safely depends upon your diligence in following the warnings, cautions, and instructions in this owner's manual. Using your Pride product safely also depends upon your own good judgement and/or common sense, as well as that of your provider, caregiver, and/or healthcare professional. Pride is not responsible for injuries and/or damage resulting from any person's failure to follow the warnings, cautions, and instructions in this owner's manual. Pride is not responsible for injuries and/or damage resulting from any person's failure to exercise good judgement and/or common sense.**

**The symbols below are used throughout this owner's manual to identify warnings and cautions. It is very important for you to read and understand them completely.**



**WARNING!** Failure to heed the warnings in this owner's manual may result in personal injury.



**CAUTION!** Failure to heed the cautions in this owner's manual may result in damage to your power chair.

# C O N T E N T S

|                                  |    |
|----------------------------------|----|
| I. INTRODUCTION .....            | 4  |
| II. SAFETY .....                 | 6  |
| III. THE JAZZY 1121 .....        | 12 |
| IV. ASSEMBLY .....               | 17 |
| V. COMFORT ADJUSTMENTS .....     | 18 |
| VI. BATTERIES AND CHARGING ..... | 22 |
| VII. OPERATION .....             | 26 |
| VIII. CARE AND MAINTENANCE ..... | 33 |
| IX. OPTIONAL ACCESSORIES .....   | 38 |
| X. WARRANTY .....                | 39 |

# I . I N T R O D U C T I O N

## INTRODUCTION

Welcome to Pride Mobility Products Australia Pty Ltd. (Pride). Congratulations on the purchase of your new Jazzy Power Chair. The Jazzy design combines the most advanced state-of-the-art components with modern, attractive styling. We are certain that the design features and trouble-free operation of your new Jazzy will add convenience to your daily living.

At Pride, your safety is important to us. Please read and follow all of the instructions in this manual before you attempt to operate your power chair for the first time. These instructions were produced for your benefit. Your understanding of these instructions is essential for the safe operation of your new power chair.

Pride is not liable for damage to property or personal injury arising out of unsafe use of a power chair. Pride is also not liable for any property damage or personal injury arising out of the failure of any person and or/user to following the instructions and recommendations set forth in this manual or any other instructions or recommendations contained in other power chair related literature issued by Pride or contained on the power chair itself.

This owner's manual is compiled from the latest specifications and product information available at the time of publication. We reserve the right to make changes as they become necessary. Any changes to our products may cause slight variations between the illustrations and explanations in this manual and the product you have purchased.

If you experience any problems with your power chair that you are unable to solve, or if you do not feel capable of safely following any of the instructions and/or recommendations as contained in this manual, please contact your authorised Pride provider for assistance.

Once you understand how to operate and take care of your power chair, we are certain that it will give you years of trouble-free service and enjoyment.

### **Information Exchange**

We want to hear your questions, comments, and suggestions about this manual. We would also like to hear about the safety and reliability of your new Jazzy Power Chair, and about the service you received from your authorised Pride provider.

Please notify us of any change of address, so we can keep you apprised of important information about safety, new products, and new options that can increase your ability to use and enjoy your power chair.

Pride Mobility Products Australia Pty. Ltd.  
21Healey Road  
Dandenong, 3175  
Victoria, Australia

# I . I N T R O D U C T I O N

## **Pride Owners Club**

As an owner of a Pride product, you are invited to register your product's warranty and enroll in the Pride Owners Club. You may do so by filling out and returning your enclosed registration card or by visiting Pride's web site at [www.pridemobility.com](http://www.pridemobility.com). As a registered member, each time you visit our site, you will have access to the most interactive and honest educational venue available today for people with mobility needs, their families, and friends.

From our home page, click on the button that reads "Owners Club" to enter a page dedicated to current and potential Pride product owners. You will gain access to interviews, stories, recreation ideas, daily living tips, product and funding information, and interactive message boards. These message boards invited you to communicate with other Pride customers as well as Pride representatives who are available to assist you with any questions or concerns you may have.

## **My Authorised Pride Provider Is:**

Name: \_\_\_\_\_

Address: \_\_\_\_\_

Phone Number: \_\_\_\_\_

## **Quick Reference Information:**

Purchase Date: \_\_\_\_\_

*NOTE: If you ever lose or misplace your product registration card or your copy of this manual, contact us and we will be glad to send you a new one immediately.*

# II. SAFETY

## SAFETY



**WARNING!** Do not operate your new power chair for the first time without completely reading and understanding this owner's manual.

Your power chair is a state-of-the-art life-enhancement device designed to increase mobility. Pride provides an extensive variety of products to best fit the individual needs of the power chair user. Please be aware that the final selection and purchasing decision regarding the type of power chair to be used is the responsibility of the power chair user, who is capable of making such a decision, and his/her healthcare professional (i.e., medical doctor, physical therapist, etc.).

The contents of this manual are based on the expectation that a mobility device expert has properly fitted the power chair to the user and has assisted the prescribing healthcare professional and/or the authorised Pride provider in the instruction process for the use of the product.

There are certain situations, including some medical conditions, where the power chair user will need to practice operating the power chair in the presence of a trained attendant. A trained attendant can be defined as a family member or care professional specially trained in assisting a power chair user in various daily living activities.

As you begin using your power chair during daily activities, you will probably encounter situations in which you will need some practice. Simply take your time and you will soon be in full and confident control as you maneuver through doorways, on and off of elevators, up and down ramps, and over moderate terrain.

Below are some precautions, tips, and other safety considerations that will help the user become accustomed to operating the power chair safely.

### Modifications

Pride has designed and engineered your power chair to provide maximum mobility and utility. A wide range of accessories is available from your authorised Pride provider to further customise your power chair to better suit your needs and/or preferences. However, under no circumstances should you modify, add, remove, or disable any feature, part, or function of your power chair.



**WARNING!** Do not modify your power chair in any way not authorised by Pride. Unauthorised modifications may result in personal injury and/or damage to your power chair.

### Pre-Ride Safety Check

Get to know the feel of your power chair and its capabilities. Pride recommends that you perform a safety check before each use to make sure your power chair operates smoothly and safely. See VIII. "Care and Maintenance."

Perform the following inspections prior to using your power chair:

- Check for proper tyre inflation. Maintain **30 - 35 psi** in each tyre (if equipped with pneumatic tyres).
- Check all electrical connections. Make sure they are tight and not corroded.
- Check all controller connections to the electronics tray. Make sure they are secured properly.
- Check the brakes. See VIII. "Care and Maintenance."
- Check battery charge. See VI. "Batteries and Charging."

# II. SAFETY

*NOTE: If you discover a problem, contact your authorised Pride provider for assistance.*

## Weight Limitations

Your power chair is rated for a maximum 136 kg weight limit.



WARNING! Exceeding the weight limit voids your warranty and may result in personal injury and/or damage to your power chair. Pride will not be held responsible for injuries and/or property damage resulting from failure to observe weight limitations.

WARNING! Do not carry passengers on your power chair. Carrying passengers on your power chair may result in personal injury and/or property damage.

## Tyre Inflation

If your power chair is equipped with pneumatic tyres, you should check or have the air pressure checked at least once a week. Proper inflation pressures will prolong the life of your tyres and help ensure the smooth operation of your power chair.



WARNING! It is important that 30 - 35 psi tyre pressure be maintained in pneumatic tyres at all times. Do not underinflate or overinflate your tyres. Low tyre pressure may result in loss of control, and overinflated tyres may burst. Failure to maintain 30 - 35 psi tyre pressure in pneumatic tyres at all times may result in tyre and/or wheel failure, causing serious personal injury and/or damage to your power chair.

WARNING! Inflate your power chair drive tyres from a regulated air source with an available pressure gauge. Inflating your tyres from an unregulated air source could overinflate them, resulting in a burst tyre and/or personal injury.

## Incline Information

More and more buildings have ramps with specified degrees of inclination, designed for easy and safe access. Some ramps may have turning switchbacks (180-degree turns) that require you to have good cornering skills on your power chair.

- Proceed with extreme caution as you approach the downgrade of a ramp or other incline.
- Take wide swings with your power chair's front wheels around any tight corners. If you do that, the power chair's rear wheels will follow a wide arc, not cut the corner short, and not bump into or get hung up on any railing corners.
- When driving down a ramp, keep the power chair's speed adjustment set to the slowest speed setting to ensure a safely controlled descent. See VII. "Operation."
- Avoid sudden stops and starts.

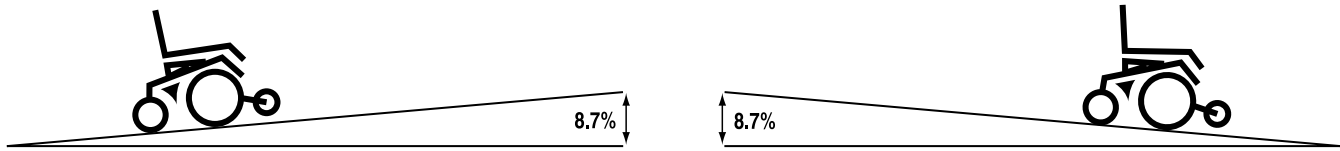
When climbing an incline, try to keep your power chair moving. If you must stop, start up again slowly and then accelerate cautiously. When driving down an incline, set your power chair to the slowest setting and drive in the forward direction only. If your power chair starts to move down the incline faster than you anticipated or desired, allow it to come to a complete stop by releasing the joystick, then push the joystick forward slightly to ensure a safely controlled descent. Pride recommends that the maximum slope of an incline you attempt to safely ascend or descend on your power chair does not exceed 8.7%.



WARNING! While your power chair may be capable of climbing or descending a slope steeper than 8.7%, any attempt to climb or descend a slope steeper than 8.7% may put your power chair in an unstable position and cause it to tip, resulting in personal injury.

WARNING! When climbing an incline, do not zigzag or drive at an angle up the face of the incline. Drive your power chair straight up the incline. This greatly reduces the possibility of a tip or a fall. Always exercise extreme caution when negotiating an incline.

# II. SAFETY



**Figure 1. Maximum Safe Angle (Ascending and Descending)**



WARNING! You should not travel up or down a potentially hazardous incline (i.e., areas covered with snow, ice, cut grass, or wet leaves).

WARNING! When on any sort of an incline or decline, never place the power chair in freewheel mode while seated on it or standing next to it. Doing so may result in personal injury and/or damage to your power chair.

## Braking Information

Your power chair is equipped with two powerful brake systems:

1. Regenerative — uses electricity to rapidly slow the vehicle when the joystick returns to the center/stop position.
2. Disc Park Brake — activates mechanically after regenerative braking slows the vehicle to near stop, or when power is removed from the system for any reason.

## Cornering Information

While your power chair is equipped with rear caster wheels in back and anti-tip wheels in front, excessively high cornering speeds can still create the possibility of tipping. Factors which affect the possibility of tipping include, but are not limited to: cornering speed, steering angle (how sharply you are turning), uneven road surfaces, inclined road surfaces, riding from an area of low traction to an area of high traction (such as passing from a grassy area to a paved area – especially at high speed while turning), and abrupt directional changes. High cornering speeds are not recommended. If you feel that you may tip over in a corner, reduce your speed and steering angle (i.e., lessen the sharpness of the turn) to prevent your power chair from tipping.



WARNING! When cornering sharply, reduce your speed. This greatly reduces the possibility of a tip or fall. To avoid personal injury and/or property damage, always exercise common sense when cornering.

## Outdoor Driving Surfaces

Your power chair is designed to provide optimum stability under normal driving conditions—dry, level surfaces composed of concrete, blacktop, or asphalt. However, Pride recognises that there will be times when you will encounter other surface types. For this reason, your power chair is designed to perform admirably on packed soil, grass, and gravel. Feel free to use your power chair safely on lawns and in park areas.

- Reduce your power chair's speed when driving on uneven terrain and/or soft surfaces.
- Avoid tall grass that can entangle the running gear.
- Avoid loosely packed gravel and sand.
- If you feel unsure about a driving surface, avoid that surface.



# II. SAFETY

## Freewheel Mode

Your power chair is equipped with a manual freewheel lever to allow for manual maneuverability by a trained attendant. For more information about how to place your power chair into and out of freewheel mode, see III. "The Jazzy 1121."

WARNING! Do not use your power chair in freewheel mode without an attendant present. Personal injury may result.



WARNING! Do not attempt to personally place your power chair in freewheel mode while seated on it. Personal injury may result. Ask an attendant for assistance if necessary.

WARNING! Do not place your power chair in freewheel mode while on an incline. The chair could roll uncontrollably on its own, causing personal injury.

## Stationary Obstacles (Steps, Kerbs, etc.)

Proceed with extreme caution when driving near raised surfaces, unprotected ledges, and/or drop-offs (kerbs, porches, stairs, etc.).



WARNING! Do not attempt to have your power chair climb or descend an obstacle that is higher than 5 cm unless you have the assistance of an attendant.

WARNING! Do not attempt to have your power chair proceed rearward down any step, kerb, or other obstacle. This may cause the power chair to tip and cause personal injury.

## Public Streets and Roadways



WARNING! You should not operate your power chair on public streets and roadways. Be aware that it may be difficult for traffic to see you when you are seated on your power chair. Obey all local pedestrian traffic rules. Wait until your path is clear of traffic, and then proceed with extreme caution.

## Stairs and Escalators

Power chairs are not designed to travel up or down stairs or escalators. Always use a lift.



WARNING! Never use your power chair to negotiate steps or escalators. You may cause injury to yourself and to others and/or damage your power chair.

## Doors

- Determine if the door opens toward or away from you.
- Drive your power chair gently and slowly forward to push the door open. Or drive your power chair gently and slowly rearward to pull the door open.

# II. SAFETY

## Elevators

Modern elevators have a door edge safety mechanism that, when pushed, reopens the elevator door(s).

- If you are in the doorway of an elevator when the door(s) begin to close, push on the rubber door edge or allow the rubber door edge to contact the power chair and the door will reopen.
- Use care that pocketbooks, packages, or power chair accessories do not become caught in elevator doors.

## EMI & RFI

Laboratory tests have shown that radio waves can cause unintended motion of electric mobility vehicles. Radio waves are a form of electromagnetic energy (EM). When EM adversely affects the operation of an electronic device, it is called Electromagnetic Interference (EMI) or Radio Frequency Interference (RFI).

## Lift Products

If you will be traveling with your power chair, you may find it necessary to use a lift product to aid in transportation. Pride recommends that you closely review the instructions, specifications, and safety information set forth by the manufacturer of the lift/elevation product before using that product.

## Motor Vehicle Transport

Currently, there are no standards approved for tie-down systems in a moving vehicle of any type to transport a person while seated in a power chair.

## Transfers

Transferring onto and off of your power chair requires a good sense of balance. Always have an attendant or healthcare professional present while learning to properly transfer yourself.

To eliminate the possibility of injury, Pride recommends that you or a trained attendant perform the following tasks before attempting a transfer:

- Turn the power off. See VII. "Operation."
- Ensure your power chair is not in freewheel mode. See III. "The Jazzy 1121."
- Turn both rear caster wheels toward the transfer destination to improve power chair stability during transfer.
- Make sure both armrests are flipped up or removed from your power chair.
- Flip the footrest up, or move the leg rests aside; this will help to keep your feet from getting caught on the footrest or the leg rests during the transfer.
- Reduce the distance between your power chair and the object you are transferring onto.

WARNING! Before transferring, position yourself as far back as possible in the power chair seat to prevent the power chair from tipping forward during transfer and causing injury.



WARNING! Avoid using your armrests for weight bearing purposes. Such use may cause the power chair to tip and cause personal injury.

WARNING! Avoid putting all of your weight on the footrest. Such use may cause the power chair to tip and cause personal injury.

# II. SAFETY

Although your power chair may be equipped with a positioning belt, this belt is not designed to provide proper restraint during motor vehicle transport. Anyone traveling in a motor vehicle should be properly secured in the motor vehicle seat with safety belts securely fastened.



WARNING! Do not sit on your power chair while it is in a moving vehicle. Personal injury and/or property damage may result.

WARNING! Always be sure your power chair and its batteries are properly secured when it is being transported. Failure to do so may result in personal injury and/or damage to your power chair.

## Positioning Belts

Your authorised Pride provider, therapist(s), and other healthcare professionals are responsible for determining your requirement for a positioning belt in order to operate your power chair safely. For information on how to attach a positioning belt, refer to the Basic Operating Instructions that came with the seat.



WARNING! If you require a positioning belt to safely operate your power chair, make sure it is fastened securely. Serious personal injury may result if you fall from the power chair.

## Inclement Weather Precautions



WARNING! Pride recommends that you do not operate your power chair in icy or slippery conditions or on salted surfaces (i.e., walks or roads). Such use may adversely affect the performance and safety of your power chair, resulting in an accident and personal injury.

WARNING! Do not expose your power chair to any type of moisture at any time (rain, snow, mist, or wash). Such exposure can damage your power chair. Never operate your power chair if it has been exposed to moisture until it has dried thoroughly.

## Battery Disposal and Recycling

If you encounter a damaged or cracked battery, immediately enclose it in a plastic bag and call your authorised Pride provider immediately for instructions on disposal. Your authorised Pride provider will also have the necessary information on battery recycling, which is our recommended course of action.

## Controller Programming

Your power chair is equipped with a programmable controller. Changes to the controller's program can be made using a special programmer. This programmer is available only to authorised Pride providers.

# III. THE JAZZY 1121

## THE JAZZY 1121

The Jazzy has two main assemblies: the seat and the power base. See figures 2 and 3. Typically, the seat assembly includes the armrests, seatback, and seat base. The Jazzy seat may also have some optional accessories attached to it, such as a basket, a cane/crutch holder, or a cup holder. See IX. "Optional Accessories."

The power base is the heart of the Jazzy. The power base assembly includes two motor/brake assemblies, two drive wheels, two anti-tip wheels, two caster wheels, two batteries, and wiring harnesses.

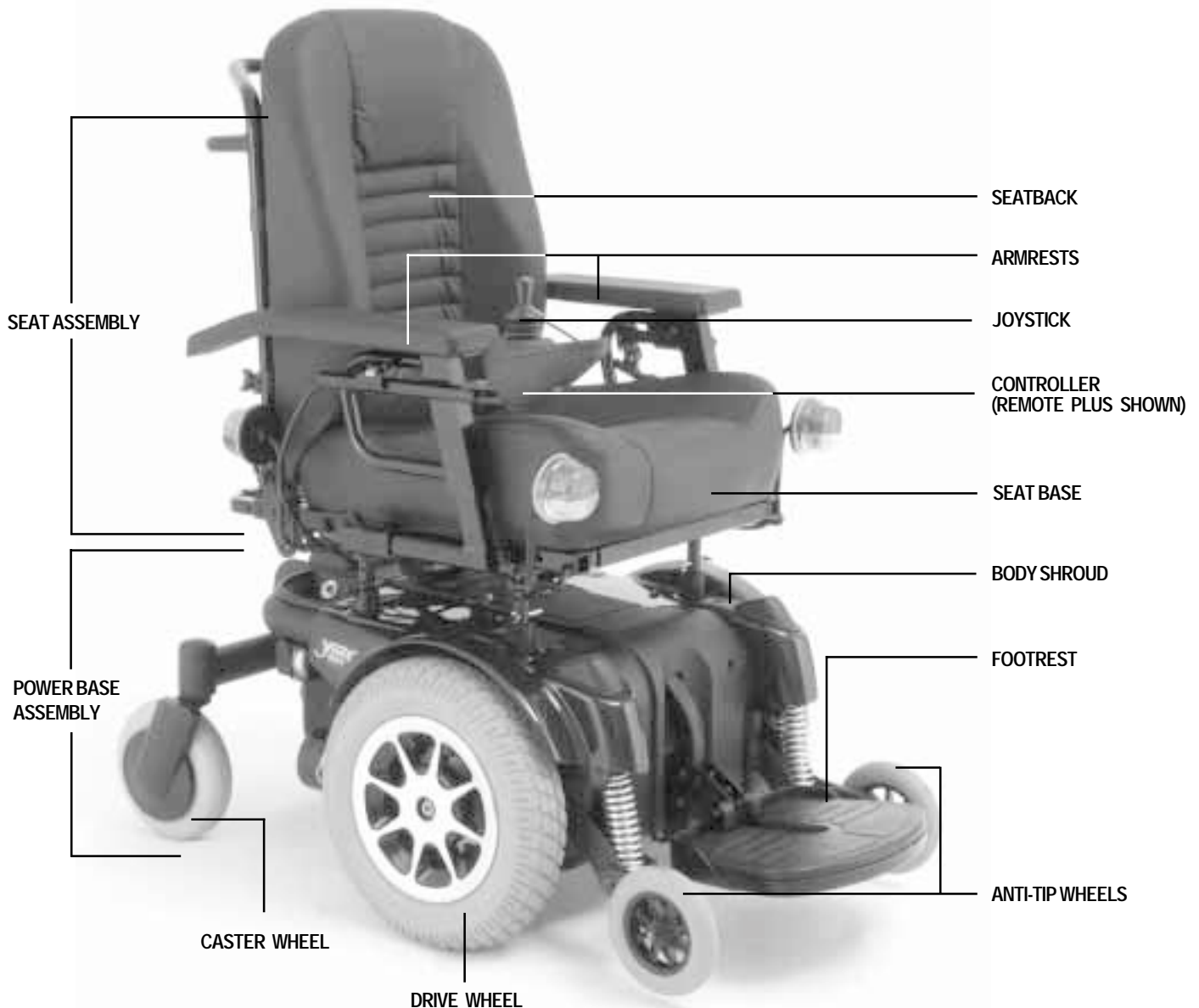


Figure 2. The Jazzy 1121 (Shown with optional lighting system.)

# III. THE JAZZY 1121

| SPECIFICATIONS     |   |
|--------------------|---|
| Suspension:        | Full suspension w/ Active-Trac  |
| Drive Wheels:      | 35.5 cm, pneumatic, center-mounted (solid tyres are optional)   |
| Casters Wheels:    | 20 cm, solid, rear articulating   |
| Anti-tip Wheels:   | 15 cm, solid, front mounted   |
| Maximum Speed:     | Up to 8 km/h  |
| Brakes:            | "Intelligent Braking," electronic regenerative, disc park brake   |
| Ground Clearance:  | 8.5 cm  |
| Turning Radius:    | 52 cm   |
| Overall Size:      | Length: 98 cm<br>Width: 60.5 cm   |
| Seating Options:   | Export Seat<br>Synergy Seat<br>Versa Tilt   |
| Drivetrain:        | Two motor, mid-wheel  |
| Batteries:         | Two 12-volt, NF-22 batteries  |
| Range:             | Up to 40 km   |
| Battery Charger:   | 5-amp Onboard<br>5-amp Off-board (optional)   |
| Electronics:       | 70-amp P & G Remote Plus Controller<br>70-amp Dynamic Europa Remote Controller<br>70-amp P & G VSI Controller     |
| Weight Capacity:   | 136 kg  |
| Component Weights: | Base: 61.5 kg<br>Batteries: 17 kg each  |
| Warranty:          | Lifetime limited warranty on frame<br>Two-year warranty on electronics<br>Eighteen-month warranty on drive motors |

# III. THE JAZZY 1121

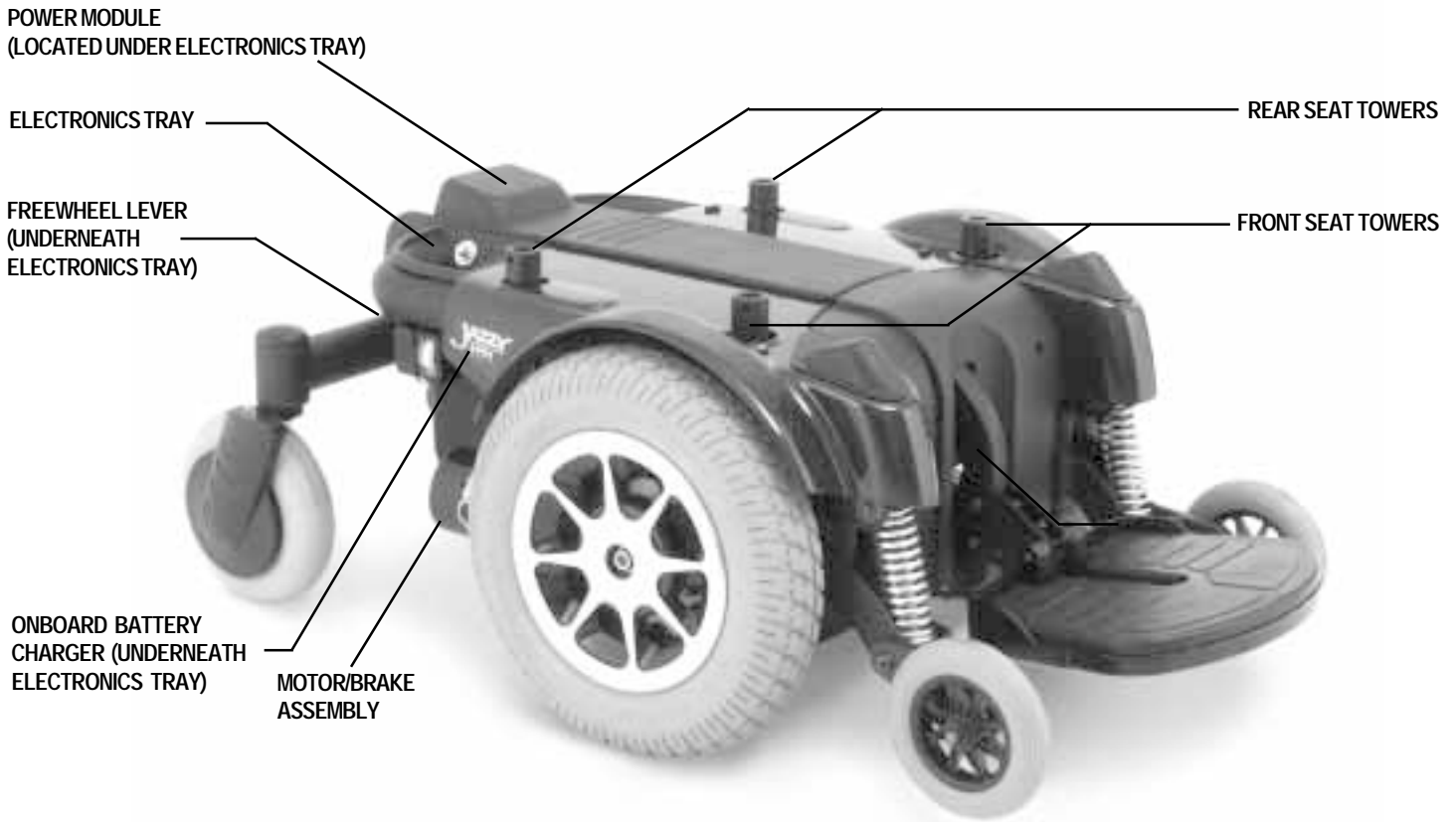


Figure 3. The Jazzy 1121 Power Base

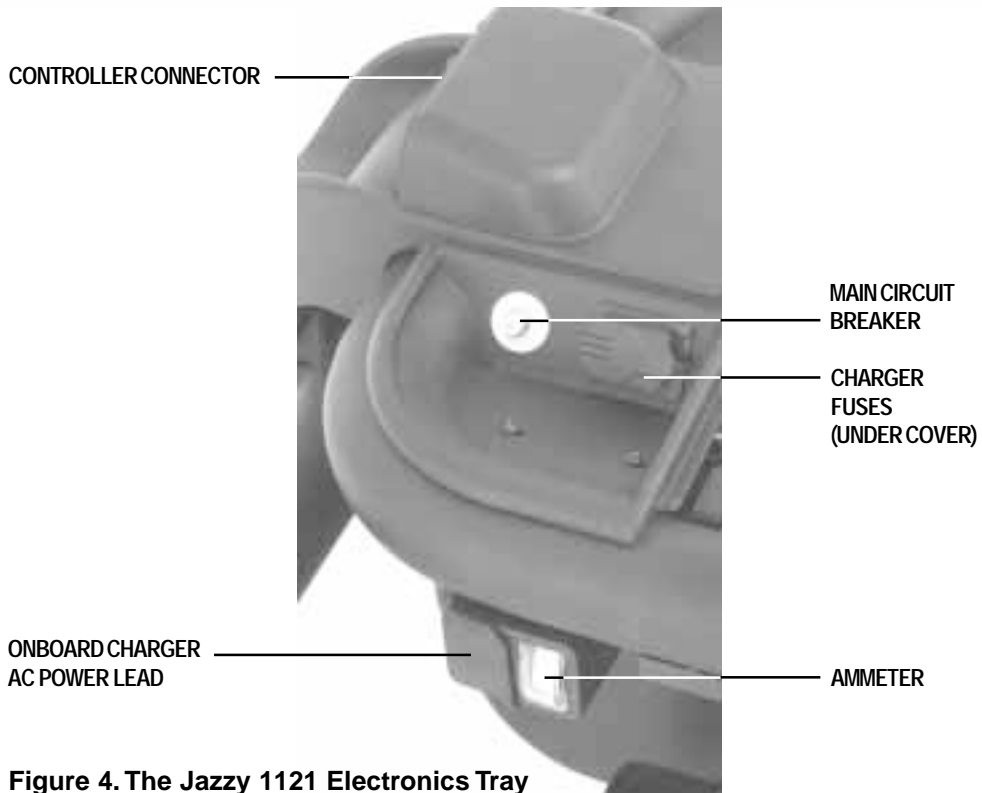


Figure 4. The Jazzy 1121 Electronics Tray

# III. THE JAZZY 1121

## Electronics Tray

The electronics tray is located on the back of the power base. See figures 3 and 4. The ammeter, the onboard charger AC power lead, the main circuit breaker, the controller connector, and the charger fuse are all located on the electronics tray.

**Ammeter:** The ammeter displays the charger's current output in amps. See VI. "Batteries and Charging."

**Onboard Charger AC Power Lead Receptacle:** This is where the onboard charger AC power lead plugs into the power base.

**Main Circuit Breaker:** The main circuit breaker is a safety feature built into your Jazzy. When the batteries and the motors are heavily strained (e.g., from excessive loads), the main circuit breaker trips to prevent damage to the motors and the electronics. If the circuit trips, allow your Jazzy to "rest" for approximately one minute. Next, push in the circuit breaker button, turn on the controller, and continue normal operation. If the main circuit breaker continues to trip repeatedly, contact your authorised Pride provider.

**Controller Connector:** This is where the controller connects to the power base.

**Charger Fuse:** The charger fuse protects the ammeter from current overload. There are two fuses on the utility tray. The top one is the charger fuse. The bottom one is a spare.

## Active-Trac Suspension

The Jazzy 1121 is equipped with Active-Trac Suspension (ATS). ATS is a suspension system designed to make your Jazzy traverse different types of terrain and obstacles while maintaining smooth operation. With ATS, your front anti-tip wheels work in conjunction with your motor suspension to help you maneuver over obstacles in excess of 10 cm (4 in.) in height.

As your front anti-tip wheels come in contact with an obstacle, the front anti-tip wheel assembly is drawn upward. At the same time, your motors are forced downward. This allows the motors to push the Jazzy 1121 over an obstacle without the possibility of becoming "hung up."

ATS also helps in day-to-day operating conditions. For instance, when you release the joystick, your Jazzy begins to slow down. As the chair slows down, the front anti-tip wheels will automatically drop toward the ground. This will reduce the forward tip that is typically encountered with center-wheel drive chairs.

# III. THE JAZZY 1121

## Manual Brake Release Lever

For your convenience, your Jazzy is equipped with a manual brake release lever. See figures 5 and 6. This lever allows you to disengage the drive motors and maneuver the chair manually.



**WARNING!** Do not use your Jazzy while the drive motors are disengaged unless you are in the presence of an attendant! Do not disengage the drive motors when your Jazzy is on an incline. The chair could roll down on its own, causing injury!



**CAUTION!** It is important to remember that when your Jazzy is in freewheel mode, the braking system is disengaged.

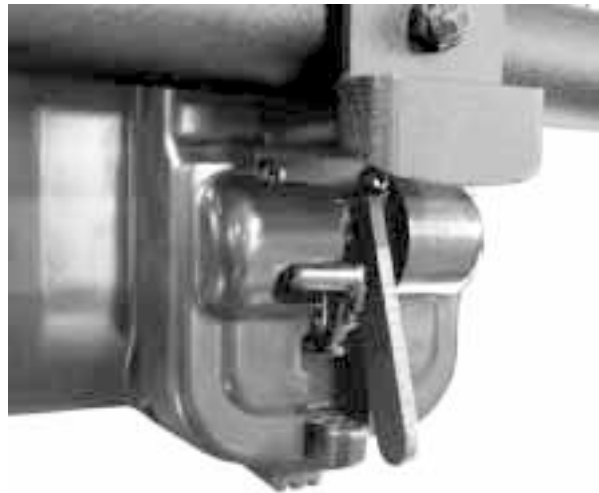
### To operate the manual brake release lever:

1. Push the safety latch in and pull up the manual brake release lever for freewheel mode (drive disengaged.) See figure 5.
2. Push the manual brake release lever down for drive mode (drive engaged.) See figure 6.

*NOTE: If the lever is difficult to move in either direction, rock your Jazzy back and forth slightly. The lever should then move to the desired position.*



**Figure 5. Freewheel Mode (Drive Disengaged)**



**Figure 6. Drive Mode (Drive Engaged)**



# IV. ASSEMBLY

## SEAT INSTALLATION

The Universal Mounting System (UMS) consists of universal parts that may be used on any medium back or high back seat, regardless of seat width or seat depth. The two main components are aluminum extrusions that can be mounted to any medium back or high back seat. These extrusions attach to a pair of trapeze bars that are mounted to standard Versa Seat towers. The ELRs/Swing-away footrest hangers used on the UMS enable installation of ELRs, Swing-aways or heavy-duty drop-in leg rests.

### To install the seat:

1. Set the trapeze bars to the desired height. To change the trapeze bar height, see V. “Comfort Adjustments.”
2. Remove the front extrusion clamp from the front extrusion. See figure 7.
3. Tilt the seat back, and slide the rear extrusion onto the rear trapeze bar.
4. Lower front extrusion onto the front trapeze bar and secure the seat with the front extrusion clamp.
5. Plug the controller cable(s) into the connector on the electronics tray. See figure 4.
6. Route the cable to ensure that the cable cannot be pinched in the seat hinge.
7. Secure the controller cable to the armrest receiver with one or more wire ties.

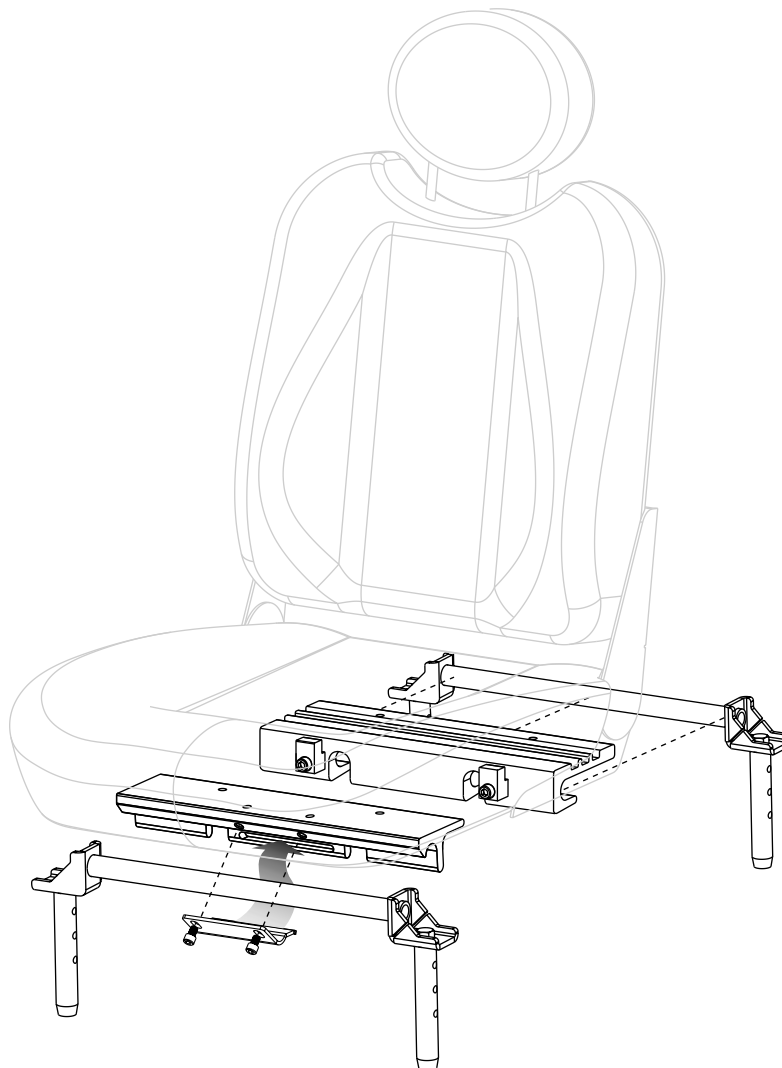


Figure 7. Universal Mounting System

# V. COMFORT ADJUSTMENTS

## COMFORT ADJUSTMENTS

After becoming familiar with your power chair's operation, you may find the need to make some adjustments to increase your comfort, such as seat height and angle, armrest angle, footrest height and angle, and the controller's position. If your power chair is equipped with a Synergy Seat, Versa Tilt, or the Export Seat, then refer to the information provided in separate manuals. If your power chair is equipped with a highback, medium back, or manual recline seat, then refer to the following information.



**CAUTION:** If your power chair was configured at your authorized Pride provider, please consult your healthcare professional before changing the seat position or making any other adjustment. Some adjustments may degrade your power chair's performance and safety by changing its center of gravity.

You may need the following to make comfort adjustments:

- metric/standard hex key set
- metric/standard socket set and ratchet
- adjustable spanner

### Seat Height and Seat Angle Adjustment

There are four seat towers that connect the seat to the power base. See figures 3 and 8. You can change the seat height to one of three positions in 1-in. increments by raising the seat towers. If you raise or lower only one set of seat towers (front or rear), you can also change the seat base angle. If your power chair is equipped with a power elevating seat, then you change the seat height through the controller or a switch.

#### To change the seat height or seat angle:

1. Remove the ball detent pin from each of the four seat towers.
2. Raise or lower each seat pin to the desired position. To change the angle, set either the front or rear seat towers higher or lower than the other.
3. Reinstall the ball detent pin into each seat tower.

### Reclining Seat

If your power chair is equipped with a reclining seat, you can adjust the seatback angle with the seatback release lever. The lever is located on the right side of the seat base.

#### To adjust the seatback angle:

1. Press down on the lever.
2. Move the seatback down or up to the desired position.
3. Release the lever.

### Seatback Angle Adjustment

If your power chair is equipped with an adjustable seatback, you can adjust it to four (4) different angles: 90°, 102°, 105°, or 107°.

#### To adjust the seatback angle:

1. Remove the adjusting screws on both seat hinges. See figure 9.
2. Set the seatback at desired angle.
3. Reinstall the screws on both seat hinges and tighten.

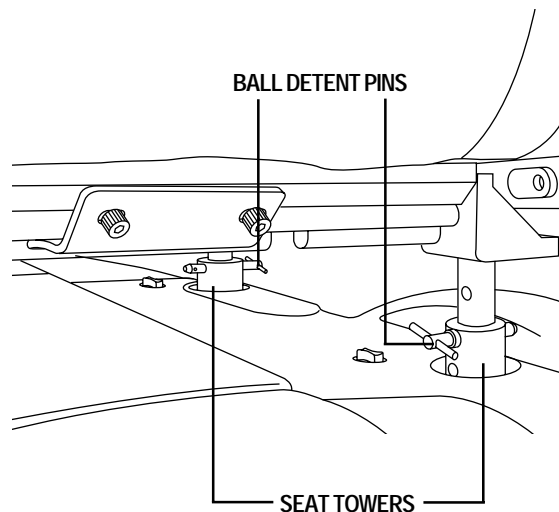


Figure 8. Seat Height Adjustment

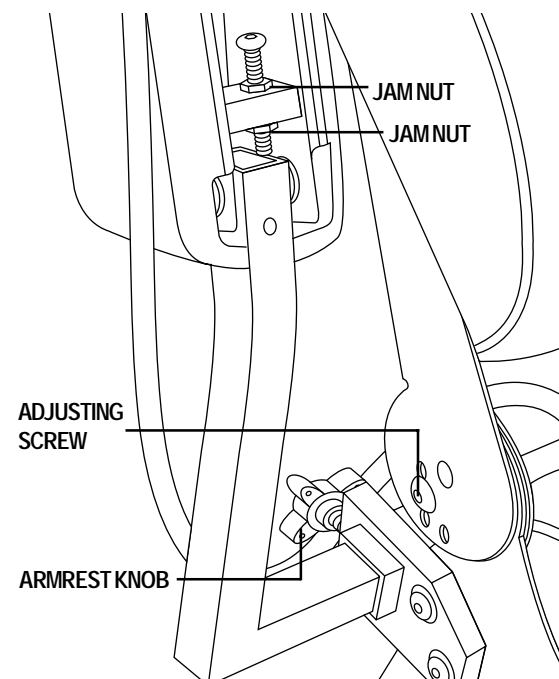


Figure 9. Seatback and Armrest Adjustments

# V. COMFORT ADJUSTMENTS

## Armrest Width Adjustment

You can change each armrest's width independently of each other.

*NOTE: Changing the armrest width may increase the overall width of your power chair.*

### To change the armrest width:

1. Locate the two armrest knobs on each side of the armrest receiver bracket. See figure 9.
2. Loosen the knobs.
3. Slide the armrests in or out to the desired width.
4. Tighten the knobs.

## Armrest Angle Adjustment

### To change the armrest angle:

1. Lift the armrest straight up so that it is perpendicular to the floor.
2. Loosen the jam nuts. See figure 9.
3. Loosen the adjusting screw.
4. Turn the adjusting screw clockwise to raise the front of the armrest, or turn the adjusting screw anticlockwise to lower the front of the armrest. See figure 8.
5. Tighten the jam nuts to lock the adjusting screw into place.

## Footrest Height

The footrest height is easily adjusted to one of six different heights in 1-in. increments.

### To raise or lower the footrest:

1. Remove the nuts and bolts from bracket. See figure 10.
2. Raise or lower the footrest to the desired height.
3. Reinstall the bolts and nuts into the footrest bracket and tighten.

## Footrest Depth

### To adjust the footrest depth:

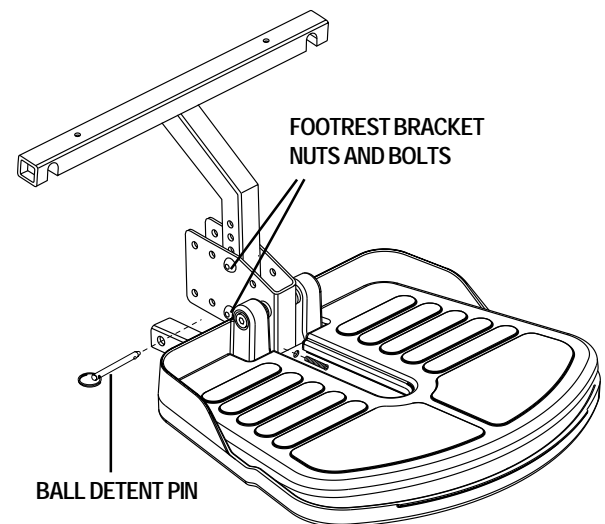
1. Remove the nuts and bolts from the bracket. See figure 10.
2. Move the footrest in or out to the desired depth.
3. Reinstall the nuts and bolts into the bracket and tighten.

## Footrest Angle

You can adjust the angle of the footrest with a hex key. See figure 11.

### To adjust the footrest angle:

1. Turn the setscrew clockwise to raise the front of the footrest.
2. Turn the setscrew anticlockwise to lower the front of the footrest.



**Figure 10. Footrest (Shroud removed.)**

# V. COMFORT ADJUSTMENTS

## Swing-away Footrests

Swing-away Footrests (SFRs) enable you to rotate the leg rests to the side before you transfer on or off your power chair.

### To move the SFRs:

1. Push in the release lever. See figure 12.
2. Rotate the SFRs.

### To adjust the SFR length:

1. Remove the two screws from the side of each leg rest extension. See figure 14.
2. Slide the leg rest in or out to the desired length.
3. Tighten the bolt and reinstall the two screws.

## Elevating Leg Rests (Optional)

Elevating Leg Rests (ELRs) offer an infinite range of adjustment for the leg angle and a footrest adjustment range of 12–19 in.

### To adjust the ELR angle:

1. Press the release lever. See figure 13.
2. Move the leg rest to the desired angle.

### To adjust the ELR length:

1. Remove the two screws from the side of each leg rest extension. See figure 14.
2. Slide the leg rest in or out to the desired length.
3. Tighten the bolt and reinstall the two screws.

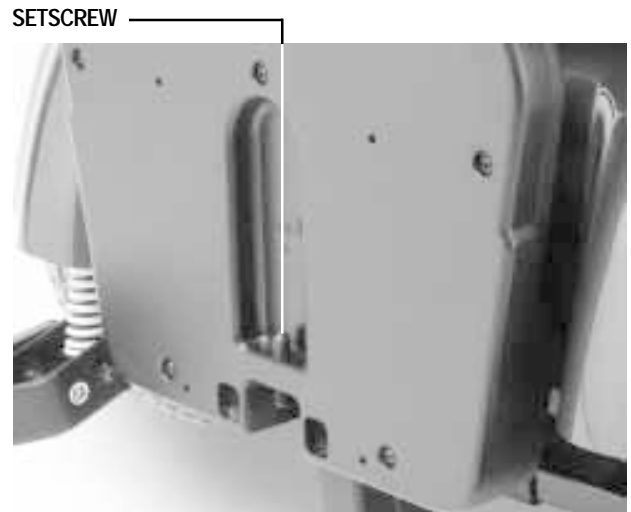


Figure 11. Footrest Angle

SFR RELEASE LEVER



Figure 12. Swing-Away Footrests

RELEASE LEVER



Figure 13. Elevating Leg Rests

# V. COMFORT ADJUSTMENTS

## Anti-Tip Wheels

The anti-tip wheels are designed to give your power chair increased stability on rough surfaces. The anti-tip wheels are preset at the factory to a height of 1.3 cm off the ground. This setting is for smooth surfaces or indoor use only. If you plan on using your power chair on rough surfaces, it may be necessary to adjust the anti-tip wheels to better suit your needs. The anti-tip wheels may need adjustment if either of the following occur:

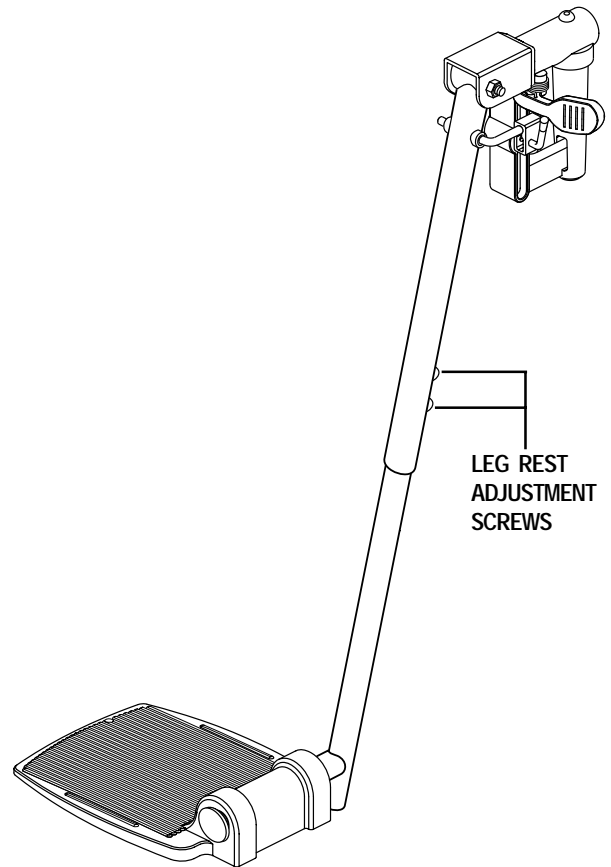
- When coming to a stop, your power chair tips forward excessively.
- The anti-tip wheels constantly rub the ground.

### To adjust the anti-tip wheels:

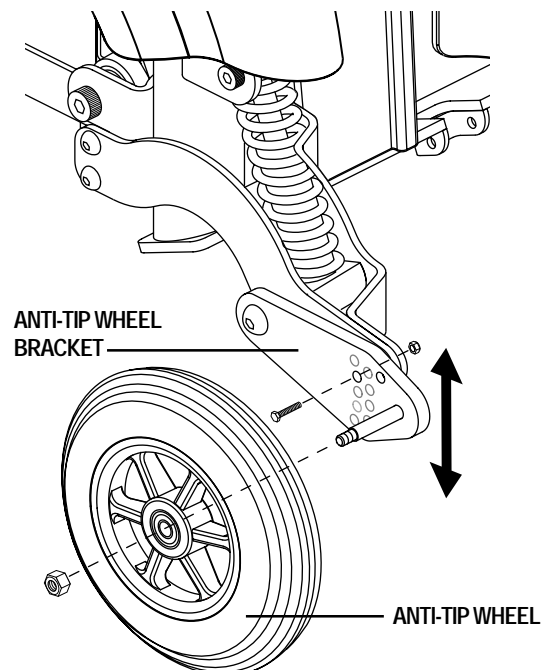
1. Remove the anti-tip wheel. See figure 15.
2. Remove the nut and bolt on the anti-tip bracket. See figure 12.
3. Raise or lower the anti-tip wheel.
4. Reinstall the nut and bolt on the anti-tip bracket.
5. Reinstall the wheel.
6. Raise or lower the other anti-tip bracket so that it is at the same height.

*NOTE: Each drive tyre must have at least 30 - 35 psi in order for the anti-tip wheels to be properly adjusted.*

*NOTE: The higher you raise the anti-tip wheels, the more tendency your power chair has to tilt forward when coming to a stop. You can compensate for this by making a small adjustment to the pre-programmed deceleration setting in the controller or by moving the seat assembly further to the rear of your power chair.*



**Figure 14. Elevating Leg Rests (Swing-away is similar.)**



**Figure 15. Anti-Tip Wheel Assembly**

# VI. BATTERIES AND CHARGING

## BATTERIES AND CHARGING

The Jazzy uses two long-lasting, 12-volt, deep-cycle batteries. These batteries are sealed and maintenance free. Since they are sealed, there is no need to check the electrolyte (fluid) level. Deep-cycle batteries are designed to handle a longer and deeper discharge. Though they are similar in appearance to automotive batteries, they are not interchangeable. Automotive batteries are not designed to handle a long, deep discharge, and are also unsafe for use in power chairs.



**WARNING!** Battery posts, terminals, and related accessories contain lead and lead compounds. Wash hands after handling.

### Charging the Batteries

The onboard battery charger is essential in providing long life for your power chair batteries. See figure 3. The onboard battery charger is designed to optimise your power chair's performance by charging the batteries safely, quickly, and easily. The charging system consists of the charger, the charger fuse, and the ammeter. The onboard charger is located underneath the electronics tray. See figure 4. The charger has an in-line fuse that protects the ammeter, which is located on the electronics tray for easy viewing. The ammeter indicates the rate of charge necessary to fully recharge the batteries. It is also a good indication of whether or not the charger is working. The ammeter and the charger are only functional when the charger power lead is plugged into a wall outlet.

*NOTE: You must recharge your power chair's batteries with the supplied onboard or the optional off-board charging system. Do not use an automotive-type battery charger.*



**WARNING!** Never use an extension cord to plug in your battery charger. Plug the charger directly into a properly wired standard wall outlet.

### To charge the batteries using the onboard charger:

1. Position the rear of your power chair close to a standard wall outlet.
2. Be certain the controller power is turned off and the freewheel levers are in the engaged position. See III. "The Jazzy 1121."
3. Plug the charger AC power lead into the receptacle on the power base, then into the wall outlet. The power chair incorporates an inhibit function that disables the power chair when the charger is plugged into a wall outlet.
4. The ammeter indicates how much charge is needed to fully charge the batteries. Wait about a minute for the charger to warm up. The ammeter may move as high as 5.5 amps, then gradually move back down to 0 amps as the batteries charge.
5. We recommend you charge the batteries for 8 to 14 hours. As the batteries charge, the ammeter needle slowly drops to 0. When the batteries are fully charged, the needle vibrates on or about the 0 mark on the ammeter.
6. When your power chair's batteries are fully charged, wind up the charger AC power lead using the hook and loop strap and place the lead back into the power chair's electronics tray.

### To charge the batteries using the off-board charger:

1. Position your power chair next to a standard wall outlet.
2. Be certain the controller power is turned off.
3. Plug the off-board charger into the off-board charger socket on the controller. See figures 16 and 18.
4. Plug the off-board charger into the wall outlet.
5. If it is a Pride off-board charger, then there are two lights in it. The red light indicates that power to the off-board charger is on. The green light indicates that the batteries are fully charged. If it is not a Pride off-board charger, then follow the instructions that came with it.
6. When the batteries are fully charged, unplug the off-board charger from the wall outlet and from the controller.

# VI. BATTERIES AND CHARGING

## Battery Break-in

To break in new batteries for maximum efficiency:

1. Fully recharge any new battery prior to its initial use. This brings the battery up to about 90% of its peak performance level.
2. Operate your Jazzy throughout the house and grounds. Move slowly at first, and don't stray too far until you become accustomed to the controls and break in the batteries.
3. Give the batteries another full charge of 8 to 14 hours and operate your Jazzy again. The batteries will now perform at over 90% of their potential.
4. After four or five charging cycles, the batteries will top off at 100% charge and last for an extended period.

## Frequently Asked Questions (FAQs)

### How does the charger work?

The battery charger takes the standard wall outlet voltage of 110 VAC (alternating current) and converts it to 24 VDC (direct current). The power chair batteries use direct current to run your power chair. When the battery voltage is low, the charger works harder to charge the battery. This is why the ammeter initially reads 5 or more amps. As the battery voltage approaches full charge, the charger doesn't work as hard to complete the charging cycle. This explains why the ammeter drops as it approaches a full charge. When the battery is fully charged, the amperage from the charger is nearly at zero. This is how the charger maintains a charge but does not overcharge the battery.

### Can I use a different battery charger?

You should use the charger supplied with the power chair. It is the safest, most efficient tool to charge the batteries. We do not recommend using other types of chargers (e.g., an automotive battery charger). Your power chair's charger will not operate after the batteries have been discharged to nearly zero voltage. If this happens, call your authorised Pride provider for assistance.

### How often must I charge the batteries?

Many factors come into play when deciding how often to charge the batteries. You may use your power chair all day on a daily basis or you may not use it for weeks at a time.

#### ■ Daily Use

If you use your power chair on a daily basis, charge the batteries as soon as you are finished using your power chair. Your power chair will be ready each morning to give you a full day's service. It is recommended that you charge the batteries 8 to 14 hours after daily use. Do not charge the batteries for more than 24 hours at a charging cycle.

#### ■ Infrequent Use

If you use your power chair infrequently (once a week or less), you should charge the batteries at least once per week for 12 to 14 hours.

*NOTE: Keep your batteries fully charged and avoid deeply discharging your batteries. Do not charge the batteries for more than 24 hours at a charging cycle.*

# VI. BATTERIES AND CHARGING

## How can I get maximum range or distance per charge?

Rarely do you have an ideal driving situation such as smooth, flat, hard terrain with no wind, hills, or curves. More often you are presented with hills, pavement cracks, uneven and loosely packed surfaces, curves, and wind. All of these factors will affect the distance or running time per battery charge. Below are a few suggestions for obtaining the maximum range per charge:

- Always charge the batteries fully prior to your trip.
- Plan your trip in advance to avoid inclines if possible.
- Limit baggage weight to essential items.
- Try to maintain an even speed and avoid stop-and-go driving.

## What type of batteries should I use?

We recommend deep-cycle batteries that are sealed and maintenance free. Both sealed lead-acid (SLA) and gel cell are deep-cycle batteries that are similar in performance.

Use these specifications to reorder deep-cycle batteries:

| BATTERY SPECIFICATIONS |   |
|------------------------|---|
| Type:                  | Deep-cycle (sealed lead-acid or gel cell) |
| Size:                  | NF-22                                     |
| Voltage:               | 12V each                                  |

## Why do my new batteries seem weak?

Deep-cycle batteries employ a much different chemical technology than that used in car batteries, nickel-cadmium (nicads), or in other common battery types. Deep-cycle batteries are specifically designed to provide power, drain down their charge, and then accept a relatively quick recharge. Lead-acid batteries should be charged as often as possible. They do not have a “memory” like nickel-cadmium batteries.

We work closely with our battery manufacturer to provide a battery that best suits your power chair’s specific demands. Fresh batteries arrive regularly at Pride and are promptly shipped with a full charge. During shipping, the batteries encounter temperature extremes that may influence initial performance. Heat robs the charge from the battery, and cold slows the power available and extends the time needed to recharge the battery (just as with a car battery).

It might take a few days for the temperature of the battery to stabilise and adjust to its new ambient temperature. More importantly, it will take a few “charging cycles” (a partial drain—then a full recharge) to establish the critical chemical balance that is essential to the battery’s peak performance and long life. It will be well worth it to take the time to break in your battery properly.

*NOTE: The useful life of a battery is quite often a reflection of the care it receives.*

## How can I ensure maximum battery life?

A fully charged deep-cycle battery will provide reliable performance and extended battery life. Keep your power chair’s batteries fully charged whenever possible. Batteries that are regularly and deeply discharged, infrequently charged, or stored without a full charge may be permanently damaged, causing unreliable power chair operation and limited battery life.



## V I . B A T T E R I E S A N D C H A R G I N G

### **How should I store my power chair and its batteries?**

If you do not use your power chair regularly, we recommend maintaining battery vitality by charging the batteries at least once per week.

If you do not plan on using your power chair for an extended period, fully charge the batteries prior to storage. Disconnect the battery harnesses and store the power chair in a warm, dry environment. Avoid temperature extremes, such as freezing and excessively hot conditions, and never attempt to charge a frozen battery. A cold or frozen battery should be warmed for several days prior to recharging.

### **What about public transportation?**

If you intend to use public transportation while using your power chair, you must contact in advance the transportation provider to determine their specific requirements. See II. “Safety” for details on motor vehicle transport.

Sealed lead-acid and gel cell batteries are designed for application in power chairs and in other mobility vehicles. Generally, sealed lead-acid batteries are safe for all forms of transportation such as aircraft, buses, and trains. We suggest that you contact your transportation provider to determine specific requirements of transportation and packaging.

### **What about shipping?**

If you wish to use a freight company to ship your power chair to your final destination, repack your power chair in the original shipping container and ship the batteries in separate boxes.

# VII. OPERATION

## VSI CONTROLLER

The electronic controller is what you use to operate your power chair. It takes the battery voltage and sends it to the appropriate system. The electronic controller enables you to move the power chair, as well as monitor battery charge, electronic controller functions, and the condition of your electrical system. Also, it may be used to control some optional systems such as power elevating seats and lights.

The VSI controller is an integral electronic controller. All of the electronics necessary to operate the power chair are contained in one module. See figure 16.

The VSI consists of:

1. joystick
2. keypad (see figure 17)
3. off-board charger/programming socket
4. actuator connector (optional)
5. controller connector
6. 3-pin charger inhibit connector

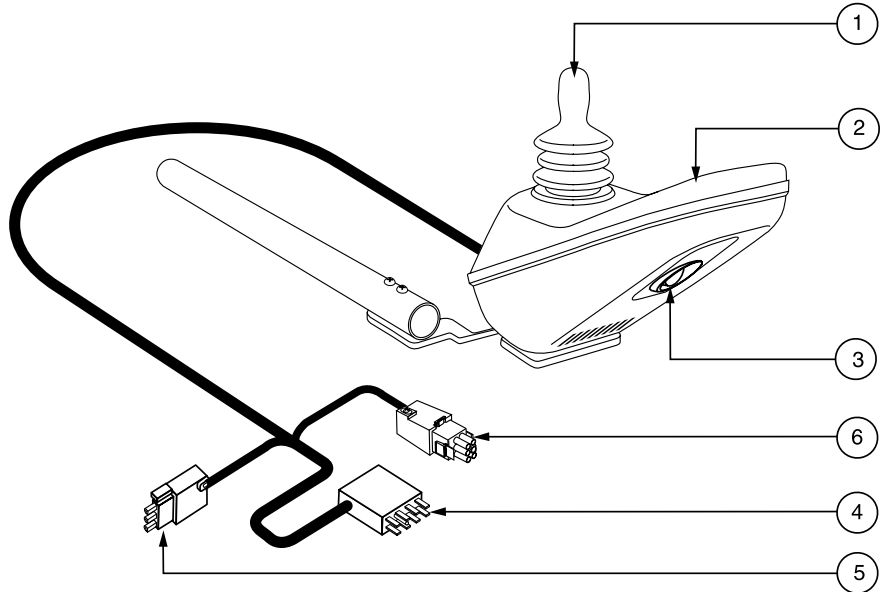


Figure 16. VSI Controller

Typically, the VSI is mounted to one of the armrests and is connected to the motors, batteries, and the onboard charger on the power base.

## Joystick

The joystick controls the direction and speed of your power chair. When you move the joystick from the neutral (center) position, the electromagnetic brakes release and allow your power chair to move. The further you push the joystick from its neutral position, the faster your power chair moves. When you release the joystick and allow it to return to the neutral position, you engage the electromagnetic brakes. This causes your power chair to decelerate and come to a complete stop.



**WARNING!** If your power chair begins to move in an unexpected manner, immediately release the joystick. Unless the joystick is damaged, this action should stop your power chair.

## Keypad

The keypad is located in front of the joystick. It contains keys necessary to operate your power chair. See figure 17.

## On/Off Key

The on/off key turns the VSI on and off. See figure 17.



**WARNING!** Unless faced with an emergency situation, do not use the on/off key to stop the chair. This will cause the power chair to stop abruptly.

**WARNING!** Always turn the power off when you are stationary to prevent unexpected movement.

## Battery Condition Meter

The battery condition meter is located in front of the joystick. See figure 17. This is a 10-segment illuminated display that indicates that

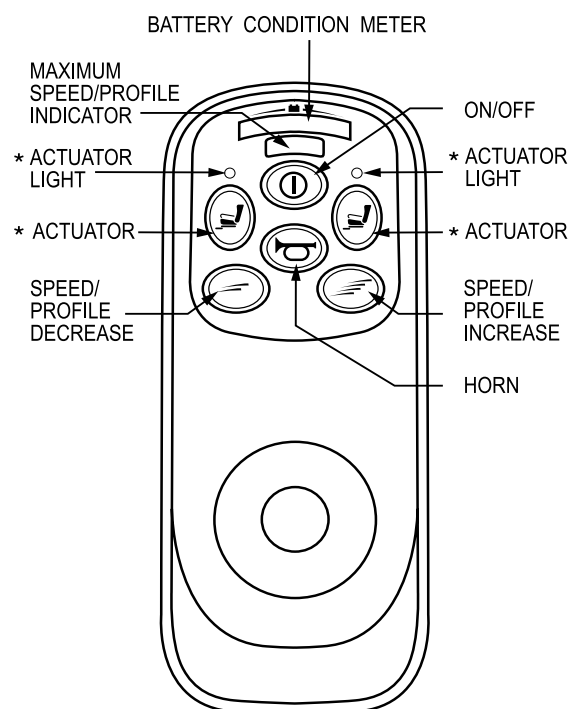
# VII. OPERATION

the VSI is turned on and also gives the battery status, the VSI status, and the electrical system status.

- **Red, yellow, and green lights lit:** Battery charged; VSI and electrical system OK.
- **Red and yellow lights lit:** Charge battery if possible; VSI and electrical system OK.
- **Red lights only lit or slow flash:** Charge battery as soon as possible; VSI and electrical system OK.
- **Rapid flash of lights:** Indicates a fault in the VSI or the electrical system. Refer to “VSI Error Codes.”
- **Ripple up and down of lights:** The joystick was not in the neutral position when the controller was turned on. If you get “ripple up and down of lights”, turn off the controller, allow the joystick to return to the neutral position, then turn on the controller.

*NOTE: If you still get “ripple up and down of lights”, contact your authorized Pride provider.*

*NOTE: When the batteries approach a discharged state, the first red light will begin to slowly flash, reminding you the batteries need to be charged immediately!*



\*For optional equipment on some models.

**Figure 17. VSI Controller Keypad**

## Speed/Profile Keys

There are two keys that control either the speed or the profile. See figure 17. This depends on how your VSI was programmed. Press the speed/profile increase key to increase the speed or change the profile. Press the speed/profile decrease key to decrease the speed or change the profile. The speed/profile setting is displayed on the maximum speed/profile indicator. If your power chair was programmed with a drive profile, contact your authorized Pride provider for more information.

*NOTE: We recommend that the first few times you operate your power chair, you set the speed to the slowest setting until you become familiar with your new power chair.*

## Actuator Key and Actuator Lights (for optional equipment)

Actuator keys and actuator lights are used for optional equipment such as power elevating seats or power elevating leg rests. For specific operation of the actuator keys and actuator lights, contact your authorized Pride provider. See figure 17.

## Horn Key

The horn key activates the horn. See figure 17.

## Off-board Charger/Programming Socket

You may use an off-board charger to charge the power chair batteries through the 3-pin socket located on the front of the VSI. See figure 16. If you use an off-board charger, the charger current should not exceed 12 amps. Contact your authorized Pride provider for more information.



**CAUTION!** Only chargers with Neutrik NC3MX plugs should be connected to the off-board charger/programming socket. See your authorized Pride provider for more information.

# VII. OPERATION

*NOTE: The socket may also be used for reprogramming the VSI. Contact your authorized Pride provider for more information.*

## Controller Connector

This connects the VSI to the power chair's batteries, motors, and motor brakes. See figure 16.

## 3-pin Charger Inhibit Connector

This connects the VSI to the onboard battery charger. See figure 16. This connection provides an inhibit that disables the VSI when the battery charger is on. The charger inhibit connector is coded with colored dots. The dots are positioned so that you align the flat side of the male connector with the flat side of the female connector before making the connection.



CAUTION! Failure to properly align the connectors can result in damage to the VSI, the charger, and the connectors.

## Thermal Rollback

The VSI controller is equipped with a thermal rollback circuit. The circuit monitors the temperature of the controller, which roughly translates to motor temperature. In the event that the VSI controller becomes excessively hot (above 140° F), motor current (amperage) is reduced. For every degree above 140° F, the motor current limit is reduced by .55 amps until the VSI controller reaches 158° F, at which time the current output is reduced to zero. This reduces your power chair's "power," which could also reduce your power chair's speed, and allows the electrical components and motors to cool down. When the temperature returns to a safe level, your power chair resumes its normal operation.

## Troubleshooting

The VSI controller is designed with the user's safety as the prime consideration. It incorporates many sophisticated self-test features which search for potential problems at a rate of 100 times per second. If the VSI detects a problem either in its own circuits or in the power chair's electrical system, it may decide to stop the power chair, depending on the severity of the problem. The VSI is designed to maximize the user's safety under all normal conditions. The table below identifies the individual error codes. Error codes are displayed as a rapid flashing of the lights. If you get one of these error codes, contact your authorized Pride provider.

| FLASHING LIGHTS | DIAGNOSIS AND SOLUTION   |
|-----------------|--|
| 1               | The battery needs charging or there is a bad connection to the battery. Check the connections to the battery. If the connections are good, try charging the battery. |
| 2               | The left motor has a bad connection. Check the left motor connection.  |
| 3               | The left motor has a short circuit to a battery connection. Contact your authorized Pride provider.  |
| 4               | The right motor has a bad connection. Check the right motor connection.  |
| 5               | The right motor has a short circuit to a battery connection. Contact your authorized Pride provider.   |
| 6               | The power chair is being inhibited by the battery charger. Unplug the battery charger.   |
| 7               | A joystick fault is indicated. Make sure that the joystick is in the neutral (center) position before turning on the controller.                                     |
| 8               | A controller system fault is indicated. Make sure that all connections are secure.   |
| 9               | The parking brakes have a bad connection. Check the parking brake and motor connections. Make sure the controller system connections are secure.                     |
| 10              | An excessive voltage has been applied to the controller. This is usually caused by a poor battery connection. Check the battery connections.                         |

# VII. OPERATION

## REMOTE PLUS CONTROLLER

The Remote Plus is a modular electronic control system. The electronics necessary to operate the power chair are contained in several modules located on different parts of your power chair.

The Remote Plus system consists of the following components:

- master remote
- communications cable(s)
- power module
- motor wiring harnesses
- battery wiring harnesses
- actuator lighting module (for optional equipment)

The master remote is located typically on the end of an armrest. The other components are located inside the power base.

### Remote Plus Master Remote

The Remote Plus master remote consists of the following (see figure 18):

1. joystick
2. keypad
3. controller communications cable
4. off-board charger socket

### Joystick

The joystick controls the direction and speed of your power chair. When you move the joystick from the neutral (center) position, the electromagnetic brakes release and allow your power chair to move. The further you push the joystick from its neutral position, the faster your power chair moves. When you release the joystick and allow it to return to the neutral position, you engage the electromagnetic brakes. This causes your power chair to decelerate and come to a complete stop.

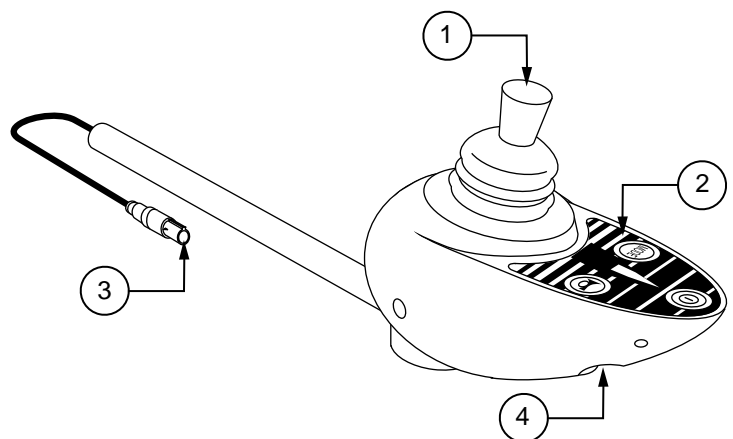


Figure 18. Remote Plus Master Remote



WARNING! If your power chair begins to move in an unexpected manner, immediately release the joystick. Unless the joystick is damaged, this action should stop your power chair.

### Keypad

The keypad is located directly in front of the joystick. See figure 19. It contains keys that you will use to control your power chair.

### On/Off Key

The on/off key toggles the system power on and off.



WARNING! Unless faced with an emergency situation, do not use the on/off key to stop the chair. This will

# VII. OPERATION



cause the power chair to stop abruptly.

**WARNING!** Always turn the power off when you are stationary to prevent unexpected movement.

## Mode Key

Press the key to change speed setting or to activate the power accessories. See “Speed Settings” or “Power Accessories.”

## Speed Setting Indicator

Indicates the selected speed setting.

## Power Accessory Indicator

Indicates the selected power accessory. This is for optional accessories only.

## Horn Key

The horn key activates the horn.

## Right/Left Turn Indicator Keys

The right/left indicator keys toggle either the left or right turn indicators. Press once to turn on and press again to turn off. You can also turn off the selected indicator by pressing the opposite indicator key or the hazard key.

## Light Key

The light key turns headlights/taillights on and off independent of other indicators.

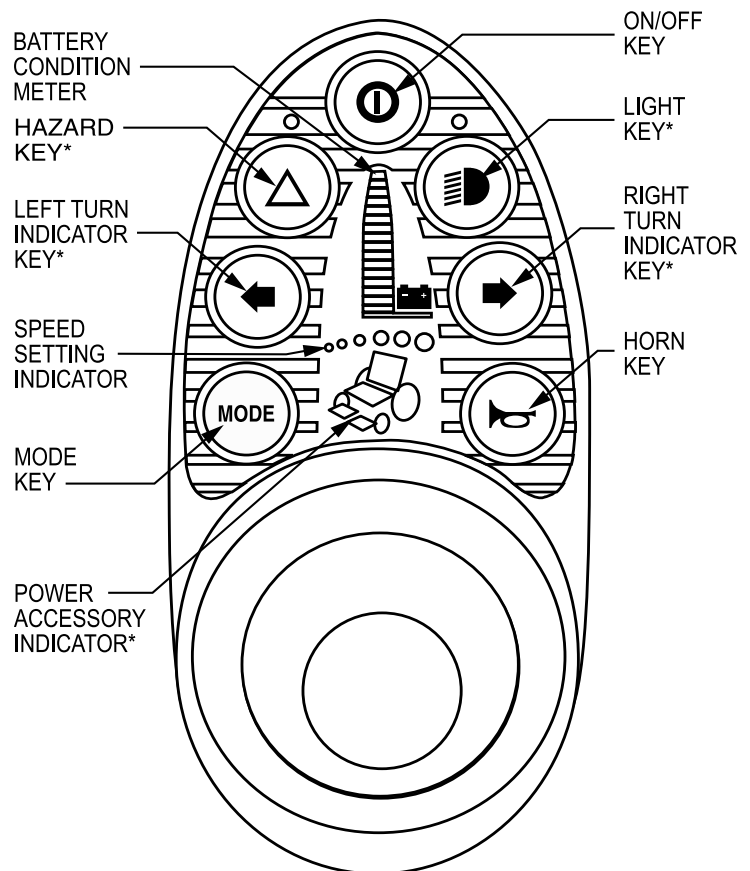
## Hazard Key

The hazard key toggles both indicators at the same time. You can only cancel this by pressing the hazard key again.

## Battery Condition Meter

The battery condition meter is located in front of the joystick. This is a 10-segment illuminated display that indicates that the Remote Plus is turned on and also gives the status of the battery, the controller, and the power chair electrical system.

- **Red, yellow, and green lights lit:** Battery charged; controller and electrical system OK.
- **Red and yellow lights lit:** Charge battery if possible; controller and electrical system OK.
- **Red lights only lit or slow flash:** Charge battery as soon as possible; controller and electrical system OK.
- **Rapid flash of lights:** Indicates a fault in the controller or the electrical system.
- **Ripple up and down of lights:** The joystick was not in the neutral position when the controller was turned on. If you get “ripple up and down of lights”, turn off the controller, allow the joystick to return to the neutral position, then turn on the controller.



\*These are optional accessories. Please contact your authorized Pride provider for more information.

**Figure 19. Remote Plus Keypad**

# VII. OPERATION

*NOTE: If you still get “ripple up and down of lights”, contact your authorised Pride provider.*

*NOTE: When the batteries approach a discharged state, the first red light will begin to slowly flash, reminding you the batteries need to be charged immediately!*

## **Speed Settings**

The Remote Plus speed settings range from 1 to 5. Typically, the slowest speed setting is 1 and the fastest speed setting is 5. The settings are indicated by the number of lights that are lit.

*NOTE: The speed settings are pre-set at the factory. If your authorised Pride provider changes the order of these settings, please make note of these changes. Contact your authorised Pride provider for more information.*

### **To select a speed setting:**

1. Press the on/off key to power on the remote.
2. Press the mode key once.
3. To increase chair speed, push the joystick to the right. Each time you push the joystick, you will increase the speed setting.
4. To decrease chair speed, push the joystick to the left. Each time you push the joystick, you decrease the speed setting.
5. Once you select the desired speed setting, press the mode key once to keep the setting or push the joystick in the forward or reverse direction. The chair will resume operation at the selected speed.

*NOTE: We recommend that the first few times you operate your power chair, you have your speed on the slowest setting until you become familiar with your new power chair.*

## **Power Accessories**

If your power chair is equipped with power accessories such as a power seat or power elevating leg rests, you can operate them through the remote keypad. Contact your authorised Pride provider for information on how to operate these accessories.

## **Off-board Charger Socket**

You may use an off-board charger to charge the power chair batteries through the 3-pin socket located on the front of the controller. See figure 18. The socket may also be used for reprogramming the controller by using a Penny & Giles Programmer, should this be necessary. If you use an off-board charger, the charger current should not exceed 13 amps. Contact your authorised Pride provider for more information.



CAUTION! Only chargers with Neutrik NC3MX plugs should be connected to the charger socket. See your authorised Pride provider for more information.

## **Controller Communications Cable**

The controller communications cable provides the joystick module with a connection to the power module. See figure 18.

## **Power Module**

Typically, the power module is mounted to the power base. See figure 3. The power module provides a power interface for the joystick module. It routes the battery power to the motors and other powered accessories such as lights and power seats.

# VII . OPERATION

## Actuator Lighting Module (Not Shown)

The actuator lighting module is also located on the power base. The actuator lighting module provides a control and power interface between the power module, the lights, and/or the power seat actuator.

## Sleep Mode

Your Remote Plus controller has a sleep mode feature. Sleep mode is a built-in circuit that automatically shuts off the main power if the joystick is not moved in any direction for approximately five minutes. The battery condition meter lights on the keypad indicate sleep mode by blinking once every five seconds. To restore power and continue, push the on/off key twice.

## Thermal Rollback

The Remote Plus is equipped with a thermal rollback circuit. This circuit monitors the temperature of the motors, power module, and remote. In the event that any of them become excessively hot (above 50° C/122° F), motor voltage is reduced. For every degree above 50° C/122° F, the voltage is reduced by 5 volts. This reduces your power chair's speed and allows the electrical components to cool down. When the temperature returns to a safe level, your power chair resumes its normal speed.

## Trouble Codes

In addition to indicating the current state of battery charge, the battery condition meter can also indicate possible problems with your power chair. The battery condition meter has ten lights. The lights provide information by the number of lights that are flashing. If any of the meter lights are flashing rapidly, the controller may be indicating a fault. For instance, if the first light is flashing rapidly, the battery voltage is nearly depleted. The following is a list of the possible errors signified by the rapidly flashing meter. When you get a trouble code, contact your authorised Pride provider.

| FLASHING LIGHTS | DIAGNOSIS                 | SOLUTION                           |
|-----------------|---------------------------|------------------------------------|
| 10              | High Battery Voltage      | Check batteries.                   |
| 9               | Solenoid Brake Fault      | Check motor/brake wiring.          |
| 8               | Possible Controller Fault | See authorised Pride provider.     |
| 7               | Possible Joystick Fault   | See authorised Pride provider.     |
| 6               | Inhibit Active            | Unplug charger. Check connections. |
| 5               | Right Motor Wiring Fault  | Check right motor wiring.          |
| 4               | Right Motor Disconnected  | Check right motor wiring.          |
| 3               | Left Motor Wiring Fault   | Check left motor wiring.           |
| 2               | Left Motor Disconnected   | Check left motor wiring.           |
| 1               | Low Battery Voltage       | Check batteries/battery wiring.    |



# VIII. CARE AND MAINTENANCE

## CARE AND MAINTENANCE

Your power chair is a sophisticated power chair. Like any motorised vehicle, it requires routine maintenance checks. You can perform some of these checks, but others require assistance from an authorised Pride provider. Preventive maintenance is very important. If you follow the maintenance checks in this section as scheduled, you can help ensure that your power chair gives you years of trouble-free operation. If you have any doubt as to your power chair's care or operation, contact your authorised Pride provider.

Your power chair, like most electrical equipment, is susceptible to damage from the elements. Avoid damp areas of any kind.



**CAUTION!** Direct exposure to water or dampness could cause the power chair to malfunction electronically and mechanically. Water can cause electrical components to corrode and the chair's frame to rust.

### Should your power chair come in contact with water:

1. Dry your power chair as thoroughly as possible with a towel.
2. Allow your power chair to sit in a warm, dry place for 12 hours to allow unseen water to evaporate.
3. Check the joystick operation and the brakes before using your power chair again.
4. If any inconsistencies are found, take your power chair to an authorised Pride provider.

### Temperature

Some of the parts of your power chair are susceptible to extreme changes in temperature. Always keep your power chair between the temperatures of  $-8^{\circ}\text{C}/18^{\circ}\text{F}$  and  $50^{\circ}\text{C}/122^{\circ}\text{F}$ .

- In extremely cold temperatures the batteries may freeze. The specific temperature at which they freeze depends on a number of factors, such as battery charge, usage, and composition of the batteries (e.g., sealed lead-acid or gel cell).
- Temperatures above  $50^{\circ}\text{C}/122^{\circ}\text{F}$  may cause your power chair to operate at a reduced speed. This reduced speed is a safety feature built into the controller that helps prevent damage to the motor and other electrical components. See VII. "Operation."

### General Guidelines

- Avoid knocking or bumping the controller, especially the joystick.
- Avoid prolonged exposure of your power chair to extreme conditions, such as heat, cold, or moisture.
- Keep the controller clean.
- Check all connectors on the electronics tray to ensure that they are all tight and secured properly.
- When the battery condition meter is completely lit, the batteries are fully charged, and the controller and the electrical system are OK.
- If one red light on the battery condition meter is blinking slowly, the batteries are low and need to be charged, but the controller and the electrical system are OK.
- If the battery condition meter is blinking rapidly, the controller has detected a fault in either its own circuits or in your power chair's circuits. See VII. "Operation."
- Make sure the drive tyres are inflated to **30 – 35 psi**.



**WARNING!** Overinflating tyres can cause them to explode and can result in personal injury.  
**WARNING!** Do not use a high pressure hose to inflate your tyres.

# VIII. CARE AND MAINTENANCE

- Use a rubber conditioner on the tyre sidewalls to help preserve them. Never use a rubber conditioner on the tread area of the tyres; doing so may make the tyres slippery and cause your power chair to skid.
- The body shroud has been sprayed with a clear sealant coating. You can apply a light coat of car wax to help it retain its high-gloss appearance.
- Check all electrical connections. Make sure they are tight and are not corroded. Batteries must sit flat within the battery well, with the battery terminals facing inward, toward each other. Refer to the frame decal for the correct wiring layout. See figure 20.
- All wheel bearings are prelubricated and sealed. They require no subsequent lubrication.

## Daily Checks

- With the controller turned off, check the joystick. Make sure it is not bent or damaged and that it returns to the neutral position when you release it. Check the rubber boot around the base of the joystick for damage. Visually inspect the boot. Do not handle or try to repair it. See your authorised Pride provider if there is a problem.
- Visually inspect the controller harness. Make sure that it is not frayed, cut, or has any wires exposed. See your authorised Pride provider if there is a problem with any harnesses.

## Weekly Checks

- Disconnect the controller from the electronics tray and inspect the controller connector. Look for corrosion. Contact your authorised Pride provider if necessary.
- Ensure that all parts of the controller system are securely fastened to your power chair. Do not overtighten any screws.
- Check for proper tyre inflation. There should be **30 – 35 psi** in each tyre. If a tyre does not hold air, see an authorised Pride provider for replacement of the tube.
- Calibrate the joystick if a noticeable difference in performance is detected or if the joystick does not operate properly. To calibrate the joystick, power off the unit, place the joystick in the neutral position, and power the unit back on. If a problem still exists with your joystick's performance, contact your authorised Pride provider.
- Check the brakes. This test should be carried out on a level surface with at least three feet of clearance around your power chair.

### To check the brakes:

1. Turn on the controller and turn down the speed level of your power chair.
2. After one second, check the battery condition meter. Make sure that it remains on.
3. Slowly push the joystick forward until you hear the electric brakes click. Immediately release the joystick. You must be able to hear each electrical brake operating within a few seconds of joystick movement. Repeat this test three times, pushing the joystick rearwards, then left, and then right.

### To calibrate the joystick (Remote Plus only):

1. Position the joystick in the full reverse position and hold it there. Turn on the controller.
2. The battery condition meter lights up from one light to ten lights, and then back to one light. It does this twice, then blinks rapidly.
3. Turn off the controller.
4. Position the joystick in the full forward position and hold it there; then turn the controller on.
5. The battery condition meter lights up from one light to ten lights, and then moves back down to one light. It does this twice, then blinks once, and then it blinks continuously.
6. Turn off the controller. Now the joystick and controller are set up to function properly together.

# VIII. CARE AND MAINTENANCE

## Monthly Checks

- Check that the anti-tip wheels do not rub the ground when you operate the power chair. Adjust them as necessary. See IV. “Comfort Adjustments.”
- Check for extreme wear on the anti-tip wheels. Replace them as necessary.
- Check for drive tyre wear. See an authorised Pride provider for repair.
- Check the rear casters for wear. Replace them as necessary.
- Check the rear forks for damage or fluttering which indicates that they may need to be adjusted or have the bearings replaced. See an authorised Pride provider for repair.
- Keep your power chair clean and free of foreign material, such as mud, dirt, hair, food, drink, etc.

## Yearly Checks

Take your power chair to an authorised Pride provider for yearly maintenance. This helps ensure that your power chair is functioning properly and helps prevent future complications.

## Storage

Your power chair should be stored in a dry place, free from temperature extremes. When storing, disconnect the batteries from the power chair. See VI. “Batteries and Charging.”



WARNING! If you fail to store the unit properly, the frame can rust and the electronics can be damaged.

## Cleaning Instructions



CAUTION! Never hose off your power chair or place it in direct contact with water. Your power chair has a painted, ABS plastic body shroud that allows it to be easily wiped clean with a damp cloth.

CAUTION! Never use any chemicals to clean a vinyl seat, as they may cause the seat to become slippery or dry out and crack. Use soapy water and dry the seat thoroughly.

## Tyre/Wheel Replacement

If you have pneumatic tyres and you have a flat tyre, replace the tube. If your chair is equipped with a solid tyre insert, then you must replace the whole wheel assembly. Replacement tyres, tubes, and wheel assemblies are readily available through your authorised Pride provider.



WARNING! To avoid possible injury, be sure that the controller's power is turned off and the power chair is not in freewheel mode before performing this procedure.

WARNING! Completely deflate the tyre before attempting repair.

## Follow these easy steps for a quick and safe repair for both solid and pneumatic tyres:

1. Turn off the power to the controller.
2. Set the power chair up on blocks.
3. If you are changing a pneumatic tyre, completely deflate it before removing the wheel.
4. Use a socket spanner to remove the drive wheel nut from the center hub of the wheel.

# VIII. CARE AND MAINTENANCE

5. Pull the wheel off the axle.
6. Remove the old tube from the pneumatic tyre and replace it with a new tube.
7. Slide the wheel back onto the shaft.
8. Reinstall the drive wheel nut into the center hub and tighten.
9. Inflate the pneumatic tyre to **30 - 35 psi**.
10. Remove the power chair from the blocks.

## Battery Replacement

A diagram is printed on a decal located on the power chair frame near the battery tray. See figure 21.

### To replace the batteries:

1. Turn the power off.
2. Make sure that the power chair is in drive mode. See III. "The Jazzy 1121."
3. Remove the ball detent pin that secures the footrest to the frame. See figure 10.
4. Lift off the footrest.
5. Locate the battery quick disconnects on the frame and disconnect both of them. See figure 20.
6. Remove the batteries from the power base.
7. Disconnect the wiring harness from each battery.
8. Reinstall the wiring harnesses on each battery. Make sure that you connect the red wire to the positive (+) battery terminal and the black wire to the negative (-) battery terminal. See figure 20.
9. Place the batteries back into the power base.
10. Connect the battery quick disconnects according to the battery wiring diagram label. See figure 21.
11. Reinstall the footrest.

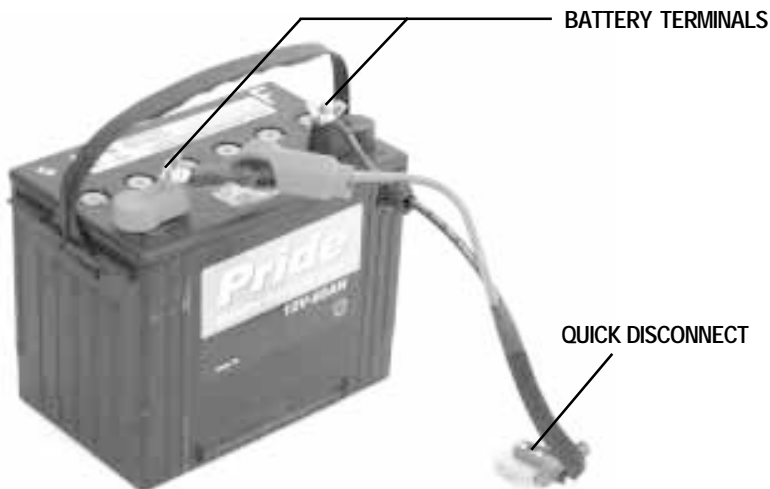


Figure 20. Battery and Harness



Figure 21. 1121 Battery Wiring Diagram Label

# VIII. CARE AND MAINTENANCE

## Motor Brushes

The electric motors that power your power chair use carbon brushes. These brushes may become susceptible to wear over a long period of time. The motor brushes are the two contacts located inside the motor assembly that supply power to the motor. They are designed to provide several thousand hours of operation. However, if the brushes become dirty with carbon deposits or wear out, the motor will run poorly or not at all. If an inspection determines excessive wear on the brushes, they must be replaced or motor damage will result.

### To inspect or replace the motor brushes:

1. Remove the seat and body shroud.
2. Unscrew the motor brush caps. See figure 22.
3. Remove the brushes.
4. Inspect for wear. See figure 23.
5. Replace brushes, if necessary. Contact your authorised Pride provider for replacement brushes.

*NOTE: Failure to maintain the brushes could void your power chair's warranty.*

### When to See Your Authorised Pride Provider for Service

The following symptoms could indicate a serious problem with your power chair. If necessary, contact your authorised Pride provider. When calling, have the model number, serial number, nature of the problem, and the trouble code if available.

- Motor noise
- Frayed harnesses
- Cracked or broken connectors
- Uneven wear on any of the tyres
- Jerky motion
- Pulling to one side
- Bent or broken wheel assemblies
- Does not power up
- Powers up, but does not move

### Corrective Maintenance

If the battery condition meter does not light up when you turn on the power:

- Check the harness connections. Make sure they are tight.
- Check the circuit breaker. Reset it if necessary.
- Check the battery connections.

If the above conditions prove normal, you can load test the batteries with a battery load tester. These testers are available at automotive parts stores. Disconnect both batteries before load testing and follow the directions that come with the load tester. If either one of the batteries fails the load test, replace both of them. If your power chair still does not power up, contact your authorised Pride provider.



Figure 22. Motor

MOTOR BRUSH CAP

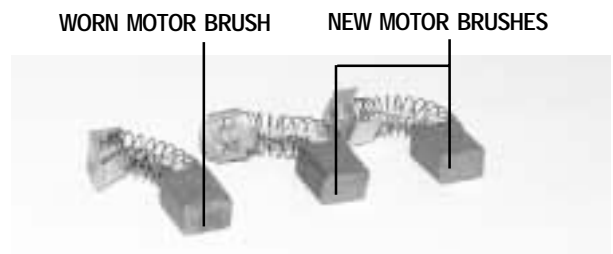


Figure 23. Motor Brushes

# IX . OPTIONAL ACCESSORIES

## OPTIONAL ACCESSORIES

The following accessories are available from your authorised Pride provider.

### **Positioning Belt**

The positioning belt is designed to support your torso so that you do not slide down or forward in the seat.

- The positioning belt is not designed for use as a restraining device.
- Make sure the belt is secure but does not cause discomfort.

*NOTE: The positioning belt is not designed for use as a seat belt in a motor vehicle. Nor is your Jazzy suitable for use as a seat in any vehicle. Anyone traveling in a vehicle should be properly belted into seats approved by the vehicle manufacturer.*

### **Cane and Crutch Holder**

The removable cane and crutch holder is mounted to the back of the seat by means of the accessory bracket.

### **Walker Holder**

The removable walker holder is mounted to the back of the seat by means of the accessory bracket. It can hold a standard size walker.

### **Cup Holder**

The cup holder is mounted to the armrest.

### **Oxygen Tank Holder**

The removable oxygen tank holder is mounted to the back of the seat by means of the accessory bracket.

### **Rear Basket**

The rear basket is mounted to the accessory bracket. It has a handle that you can use when you remove the basket.

### **Swing-Away Joystick Bracket**

This option enables you to move the joystick from the front of the armrest to the side of the armrest without disconnecting it.

### **Dust Cover**

These sturdy canvas covers help protect your Jazzy when not in use.

# X . W A R R A N T Y

## FIVE-YEAR LIMITED WARRANTY

Structural frame components, including platform, fork, seat post, and frame welds.

## TWO-YEAR LIMITED WARRANTY

Drive train, including differential, motor, and brake.

## ONE-YEAR LIMITED WARRANTY

Your Pride Jazzy is fully guaranteed for twelve (12) months from the date of purchase against faults arising due to defects in manufacture or materials. This warranty does not detract from, but is in addition to your legal rights.

All electronic parts, including controllers and battery chargers, have a one (1) year warranty. Servicing to the controller or battery charger must be carried out by your authorised Pride provider. Any attempt to open or dismantle these items renders the guarantee void on that item.

## NOT COVERED UNDER WARRANTY

This guarantee does not extend to those items which may need replacement due to normal wear and tear (tyres, belts, bulbs, upholstery, plastic shrouds, motor brushes, fuses, and batteries), or damage to the product caused by misuse or accident for which Pride or its agent cannot be held responsible. This warranty does not include labor or service calls.

## BATTERIES

Batteries are covered by a twelve (12) month warranty from the original manufacturer.

Gradual deterioration in performance due to being left in a discharged state, left in cold conditions for long periods of time, or worn out through heavy use is not covered.

## SERVICE CHECKS AND WARRANTY SERVICE

Warranty service can be performed by your authorised Pride provider. Please contact your authorised Pride provider for advice on the current cost affecting the service visit.

# NOTES