

Spare Parts Catalogue

Version: 2007/08/01a



Rea[®] **Azalea**

TABLE OF CONTENTS



Chassis

Backrest stay	5
Chassis	6
Backrest + seat tilt electric manoeuvred	7
Chassis extender	8
Backrest + seat tilt assistant manoeuvred	9
Kit, Azalea Tall	10
Castor attachment, fixed	11



Seat

Sliding seat	12
Seat cushions	13



Backrest

Cushions, fixed & adj. backrest	14
Backrest "Flex2", fixed	15
Backrest "Flex2", adjustable	16
Cushions, adjustable backrest	17
Curvature cushion	18



Legrests

Legrest, AA, Alu2003	19
Legrest attachment	20
Legrest 80° Alu2003, Fixed	21
Legrest 90° Alu2003, Fixed	22



Footrests

Footrest, fixed, Alu2003	23
Footrest, AA, Alu2003	24
Calf strap, Alu2003 legrest	26
Amputee legrest, Alu2003	27
Footrest 90°, Alu2003	28
Central footrest	30
Footrest one piece 90°	31
Footrest AA, Poirier	32
Heel strap	33
Extender, footplate	34



Siderests

Armrest, wide pad	35
Armrest attachment	36
Armrest	37
Armrest, padded	38
Armrest, hemiplegic	39



Front Wheels

Castor wheels	40
---------------	----



Rear Wheels

Wheel 24-22-20" DB	41
--------------------	----

TABLE OF CONTENTS

Wheels 16"	43
Wheels 24" Basic	44
Wheels 24" Basic DB	45
Wheel 24-22-20"	46



Brakes

Drumbrake, assistent manoeuvered	49
Brake attachment	50
Brakes	51

Safety Options

Anti-tip device	52
Reflector	53
Pelvic belt	54



Seating Options

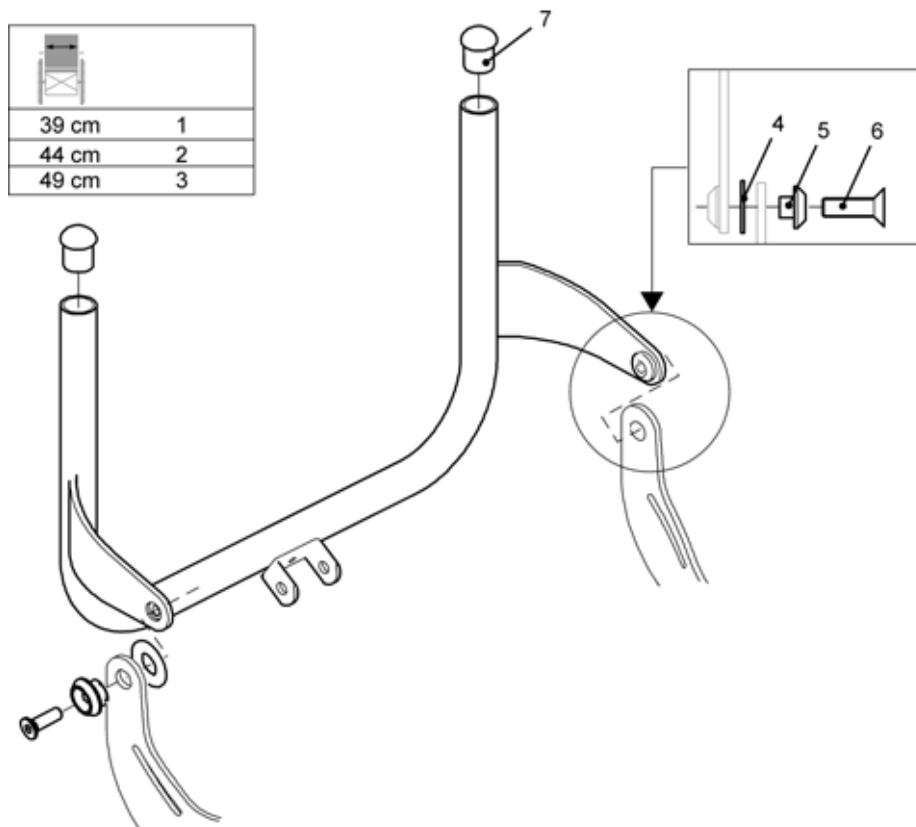
Pommel	55
Neckrest	56
Headrest	57
Cheek support	58
Trunk support "swingaway"	59
Trunk support, multi adjustable	60
Trunk support	61



Others Options & Accessories

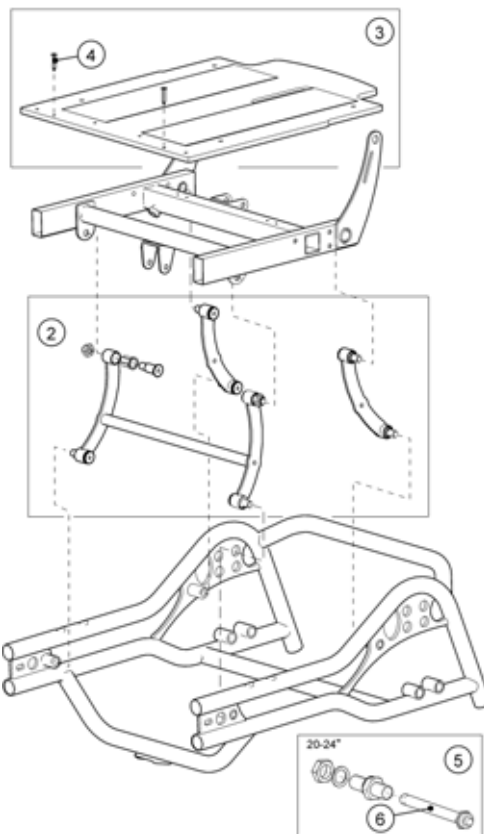
Push handles, connected	62
Table tray "Swingaway"	63
Table tray	64
Incontinents cover	65
Push bar	66
Crutch holder	67

Backrest stay



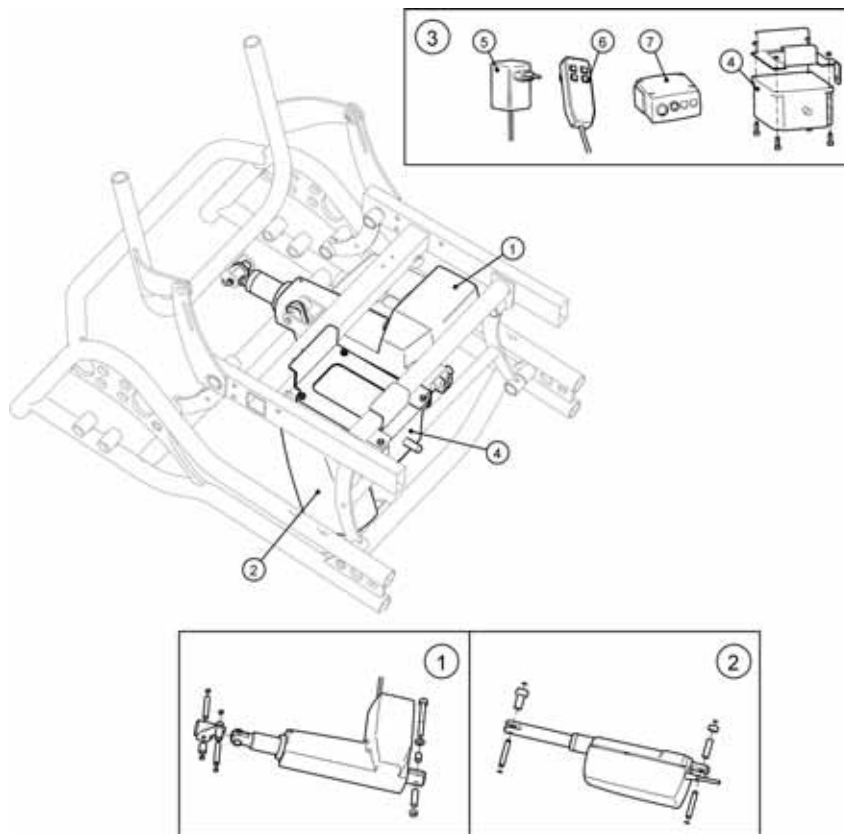
Pos.	Part number	Description	Qty
1	1448680	BACKREST BOW 292X266 CPL.	1
2	1448681	BACKREST BOW 342X266 CPL.	1
3	1448682	BACKREST BOW 392X266 CPL.	1
4	5724291	SCREW MF6S M6X20 DRI-LOC	1
5	1415432-0003	SLEEVE BACKREST ATTACHMENT	1
6	1415464	SPACER B25X1.5X12	1
7	5716478	PLASTIC SLEEVE SFL 21, BLACK	1

Chassis



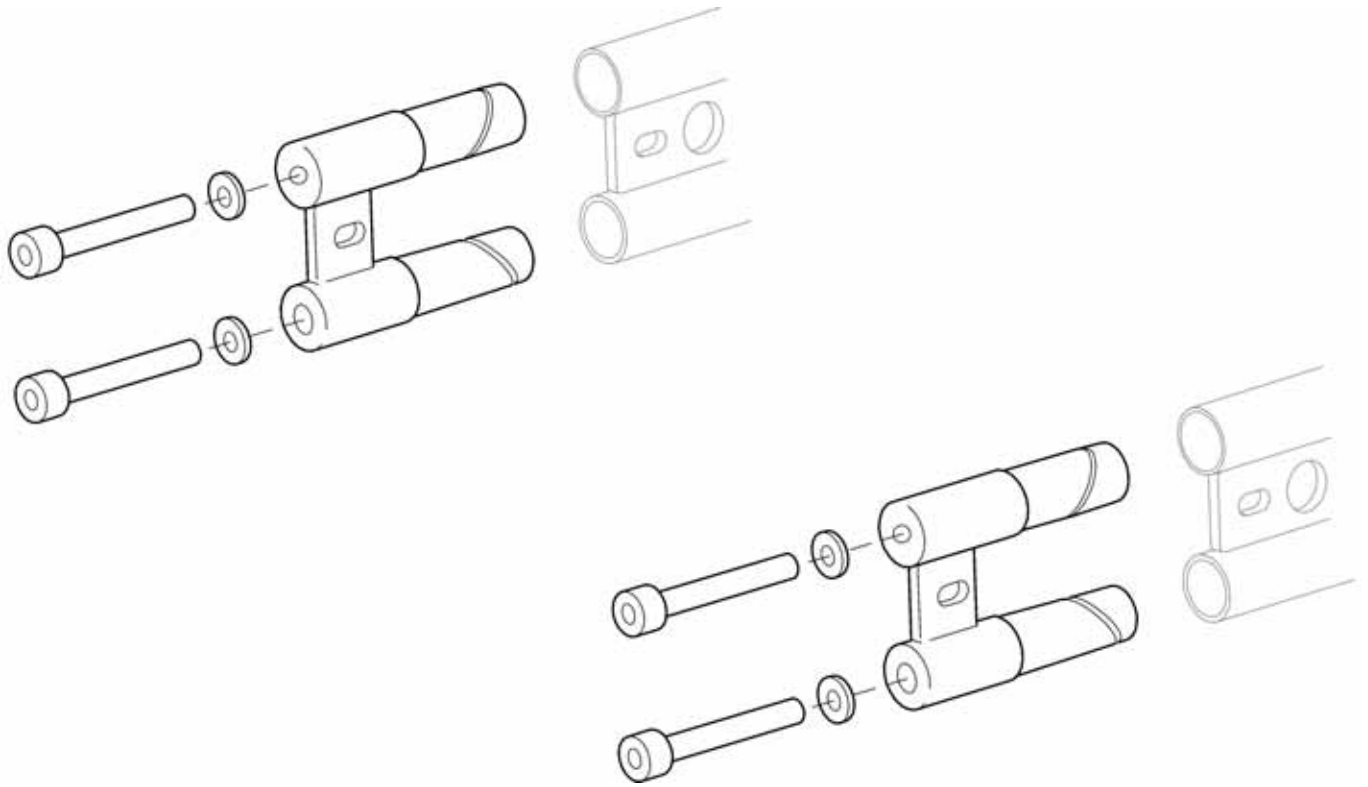
Pos.	Part number	Description	Qty
1	1448674-0509	SEATFRAME 39, AZALEA	1
1	1448675-0509	SEATFRAME 44, AZALEA	1
1	1448676-0509	SEATFRAME 49, AZALEA	1
2	1451810	KIT, LINK ARM, SEATFRAME 39, AZALEA	1
2	1451811	KIT, LINK ARM, SEATFRAME 44, AZALEA	1
2	1451839	KIT, LINK ARM, SEATFRAME 49, AZALEA	1
3	1508135	SEATPLATE 350X420 CPL.	1
3	1508136	SEATPLATE 400X420 CPL.	1
3	1508137	SEATPLATE 450X420 CPL.	1
4	5724100	SCREW KFXS H ST4, 2X25 ZN.PL	1
5	1507980	HUB CPL QR,MBL-TEKNIK SPINX	1
6	5750165	WHEELAXLE QR	1

Backrest + seat tilt electric manoeuvred



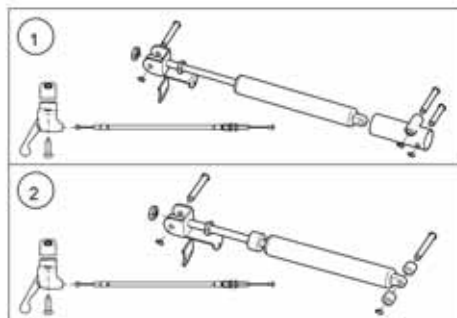
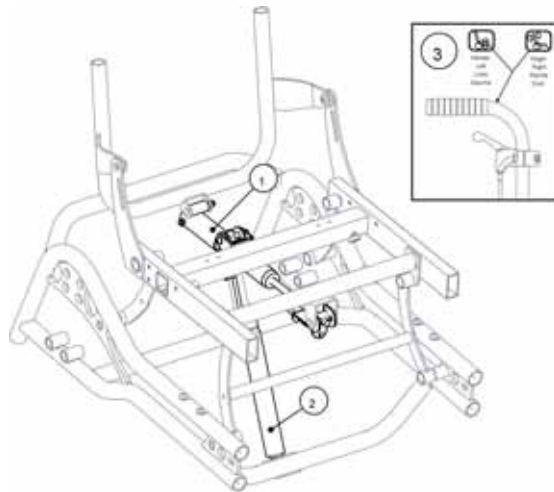
Pos.	Part number	Description	Qty
	1483996	KIT EL-TILT, AZALEA ASSIST	1
	1484820	KIT EL-TILT, AZALEA	1
1	1492904	PISTON LA31 CPL, BACKREST, AZALEA	1
2	1492938	PISTON LA31 CPL, SEAT, AZALEA	1
2	1493020	KIT EL-TILT UNIT, AZALEA	1
3	1492939	KIT, STERING UNIT	1
4	1493097	BATTERY CPL., AZALEA	1
5	5738672	BATTERY CHARGER STD,ASSI	1
6	1492696	HAND CONTROL HB40	1
7	1492678	CONTROL UNIT CB7	1

Chassis extender



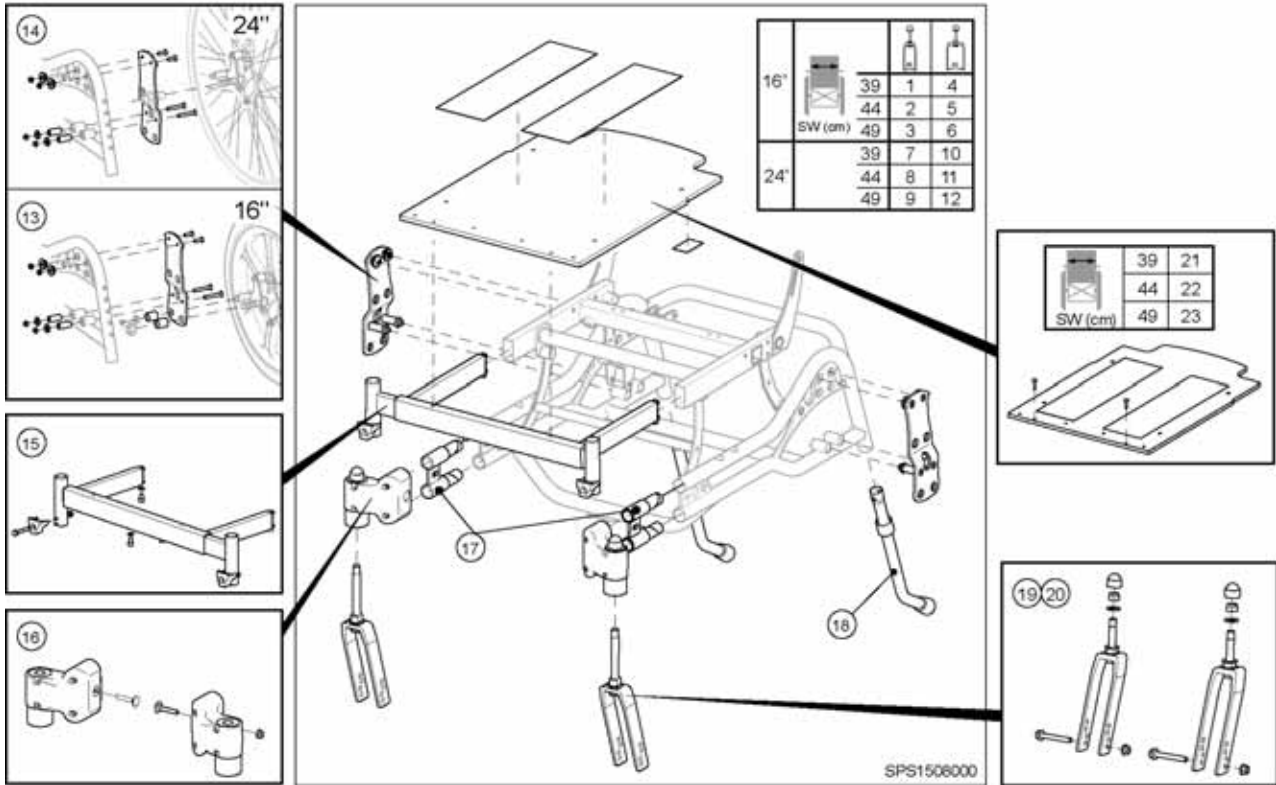
Pos.	Part number	Description	Qty
	1484535	CHASSIS EXTENDER KPL, PAIR, AZALEA	1

Backrest + seat tilt assistant manoeuvred



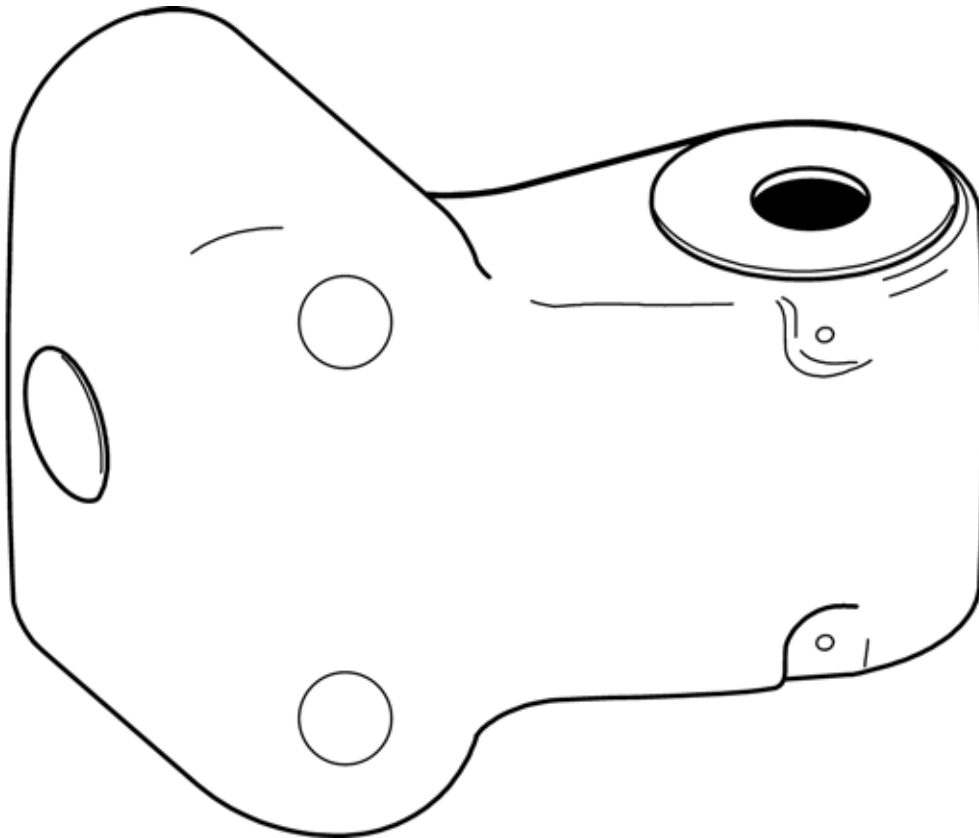
Pos.	Part number	Description	Qty
1	1488866	MANOEUVERING KIT, BACKREST, CPL, AZALEA	1
2	1488867	MANOEUVERING KIT, SEAT, CPL, AZALEA	1
2	1488868	MANOEUVERING KIT, SEAT, CPL, AZALEA ASSIST	1
3	5255381	DECAL, CABLE ASSEMBLY	1

Kit, Azalea Tall




Pos.	Part number	Description	Qty
1	1508000	AZALEA TALL 16", 39 CPL KIT, NARROW FORK	1
2	1508001	AZALEA TALL 16", 44 CPL KIT, NARROW FORK	1
3	1508002	AZALEA TALL 16", 49 CPL KIT, NARROW FORK	1
4	1508020	AZALEA TALL 16", 39 CPL KIT, WIDE FORK	1
5	1508021	AZALEA TALL 16", 44 CPL KIT, WIDE FORK	1
6	1508022	AZALEA TALL 16", 49 CPL KIT, WIDE FORK	1
7	1507958	AZALEA TALL 39 CPL KIT, NARROW FORK	1
8	1507998	AZALEA TALL 44 CPL KIT, NARROW FORK	1
9	1507999	AZALEA TALL 49 CPL KIT, NARROW FORK	1
10	1508017	AZALEA TALL 39 CPL KIT, WIDE FORK	1
11	1508018	AZALEA TALL 44 CPL KIT, WIDE FORK	1
12	1508019	AZALEA TALL 49 CPL KIT, WIDE FORK	1
13	1508006	DRIVE WHEEL ATTACH. , 16" PAIR	1
14	1508007	DRIVE WHEEL ATTACH. , 24" PAIR	1
15	1507966-0509	LEGREST ATTACH. 39 CPL, ADJUSTABLE	1
15	1507967-0509	LEGREST ATTACH. 44 CPL, ADJUSTABLE	1
15	1507968-0509	LEGREST ATTACH. 49 CPL, ADJUSTABLE	1
16	1508003	CASTOR HOUSING PAIR,	1
17	1484535	CHASSIS EXTENDER KPL, PAIR, AZALEA	1
18	1508008	ANTI-TIP DEVICE PAIR, TALL	1
19	1508011	CASTOR FORK CPL PAIR, NARROW	1
20	1508010	CASTOR FORK CPL PAIR, WIDE	1
21	1508138	SEATPLATE 350X470 CPL.	1
22	1508139	SEATPLATE 420X470 CPL.	1
23	1508140	SEATPLATE 450X470 CPL.	1

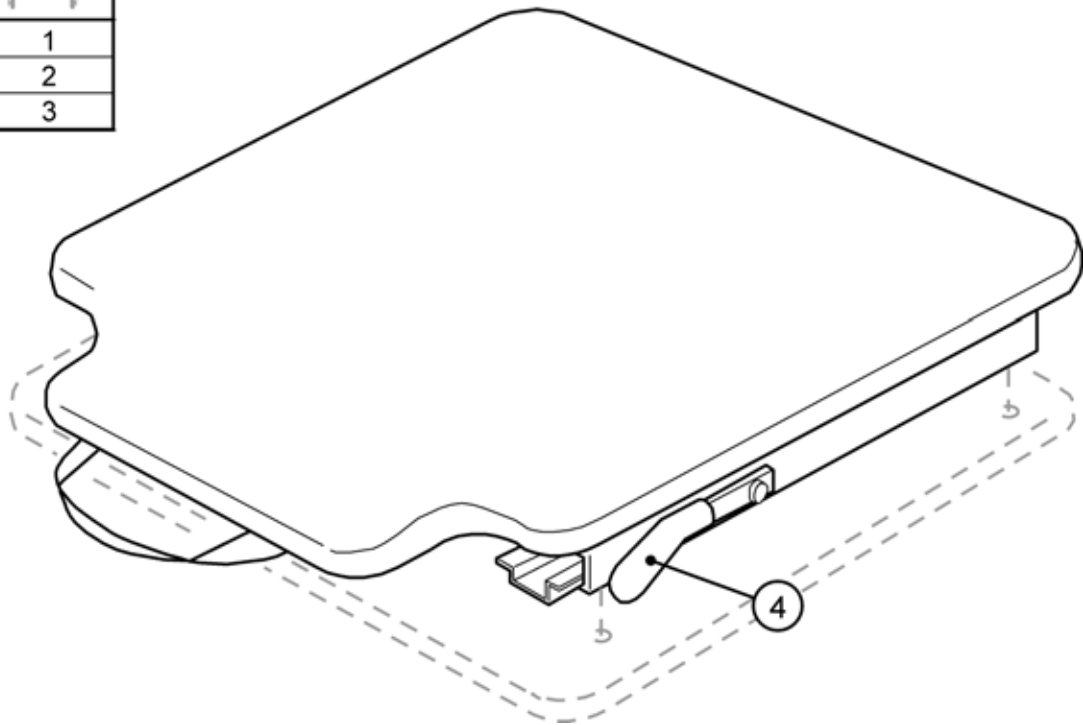
Castor attachment, fixed



Pos.	Part number	Description	Qty
	5254308	CASTOR HOUSING FIXED	1

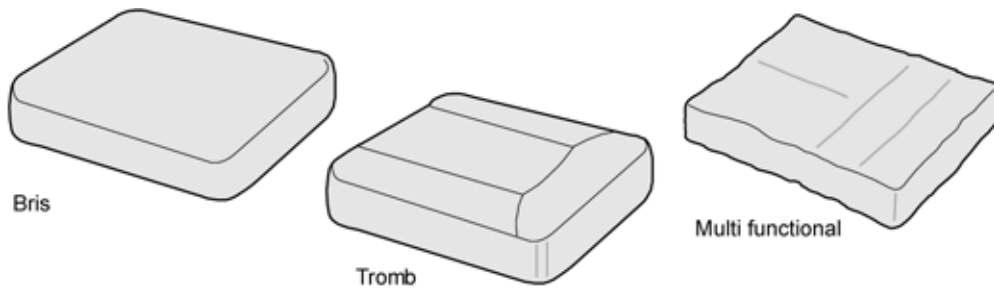
Sliding seat

	
SW (cm)	Qty
39	1
44	2
49	3



Pos.	Part number	Description	Qty
1	1484576	SLIDING SEAT 39, AZALEA	1
2	1484577	SLIDING SEAT 44, AZALEA	1
3	1484578	SLIDING SEAT 49, AZALEA	1
4	5252578	HANDLE, SLIDING SEAT	1

Seat cushions



ReaAzaleaReaAzalea Assist

	SW (cm)	BRIS	TROMB	MULTI FUNCTIONAL
Small (39cm)	39	1	5	9
	44	2	6	10
	49	2	6	11
Medium (44cm)	44	2	6	10
	49	3	7	11
	54	3	7	12
Large (49cm)	49	3	7	11
	54	4	8	12
	59	4	8	12

ReaAssist

	SW (cm)	BRIS	TROMB	MULTI FUNCTIONAL
40-50 cm	40 - 46	2	6	10
	47 - 50	3	7	11
45-55 cm	47 - 51	3	7	11
	52 - 55	4	8	12

ReaBellisReaBellis 150*

	SW (cm)	BRIS	TROMB	MULTI FUNCTIONAL
Small	41	1	5	10
Medium	46	2	6	11
Large*	51	4	8	12

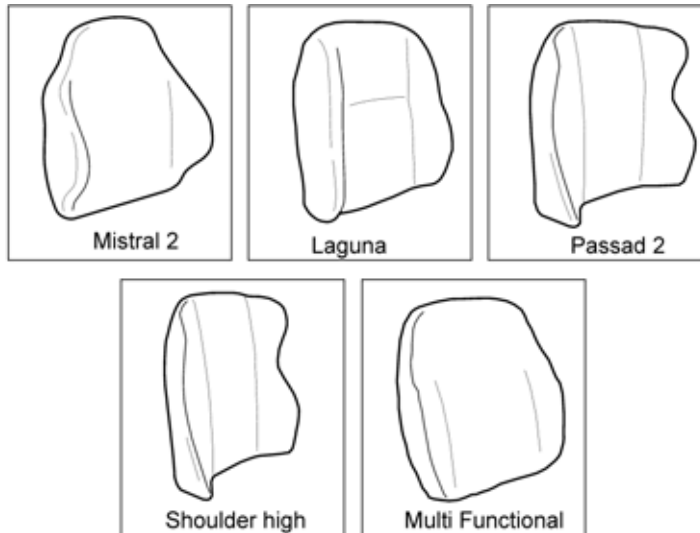
ReaComfort

	SW (cm)	BRIS	TROMB	MULTI FUNCTIONAL
	39	1	5	9
	44	2	6	10
	49	3	7	11

	Färg	Colour	Farbe	Couleur
TR23	dartex grå	dartex grey	dartex grau	dartex gris
TR32	plysch grå PRIMA	plush grey PRIMA	Plüsch grau PRIMA	velours gris PRIMA

Pos.	Part number	Description	Qty
1	5252518-TR23	CUSHION, SEAT "BRIS" 365X540, DARTEX GREY	1
1	5252518-TR32	CUSHION, SEAT "BRIS" 365X540, PLUSH GREY PRIMA	1
2	5252519-TR23	CUSHION BRIS 415X540, SEAT, TR23	1
2	5252519-TR32	CUSHION BRIS 415X540, SEAT, TR32	1
3	5252520-TR23	CUSHION BRIS 465X540, SEAT, TR23	1
3	5252520-TR32	CUSHION BRIS 465X540, SEAT, TR32	1
4	5252546-TR23	CUSHION BRIS 515X540, SEAT, TR23	1
4	5252546-TR32	CUSHION BRIS 515X540, SEAT, TR32	1
5	5252582-TR23	CUSHION, SEAT "TROMB" 360X530, DARTEX GREY	1
5	5252582-TR32	CUSHION, SEAT "TROMB" 360X530, PLUSH GREY PRIMA	1
6	5252583-TR23	CUSHION TROMB 410X530, SEAT, TR23	1
6	5252583-TR32	CUSHION TROMB 410X530, SEAT, TR32	1
7	5252584-TR23	CUSHION TROMB 460X530, SEAT, TR23	1
7	5252584-TR32	CUSHION TROMB 460X530, SEAT, TR32	1
8	5252601-TR23	CUSHION TROMB 510X530, SEAT, TR23	1
8	5252601-TR32	CUSHION TROMB 510X530, SEAT, TR32	1
9	1497347	CUSHION SEAT 37X52 AC MULTI 37X52X11	1
10	1497348	CUSHION SEAT 40X52 AC MULTI 40X52X11	1
11	1497349	CUSHION SEAT 45X52 AC MULTI 45X52X11	1
12	1497387	CUSHION SEAT 50X52 AC MULTI 50X52X11	1

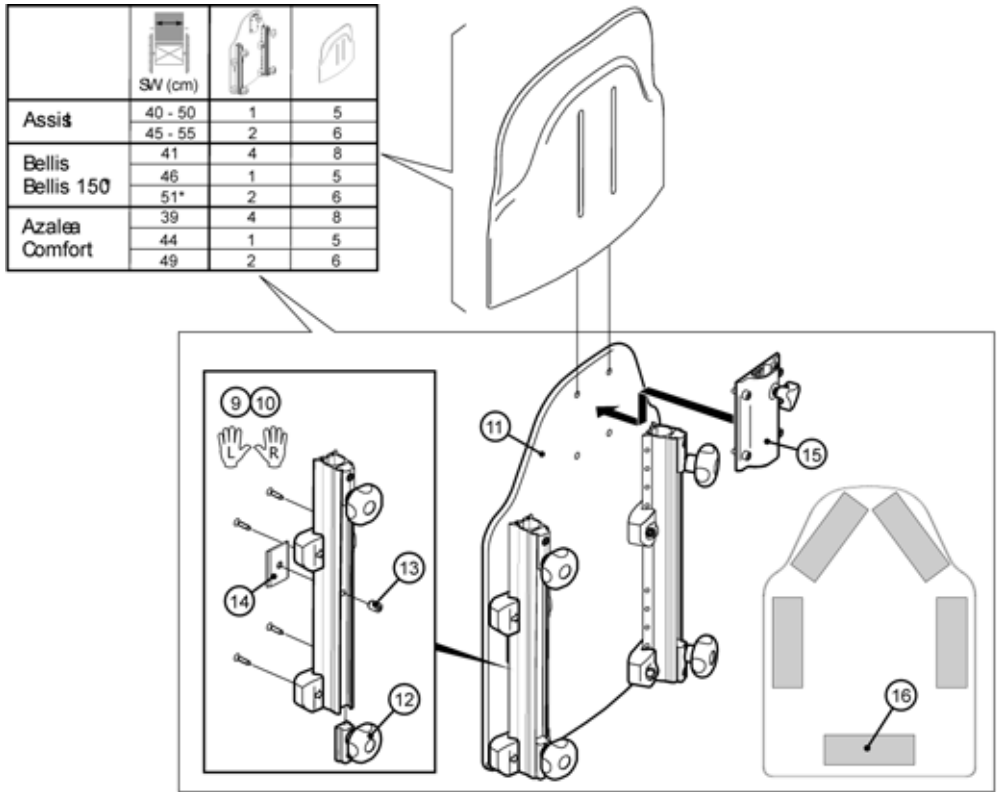
Cushions, fixed & adj. backrest



	 SV (cm)	Mistral2	Laguna	Passad2	Shoulder high	Multi functional
Rea Assist	45-50	2	6	10	14	18
Rea 705 Silencio	45-55	3	7	11	15	19
Rea Bellis	41 (S)	2	6	10	14	18
	46 (M)	3	7	11	15	19
Rea Bellis 150*	51* (L)	4	8	12	16	20
Rea Azalea	39	1	5	9	13	17
Rea Comfort	44	2	6	10	14	18
Rea 704 Silencio	49	3	7	11	15	19

Pos.	Part number	Description	Qty
1	1431668	CUSHION, BACKREST "MISTRAL2" 355X510, DARTEX GREY	1
1	1431669	CUSHION, BACKREST "MISTRAL2" 355X510, PLUSH GREY PRIMA	1
2	1424651	CUSHION MISTRAL 2 405X510, BACKREST, TR23	1
2	1435404	CUSHION MISTRAL 2 405X510, BACKREST, TR32	1
3	1424652	CUSHION MISTRAL 2 455X510, BACKREST, TR23	1
3	1435405	CUSHION MISTRAL 2 455X510, BACKREST, TR32	1
4	1424653	CUSHION MISTRAL 2 505X510, BACKREST, TR23	1
4	1435406	CUSHION MISTRAL 2 505X510, BACKREST, TR32	1
5	1427118	CUSHION, BACKREST "LAGUNA" 372X550, DARTEX GREY	1
5	1444339	CUSHION, BACKREST "LAGUNA" 372X550, PLUSH GREY PRIMA	1
6	1427119	CUSHION LAGUNA 402X550, BACKREST, TR23	1
6	1435798	CUSHION LAGUNA 402X550, BACKREST, TR32	1
7	1427120	CUSHION LAGUNA 452X550, BACKREST, TR23	1
7	1444340	CUSHION LAGUNA 452X550, BACKREST, TR32	1
8	1427121	CUSHION LAGUNA 492X550, BACKREST, TR23	1
8	1444341	CUSHION LAGUNA 492X550, BACKREST, TR32	1
9	1429271	CUSHION, BACKREST "PASSAD2" 440X550, DARTEX GREY	1
9	1444328	CUSHION, BACKREST "PASSAD2" 440X550, PLUSH GREY PRIMA	1
10	1424647	CUSHION,PA2 470X550 BACKR.S.TR23	1
10	1444329	CUSHION PASSAD 2 470X550, BACKREST, TR32	1
11	1424649	CUSHION,PA2 520X550 BACKR.M.TR23	1
11	1444330	CUSHION PASSAD 2 520X550, BACKREST, TR32	1
12	1429278	CUSHION PASSAD 2580X550, BACKREST LARGE, TR23	1
12	1444331	CUSHION PASSAD 2 580X550, BACKREST, TR32	1
13	1444275	CUSHION, BACKREST "SHOULDER HIGH" 440X650, DARTEX GREY	1
14	1444276	CUSHION SHOULDER HIGH 470X650, BACKREST, TR23	1
15	1444277	CUSHION SHOULDER HIGH 520X650, BACKREST, TR23	1
16	1444278	CUSHION SHOULDER HIGH 580X650, BACKREST, TR23	1
17	1435592	CUSHION, BACKREST "MULTI FUNC." 370X540, DARTEX GREY	1
18	1445741	CUSHION, BACKREST "MULTI FUNC." 400X540, DARTEX GREY	1
19	1445742	CUSHION, BACKREST "MULTI FUNC." 450X540, DARTEX GREY	1
20	1445743	CUSHION, BACKREST "MULTI FUNC." 500X540, DARTEX GREY	1

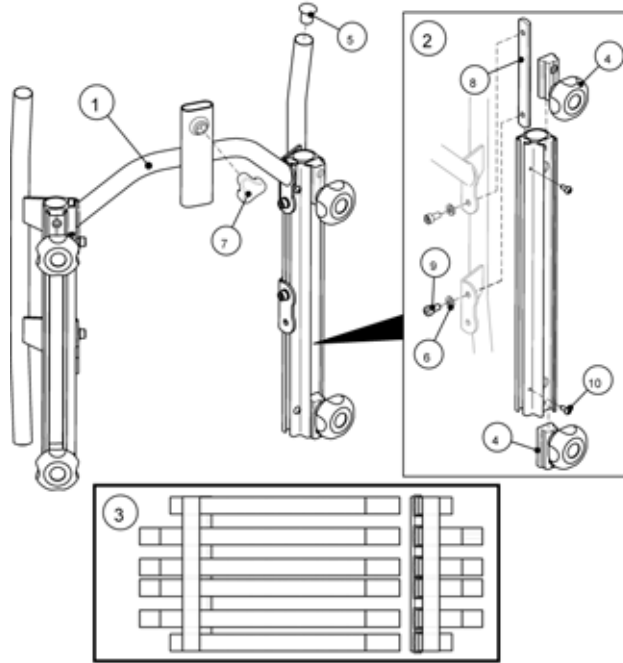
Backrest "Flex2", fixed



SPS1440151

Pos.	Part number	Description	Qty
1	1440151	BACKREST "FLEX2" 292 CPL.	1
2	1440152	BACKREST PLATE FLEX 2 405X485 CPL	1
3	1440153	BACKREST PLATE FLEX 2 455X485 CPL	1
4	1440154	BACKREST PLATE FLEX 2 505X485 CPL	1
5	1440147	EXTENDER, BACKREST "FLEX2" 292	1
6	1440148	EXTENDER 405X290 CPL, BACKREST FLEX 2	1
7	1440149	EXTENDER 455X290 CPL, BACKREST FLEX 2	1
8	1440150	EXTENDER 505X290 CPL, BACKREST FLEX 2	1
9	1446008	RAIL, BACKREST "FLEX2" FIXED, RIGHT, CPL.	1
10	1446009	RAIL, BACKREST "FLEX2" FIXED, LEFT, CPL.	1
11	1440143	PLATE, BACKREST "FLEX2" 292 CPL	1
11	1440144	PLATE, BACKREST "FLEX2" 342 CPL	1
11	1440145	PLATE, BACKREST "FLEX2" 392 CPL	1
11	1440146	PLATE, BACKREST "FLEX2" 442 CPL	1
12	5253088	LOCKING DEVICE CPL	1
13	5723904	SCREW MF6S M6X8 DIN 7991	1
14	1446015	STOP, BACKREST RAIL	1
15	1446010	ATTACHMENT, NECK-/HEADREST, CPL.	1
16	5254139	VELCRO HOOK 150MM	1

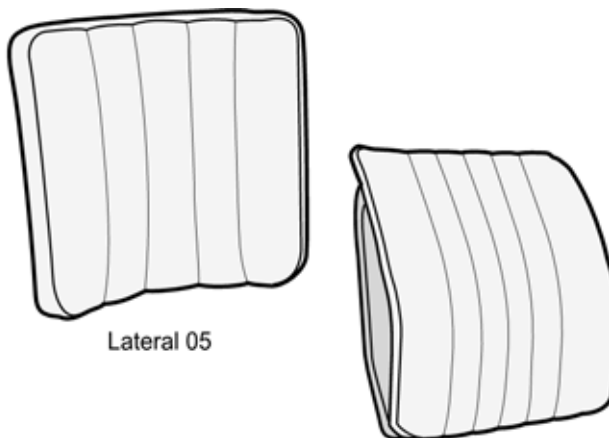
Backrest "Flex2", adjustable



Rea Assis t / 705 S C	Rea Bell s	Rea Comfo rt Rea Azalea	Size
		39	292
40-50	41 (S)	44	342
45-55	46 (M)	49	392
	51(L)		442

Pos.	Part number	Description	Qty
	1445697	BACKREST, ADJUSTABLE, 292, CPL.	1
	1445698	BACKREST, ADJUSTABLE 342	1
	1445699	BACKREST, ADJUSTABLE 392	1
	1445700	BACKREST, ADJUSTABLE 442	1
1	1445844-0509	BACKREST FRAME 292 CPL.	1
1	1445845-0509	BACKREST FRAME 342 CPL.	1
1	1445846-0509	BACKREST FRAME 392 CPL.	1
1	1445847-0509	BACKREST FRAME 442 CPL.	1
2	1445848	RAIL, BACKREST, ADJ. BACKREST (FLEX2), CPL	1
3	1445694	BACKREST BODY ADJ.	1
4	5253088	LOCKING DEVICE CPL	1
5	5716478	PLASTIC SLEEVE SFL 21, BLACK	1
6	5729091	WASHER 6.4X12.5X1.5	1
7	1444175	HANDWHEEL M12	1
8	1445684	MOUNTING PLATE, RAIL, ADJ. BACKREST	1
9	5723035	SCREW MC6S M6X12	1
10	5724076	SCREW RXS H ST4, 2X13	1

Cushions, adjustable backrest



Lateral 05

Thin 04

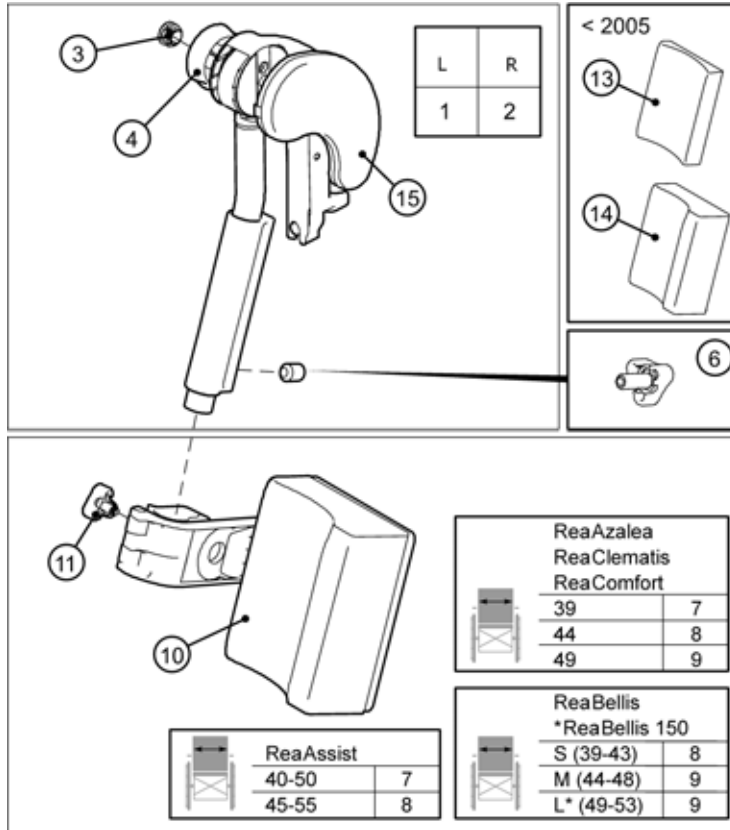
Sittbredd / Seat width / Sitz- breite / Largeur d'assise	Rea Assist (705 Sil en cio)	Rea Bellis	Rea Azalea Rea Comfort (704 Sil en cio)	Lateral	Thin04
				39	①
40-50	41 (S)		44	②	⑥
45-55	46 (M)		49	③	⑦
	51 (L)			④	⑧

Pos.	Part number	Description	Qty
1	1444344	COVER "LATERAL" 420X500, BACKREST ADJ., PLUSH GREY PRIMA	1
2	1444345	COVER LATERAL 500X460 TR32	1
3	1444346	COVER LATERAL 550X460 TR32	1
4	1444347	COVER LATERAL 600X460 TR32	1
5	1446512	COVER "THIN04" 445, BACKREST ADJ., PLUSH GREY PRIMA	1
6	1446513	COVER THIN 04 465 CPL,ADJUSTABLE BACKREST	1
7	1446522	COVER THIN 04 535 CPL,ADJUSTABLE BACKREST	1
8	1446523	COVER THIN 04 565 CPL,ADJUSTABLE BACKREST	1

Curvature cushion

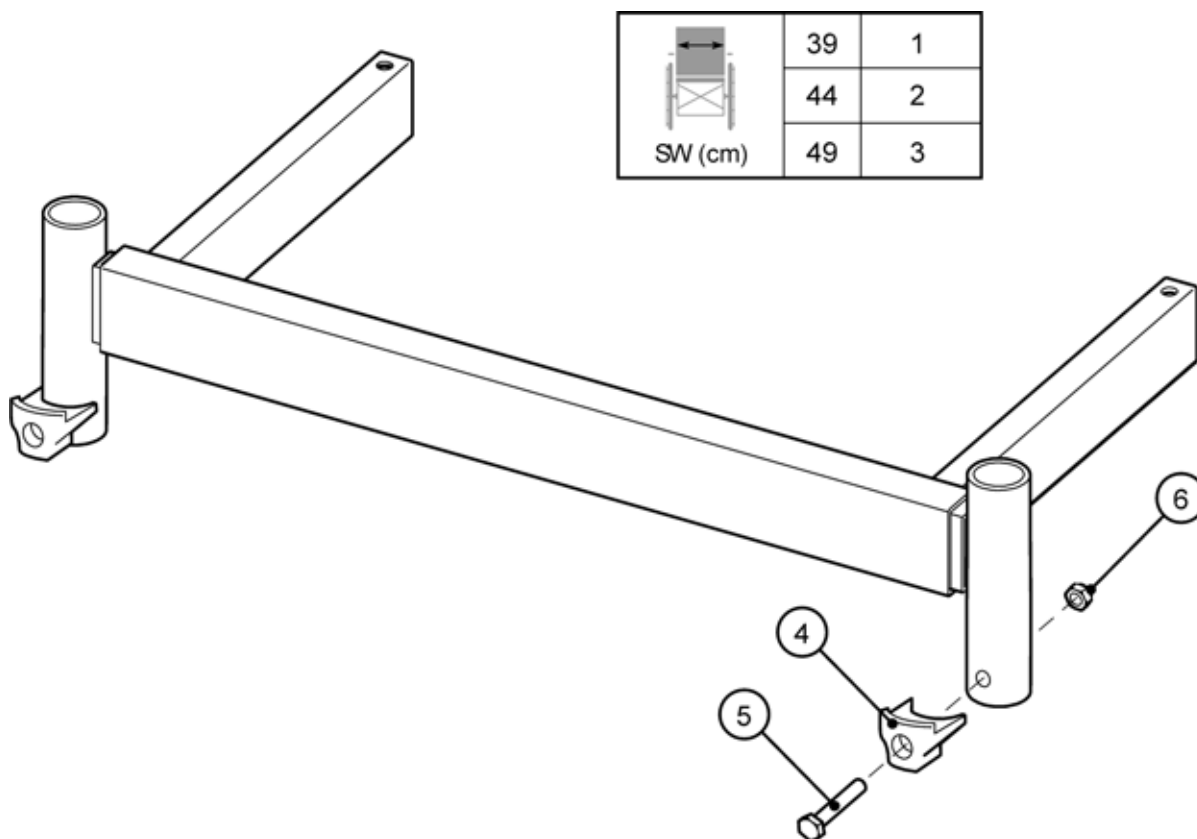
Pos.	Part number	Description	Qty
1	5252527	LUMBAR SUPPORT CUSHION	1

Legrest, AA, Alu2003



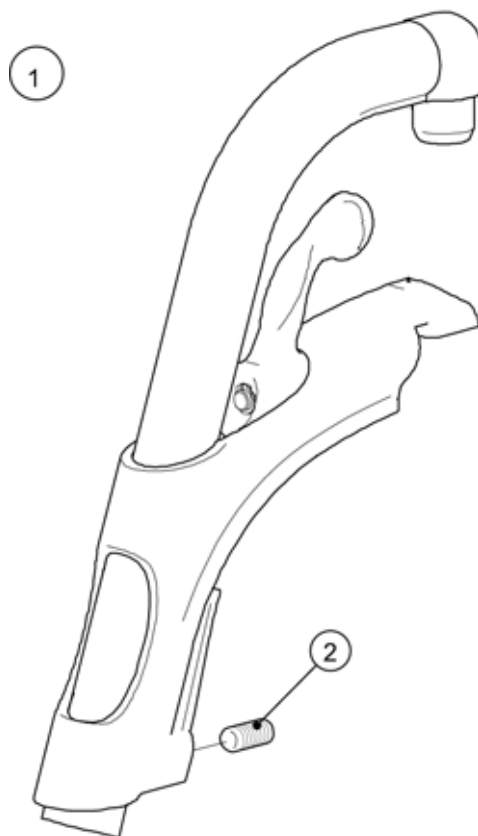
Pos.	Part number	Description	Qty
1	1445810-0509	HANGER ALU2003 AA LEFT CPL WITH KNEEPAD TR26	1
2	1445809-0509	HANGER ALU2003 AA RIGHT CPL WITH KNEEPAD TR26	1
3	5716478	PLASTIC SLEEVE SFL 21, BLACK	1
4	5716477	HANDWHEEL M8, VS LEGREST	1
5	1424571	SCREW (SPRINGSCREW)	1
6	1429326	HANDWHEEL M10, SPRING	1
7	1445766	CALFSUPPORT 16 CPL, ALU 2003, DARTEX BLACK	1
8	1445767	CALF SUPPORT CL 165x170x80 CPL, TR26	1
9	1445768	CALF SUPPORT CL 190x170x80 CPL, TR26	1
10	1445763	PAD, CALFSUPPORT 16, DARTEX BLACK	1
10	1445764	PAD, CALFSUPPORT 19, DARTEX BLACK	1
10	1445765	PAD, CALFSUPPORT 22, DARTEX BLACK	1
11	1429215	HANDWHEEL M8	1
12	1445811	KNEEPAD, LEGREST AA, LEFT, "ALU2003" CPL, DARTEX BLACK	1
12	1445812	KNEEPAD, LEGREST AA, RIGHT, "ALU2003" CPL, DARTEX BLACK	1
13	5104185	CALF PAD 16CM COATED FAB	1
13	5104186	CALF PAD 19CM COATED FAB	1
13	5104187	CALF PAD 22CM COATED FAB	1
13	5104670	CALF PAD 38 (16) CPL, JEMIMA	1
14	1439938	CALFSUPPORT PAD 16	1
14	1439939	CALFSUPPORT PAD 19	1
14	1439940	CALFSUPPORT PAD 22	1

Legrest attachment



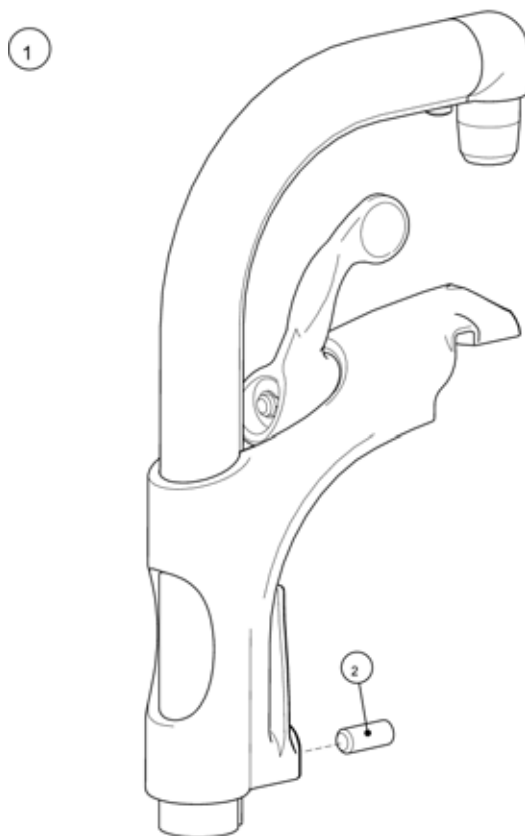
Pos.	Part number	Description	Qty
1	1449888-0509	HANGER ATTACHMENT 39 ADJ., CPL., AZALEA	1
2	1449889-0509	HANGER ATTACHMENT 44 ADJ., CPL., AZALEA	1
3	1449890-0509	HANGER ATTACHMENT 49 ADJ., CPL., AZALEA	1
4	1424533	LOCKING BLOCK, LEGREST	1
5	5723231	SCREW M6S M6X35	1
6	5726051	NUT LOC-KING M6	1

Legrest 80° Alu2003, Fixed



Pos.	Part number	Description	Qty
1	1493055-0509	HANGER ALU2003, FIXED 80 DEG, CPL 80 DEG, CPL	1
2	1424571	SCREW (SPRINGSCREW)	1

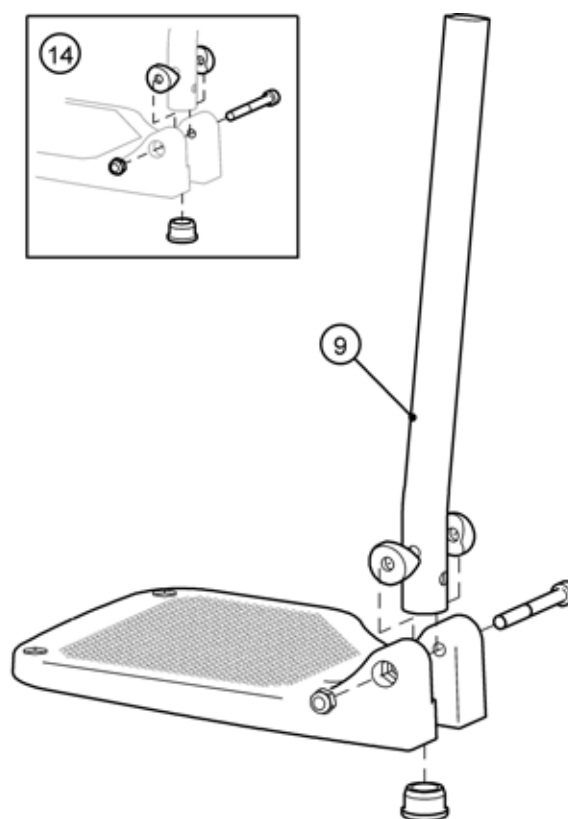
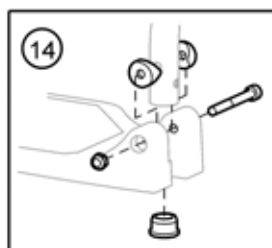
Legrest 90° Alu2003, Fixed



Pos.	Part number	Description	Qty
1	1493056-0509	HANGER FIXED 90	1
2	1424571	SCREW (SPRINGSCREW)	1


Footrest, fixed, Alu2003

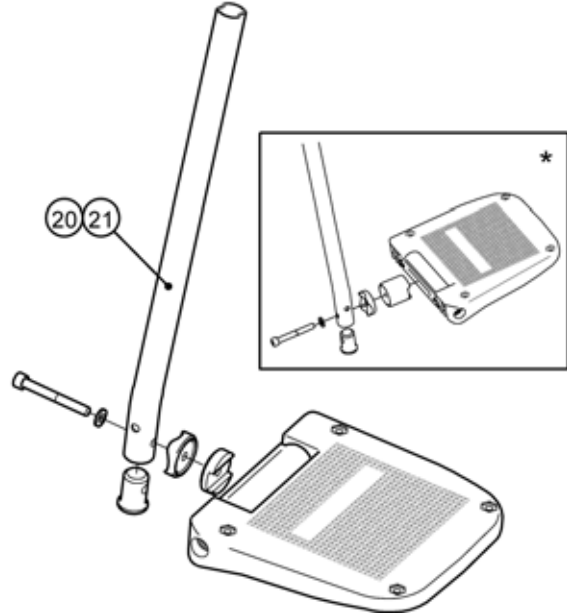
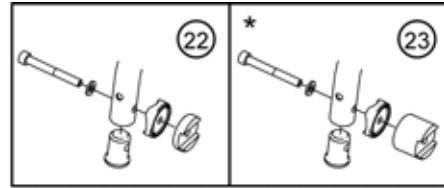
ReaAssist			
40 - 50	2	6	11
45 - 55	3	7	12
ReaBellis			
S (39 - 43)	2	6	11
M (44 - 48)	3	7	12
L (49 - 53)	4	8	13
ReaAzaleaReaComfort			
39	2	6	11
44	3	7	12
49	4	8	13
ReaClematis			
39	1	5	10
44	2	6	11
49	3	7	12
ReaFocusReaFocus 150*			
38	1	5	10
43	2	6	11
48	3	7	12
53*	3	7	12
55,5*	3	7	12
Spiř, ReaSpireã			
38 - 40,5	1	5	10
43 - 45,5	2	6	11
48 - 50,5	3	7	12



Pos.	Part number	Description	Qty
1	1428357	FOOTREST 19, "ALU2003", FIXED, SHORT, LEFT	1
1	1428358	FOOTREST 19, "ALU2003", FIXED, SHORT, RIGHT	1
2	1428361	FOOTREST 21ALU2003,LOWER PART,FIXED,SHORT,LEFT	1
2	1428362	FOOTREST 21ALU2003,LOWER PART,FIXED,SHORT,RIGHT	1
3	1428365	FOOTREST 24ALU2003,LOWER PART,FIXED,SHORT,LEFT	1
3	1428366	FOOTREST 24ALU2003,LOWER PART,FIXED,SHORT,RIGHT	1
4	1435756	FOOTREST 27ALU2003,LOWER PART,FIXED,SHORT,LEFT	1
4	1435757	FOOTREST 27ALU2003,LOWER PART,FIXED,SHORT,RIGHT	1
5	1428359	FOOTREST 19, "ALU2003", FIXED, LONG, LEFT	1
5	1428360	FOOTREST 19, "ALU2003", FIXED, LONG, RIGHT	1
6	1428363	FOOTREST 21ALU2003,LOWER PART,FIXED,LONG,LEFT	1
6	1428364	FOOTREST 21ALU2003,LOWER PART,FIXED,LONG,RIGHT	1
7	1428367	FOOTREST 24ALU2003,LOWER PART,FIXED,LONG,LEFT	1
7	1428368	FOOTREST 24ALU2003,LOWER PART,FIXED,LONG,RIGHT	1
8	1435659	FOOTREST 27ALU2003,LOWER PART,FIXED,LONG,LEFT	1
8	1435660	FOOTREST 27ALU2003,LOWER PART,FIXED,LONG,RIGHT	1
9	1424540	FOOTREST TUBE, SHORT	1
9	1427165	FOOTREST TUBE, LONG	1
10	1428340	FOOTPLATE 19, LEFT	1
10	1428341	FOOTPLATE 19, RIGHT	1
11	1424574	FOOTPLATE 21, LEFT	1
11	1424575	FOOTPLATE 21, RIGHT	1
12	1428346	FOOTPLATE 24, LEFT	1
12	1428347	FOOTPLATE 24, RIGHT	1
13	1428374	FOOTPLATE 26, LEFT	1
13	1428375	FOOTPLATE 26, RIGHT	1
14	1430433	SCREW KIT, FOOTREST FIXED	1

Footrest, AA, Alu2003

			
ReaAssist			
40 - 50	2	9	16
45 - 55	4	11	19
ReaBellis			
S (39 - 43)	5	12	18
M (44 - 48)	7*	14*	18
L (49 - 53)	7*	14*	18
ReaAzaleaReaComfort			
39	4	11	19
44	5	12	18
49	6	13	19
ReaClematis			
39	3	10	17
44	5	12	18
49	7*	14*	18
ReaFocus			
38	2	9	16
43	4	11	19
48	6*	13*	19
Spiř, ReaSpirea			
38 - 40,5	2	9	16
43 - 45,5	4	11	19
48	5*	13*	19
50,5	6*	14*	18



Pos.	Part number	Description	Qty
1	1485430	FOOTREST 12 SHORT, LE, "ALU2003"	1
1	1485524	FOOTREST 12 SHORT, RI, "ALU2003"	1
2	1429159	FOOTREST 14 AA, "ALU2003", SHORT, LEFT	1
2	1429160	FOOTREST 14 AA, "ALU2003", SHORT, RIGHT	1
3	1429161	FOOTREST 16 AA, "ALU2003", SHORT, LEFT	1
3	1429162	FOOTREST 16 AA, "ALU2003", SHORT, RIGHT	1
4	1429163	FOOTREST 17 AA, "ALU2003", SHORT, LEFT	1
4	1429164	FOOTREST 17 AA, "ALU2003", SHORT, RIGHT	1
5	1429165	FOOTREST 18ALU2003,LOWER PART,AA,SHORT,LEFT	1
5	1429166	FOOTREST 18ALU2003,LOWER PART,AA,SHORT,RIGHT	1
6	1429167	FOOTREST 19 AA, "ALU2003", SHORT, LEFT	1
6	1429168	FOOTREST 19 AA, "ALU2003", SHORT, RIGHT	1
7	1429169	FOOTREST 20 ALU2003,LOWER PART,AA,SHORT,LEFT	1
7	1429170	FOOTREST 20ALU2003,LOWER PART,AA,SHORT,RIGHT	1
8	1485428	FOOTREST 12 LONG, LE, "ALU2003"	1
8	1485429	FOOTREST 12 LONG, RI, "ALU2003"	1
9	1429171	FOOTREST 14 AA, "ALU2003", LONG, LEFT	1
9	1429172	FOOTREST 14 AA, "ALU2003", LONG, RIGHT	1
10	1429173	FOOTREST 16 AA, "ALU2003", LONG, LEFT	1
10	1429174	FOOTREST 16 AA, "ALU2003", LONG, RIGHT	1
11	1429175	FOOTREST 17 AA, "ALU2003", LONG, LEFT	1
11	1429176	FOOTREST 17 AA, "ALU2003", LONG, RIGHT	1
12	1429177	FOOTREST 18ALU2003,LOWER PART,AA,LONG,LEFT	1
12	1429178	FOOTREST 18ALU2003, LOWER PART,AA,LONG,RI	1
13	1429179	FOOTREST 19 AA, "ALU2003", LONG, LEFT	1
13	1429180	FOOTREST 19 AA, "ALU2003", LONG, RIGHT	1
14	1429181	FOOTREST 20 ALU2003, LOWER PART,AA,LONG,LEFT	1
14	1429182	FOOTREST 20 ALU2003,LOWER PART,AA,LONG,RIGHT	1
15	5106372	FOOTPLATE 12 AA, CPL.	1
16	5106374	FOOTPLATE 14 AA, CPL.	1
17	5106375	FOOTPLATE 16 AA, CPL.	1
18	5106376	FOOTPLATE 18 AA, CPL.	1
19	5106594	FOOTPLATE 17 AA, CPL.	1

Footrest, AA, Alu2003

Pos.	Part number	Description	Qty
20	1424540	FOOTREST TUBE, SHORT	1
21	1427165	FOOTREST TUBE, LONG	1
22	1430839	SCREW KIT, FOOTREST AA	1
23	1430840	SCREW KIT, FOOTREST AA EXT	1

Calf strap, Alu2003 legrest



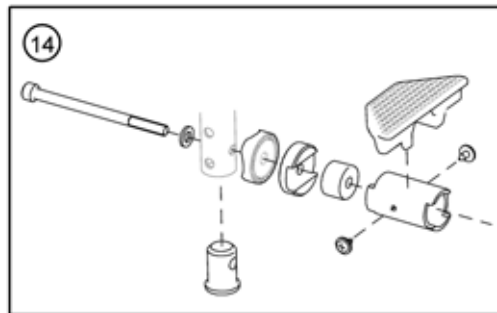
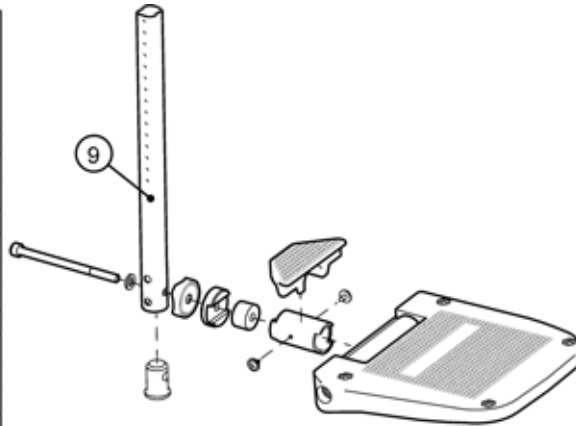
Pos.	Part number	Description	Qty
	1429214	CALFSTRAP, "ALU2003" HANGER	1

Amputee legrest, Alu2003

Pos.	Part number	Description	Qty
	1445826	AMP, LEGREST ALU 2003 160X55X220 CPL, RI, TR26	1
	1445827	AMP, LEGREST ALU 2003 160X55X220 CPL, LE, TR26	1
	1445828	AMP,LEGREST ALU 2003 190X55X220 CPL,LE,TR26	1
	1445829	AMP,LEGREST ALU 2003 190X55X220 CPL,RI,TR26	1
1	1445832	CUSHION, AMPUTEE LEGREST, SMALL (11) CPL, DARTEX BLACK	1
1	1445833	CUSHION, AMPUTEE LEGREST, LARGE (14-17) CPL, DARTEX BLACK	1

Footrest 90°, Alu2003

ReaAssist			
40 - 50	2	6	11
45 - 55	3	7	12
ReaBellis			
S (39 - 43)	2	6	11
M (44 - 48)	3	7	12
L (49 - 53)	4	8	13
ReaAzaleaReaComfort			
39	2	6	11
44	3	7	12
49	4	8	13
ReaClematis			
39	1	5	10
44	2	6	11
49	3	7	12
ReaFocus			
38	1	5	10
43	2	6	11
48	3	7	12
Spiř, ReaSpirea			
38 - 40,5	1	5	10
43 - 45,5	2	6	11
48 - 50,5	3	7	12

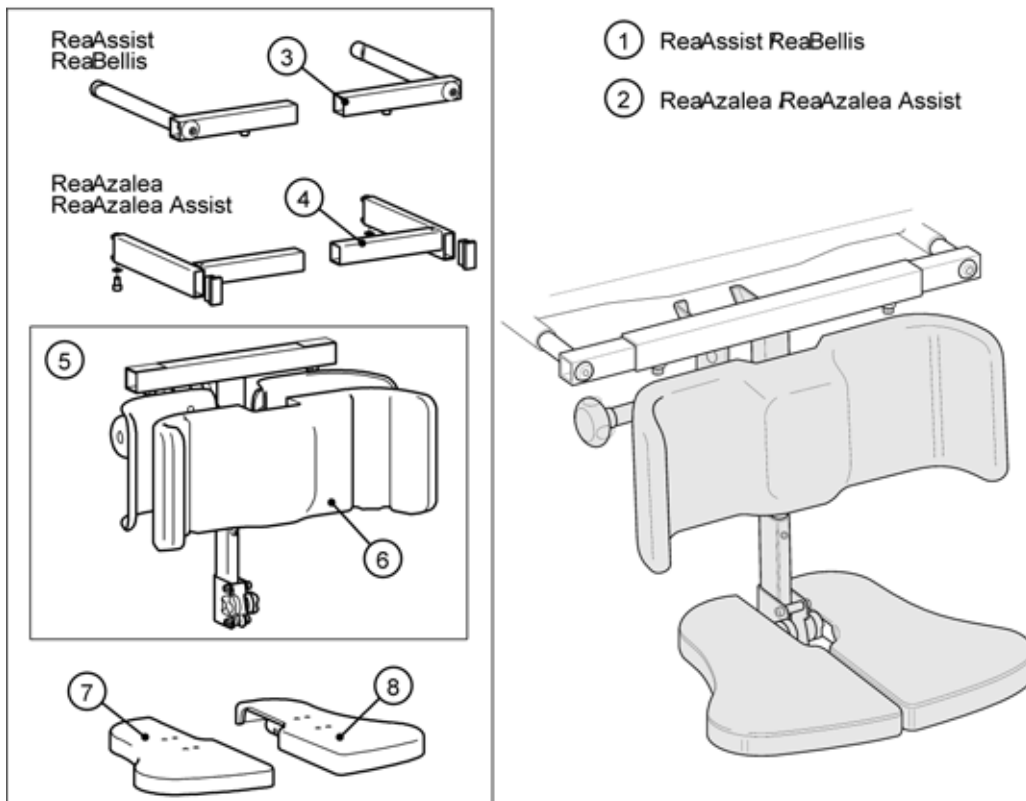


Pos.	Part number	Description	Qty
1	1446130	FOOTREST 11 AA, 90°"ALU2003", SHORT, LEFT	1
1	1446131	FOOTREST 11 AA, 90°"ALU2003", SHORT, RIGHT	1
2	1446132	FOOTREST LOWER PART 13, AA, FOOTR. 90, SHORT, LH	1
2	1446133	FOOTREST LOWER PART 13, AA, FOOTR. 90, SHORT, RH	1
2	5106373	FOOTPLATE 13 AA, CPL.	1
3	1446134	FOOTREST LOWER PART 16, AA, FOOTR. 90, SHORT, LH	1
3	1446135	FOOTREST LOWER PART 16, AA, FOOTR. 90, SHORT, RH	1
3	5106374	FOOTPLATE 14 AA, CPL.	1
4	1446159	FOOTREST LOWER PART 18, AA, FOOTR. 90, SHORT, LH	1
4	1446160	FOOTREST LOWER PART 18, AA, FOOTR. 90, SHORT, RH	1
5	1446136	FOOTREST 11 AA, 90°"ALU2003", LONG, LEFT	1
5	1446137	FOOTREST 11 AA, 90°"ALU2003", LONG, RIGHT	1
6	1446138	FOOTREST LOWER PART 13, AA, FOOTR. 90, LONG, LH	1
6	1446139	FOOTREST LOWER PART 13, AA, FOOTR. 90, LONG, RH	1
7	1446140	FOOTREST LOWER PART 16, AA, FOOTR. 90, LONG, LH	1
7	1446141	FOOTREST LOWER PART 16, AA, FOOTR. 90, LONG, RH	1
8	1446161	FOOTREST LOWER PART 18, AA, FOOTR. 90, LONG, LH	1
8	1446162	FOOTREST LOWER PART 18, AA, FOOTR. 90, LONG, RH	1
9	1440041	PLUG, STEEL	1
9	1446094	TUBE, LEGREST, SHORT (221)	1
10	1444153	EXTENDER, FOOTPLATE, 90°"ALU2003"	1
10	5106371	FOOTPLATE 11 AA, CPL.	1
11	1446044	SPACER, 90°"ALU2003"	1
11	5106373	FOOTPLATE 13 AA, CPL.	1
12	1446093	BUSHING 20X12.5	1
12	5106375	FOOTPLATE 16 AA, CPL.	1
13	1440035	TUBE, LEGREST, LONG (346)	1
13	5106376	FOOTPLATE 18 AA, CPL.	1
14	1446129	SCREW MC6S M6X90 12.9	1
14	1497913	SCREW KIT FOOTREST 90 ALU 2004	1
15	5104883	LOCKING DISC, ANGULAR ADJ., ROUNDED	1
16	5106080	LOCKING DISC, ANGULAR ADJ.	1
17	5724208	SCREW RXSB ST3, 2*9, 5	1

Footrest 90°, Alu2003

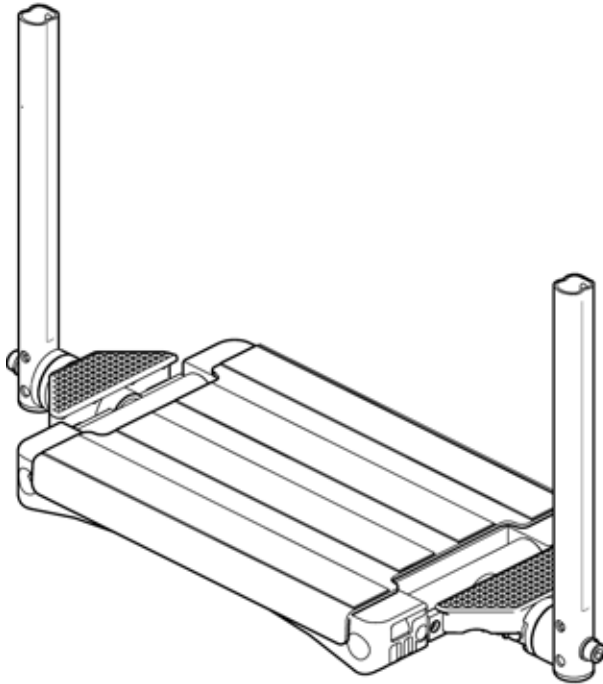
Pos.	Part number	Description	Qty
18	5729091	WASHER 6.4X12.5X1.5	1
19	5106371	FOOTPLATE 11 AA, CPL.	1
21	5106375	FOOTPLATE 16 AA, CPL.	1
22	5106376	FOOTPLATE 18 AA, CPL.	1
23	1491369	FOOTREST 12 AA, 90°"ALU2003", SHORT, LEFT	1
23	1491370	FOOTREST 12 AA, 90°"ALU2003", SHORT, RIGHT	1
24	1491371	FOOTREST 14 AA, 90°"ALU2003", SHORT, LEFT	1
24	1491372	FOOTREST 14 AA, 90°"ALU2003", SHORT, RIGHT	1
25	1491375	FOOTREST 17 AA, 90°"ALU2003", SHORT, LEFT	1
25	1491376	FOOTREST 17 AA, 90°"ALU2003", SHORT, RIGHT	1
26	1491377	FOOTREST 12 AA, 90°"ALU2003", LONG, LEFT	1
26	1491378	FOOTREST 12 AA, 90°"ALU2003", LONG, RIGHT	1
27	1492170	FOOTREST 14 AA, 90°"ALU2003", LONG, LEFT	1
27	1492263	FOOTREST 14 AA, 90°"ALU2003", LONG, RIGHT	1
28	1492264	FOOTREST 17 AA, 90°"ALU2003", LONG, LEFT	1
28	1492265	FOOTREST 17 AA, 90°"ALU2003", LONG, RIGHT	1
29	5106372	FOOTPLATE 12 AA, CPL.	1
31	5106594	FOOTPLATE 17 AA, CPL.	1

Central footrest



Pos.	Part number	Description	Qty
1	1424640	CENTER LEGREST CPL. (ASSIST/BELLIS)	1
2	1484821	CENTER LEGREST CPL. (AZALEA)	1
3	1493102	ATTACHMENT CPL., CENTRAL LEGREST	1
4	1493118	ATTACHMENT CPL., CENTRAL LEGREST, AZALEA	1
5	1493101	POLE CPL, CENTRAL LEGREST	1
6	1424545	CALFPAD CUSION, CENTER LEGREST	1
7	1484006	FOOTPLATE CPL, RIGHT, CENTER FOOTREST	1
8	1484007	FOOTPLATE CPL, LEFT, CENTER FOOTREST	1

Footrest one piece 90°



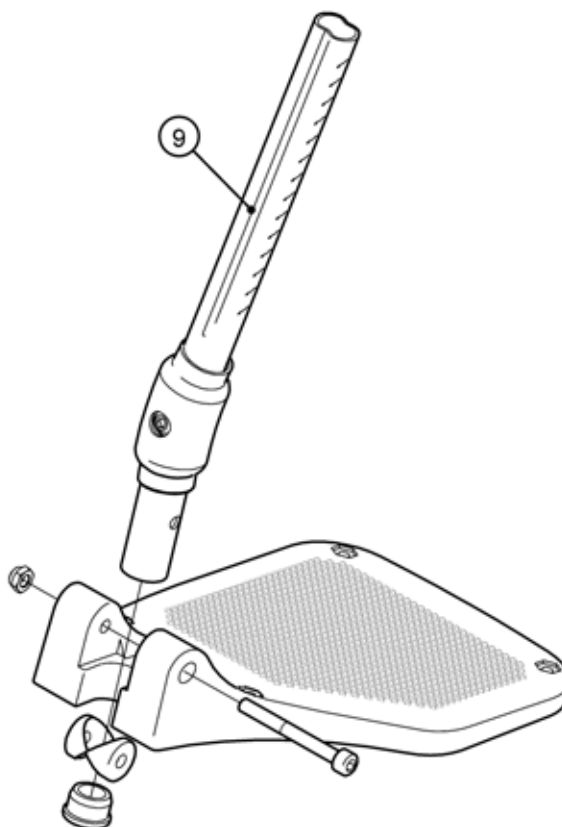
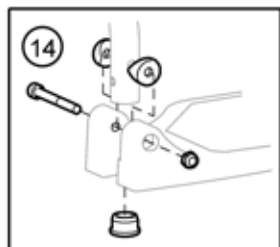
SH (cm)	SW (cm)					
	38	40,5	43	45,5	48	50,5
SpinX						
41 - 48	1	2	3	4	5	6
50,5 - 53	11	12	13	14	15	16
Focus						
36,5 - 46,5	1	1	3	3	5	5
49 - 54	11	11	13	13	15	15
Focus 150	53	58				
44 - 49	7	7				
49 - 54	17	17				
Azalea Assist	39	44	49	54	59	
small	4	6	7			
medium		6	8	9		
large			8	10	10	
Azalea	39		49		59	
40 - 45	5		7		9	

SPS1493269

Pos.	Part number	Description	Qty
1	1491247	FOOTREST ONE PIECE, 38 DEPTH AND ANGLEADJ,SHORT	1
2	1491248	FOOTREST ONE PIECE, 40.5 DEPTH AND ANGLEADJ,SHORT	1
3	1493267	FOOTREST ONE PIECE, 43 DEPTH AND ANGLEADJ,SHORT	1
4	1493268	FOOTREST ONE PIECE, 45.5 DEPTH AND ANGLEADJ,SHORT	1
5	1493269	FOOTREST ONE PIECE, 48 DEPTH AND ANGLEADJ,SHORT	1
6	1493270	FOOTREST ONE PIECE, 50.5 DEPTH AND ANGLEADJ,SHORT	1
7	1495821	FOOTREST OP, 53, CPL DEPTH AND ANGLEADJ,SHORT	1
8	1495822	FOOTREST OP, 55.5, CPL DEPTH AND ANGLEADJ,SHORT	1
9	1495823	FOOTREST OP, 58, CPL DEPTH AND ANGLEADJ,SHORT	1
10	1495824	FOOTREST OP, 60.5, CPL DEPTH AND ANGLEADJ,SHORT	1
11	1493349	FOOTREST ONE PIECE, 38 DEPTH AND ANGLEADJ, LONG	1
12	1493350	FOOTREST ONE PIECE, 40.5 DEPTH AND ANGLEADJ, LONG	1
13	1493351	FOOTREST ONE PIECE, 43 DEPTH AND ANGLEADJ, LONG	1
14	1493358	FOOTREST ONE PIECE, 45.5 DEPTH AND ANGLEADJ, LONG	1
15	1493359	FOOTREST ONE PIECE, 48 DEPTH AND ANGLEADJ, LONG	1
16	1493377	FOOTREST ONE PIECE, 50.5 DEPTH AND ANGLEADJ, LONG	1
17	1495825	FOOTREST OP, 53, CPL DEPTH AND ANGLEADJ, LONG	1

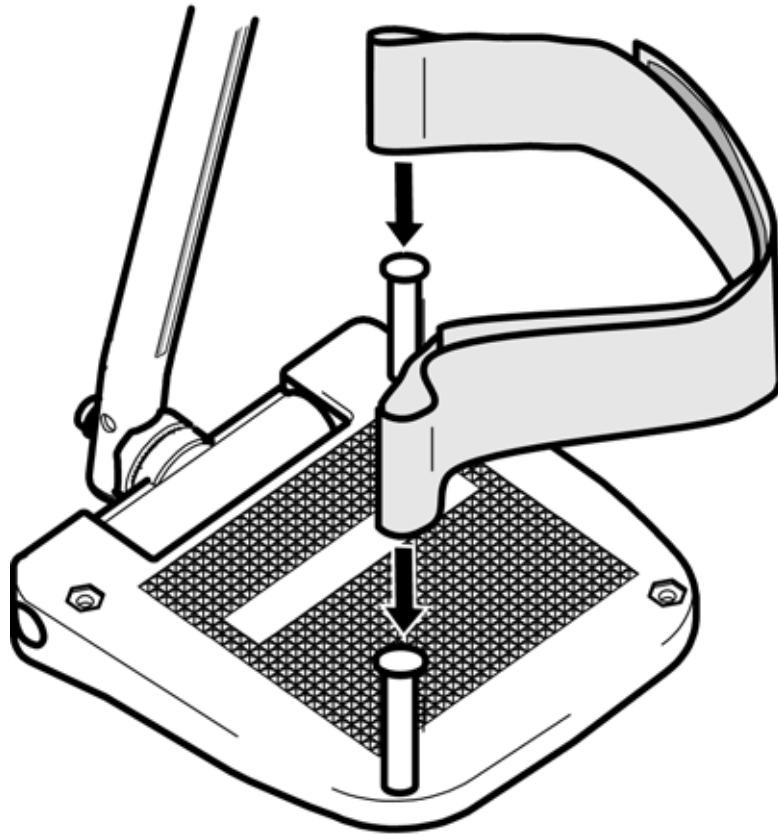
Footrest AA, Poirier

ReaAzalea			
39	2	6	11
44	3	7	12
49	4	8	13
54	4	8	13
59	4	8	13
Spiř			
38 - 40,5	1	5	10
43 - 45,5	2	6	11
48 - 50,5	3	7	12



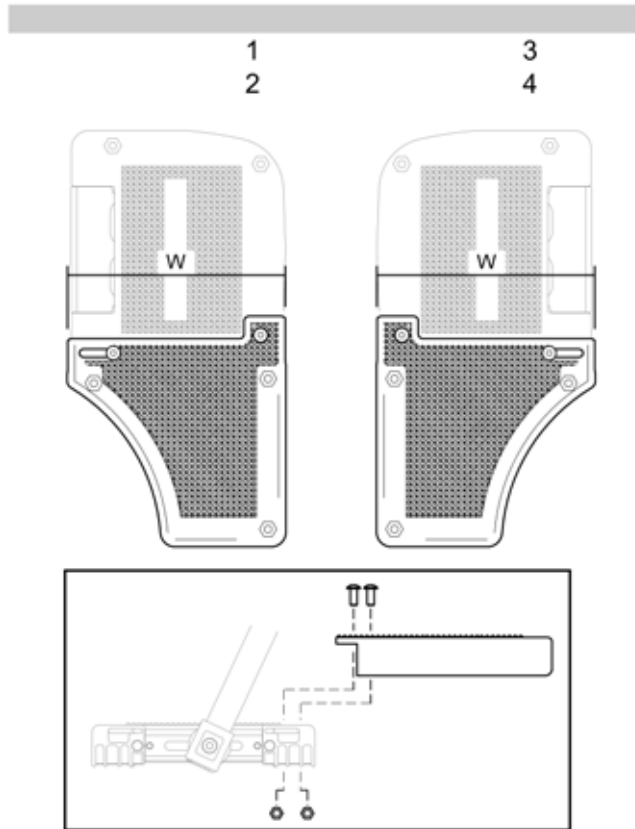
Pos.	Part number	Description	Qty
1	1492320	FOOTREST 19 AA "POIRIER", SHORT, LEFT	1
1	1492321	FOOTREST 19 AA "POIRIER", SHORT, RIGHT	1
2	1484442	FOOTREST 21 AA "POIRIER", SHORT, RIGHT	1
2	1492322	FOOTREST 21 AA "POIRIER", SHORT, LEFT	1
3	1484443	FOOTREST 24 AA "POIRIER", SHORT, LEFT	1
3	1484444	FOOTREST 24 AA "POIRIER", SHORT, RIGHT	1
4	1484445	FOOTREST 26 AA "POIRIER", SHORT, LEFT	1
4	1484446	FOOTREST 26 AA "POIRIER", SHORT, RIGHT	1
5	1484449	FOOTREST 19 AA "POIRIER", LONG, LEFT	1
5	1484450	FOOTREST 19 AA "POIRIER", LONG, RIGHT	1
6	1484451	FOOTREST 21 AA "POIRIER", LONG, LEFT	1
6	1484452	FOOTREST 21 AA "POIRIER", LONG, RIGHT	1
7	1484453	FOOTREST 24 AA "POIRIER", LONG, LEFT	1
7	1484454	FOOTREST 24 AA "POIRIER", LONG, RIGHT	1
8	1484455	FOOTREST 26 AA "POIRIER", LONG, LEFT	1
8	1484456	FOOTREST 26 AA "POIRIER", LONG, RIGHT	1
9	1485167	FOOTREST TUBE AA, SHORT	1
9	1485168	FOOTREST TUBE AA, LONG	1
10	1428340	FOOTPLATE 19, LEFT	1
10	1428341	FOOTPLATE 19, RIGHT	1
11	1424574	FOOTPLATE 21, LEFT	1
11	1424575	FOOTPLATE 21, RIGHT	1
12	1428346	FOOTPLATE 24, LEFT	1
12	1428347	FOOTPLATE 24, RIGHT	1
13	1428374	FOOTPLATE 26, LEFT	1
13	1428375	FOOTPLATE 26, RIGHT	1
14	1430433	SCREW KIT, FOOTREST FIXED	1

Heel strap



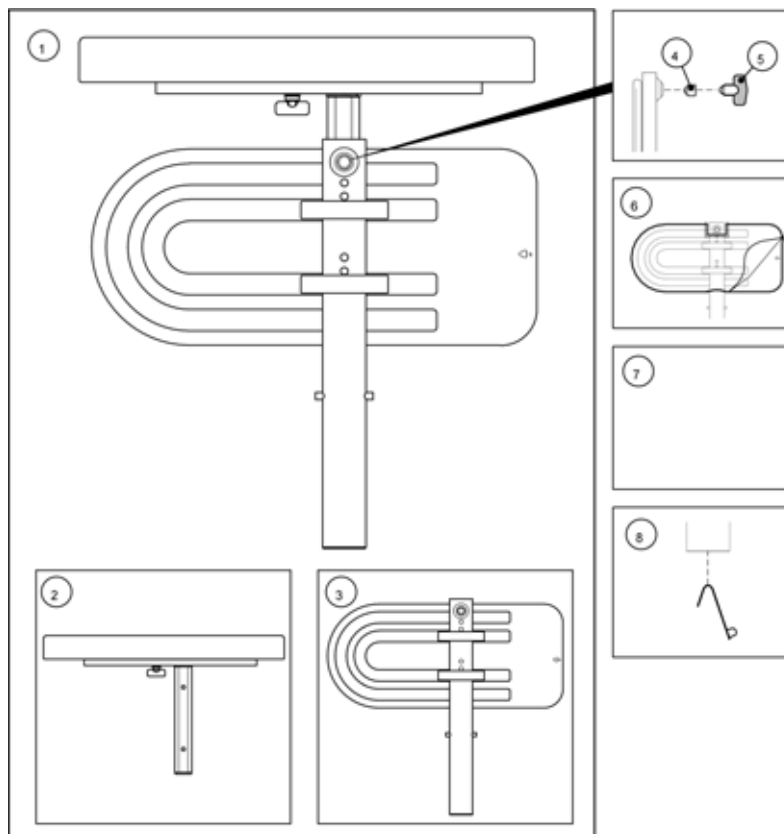
Pos.	Part number	Description	Qty
	5321579	HEEL LOOP, PAIR	1

Extender, footplate



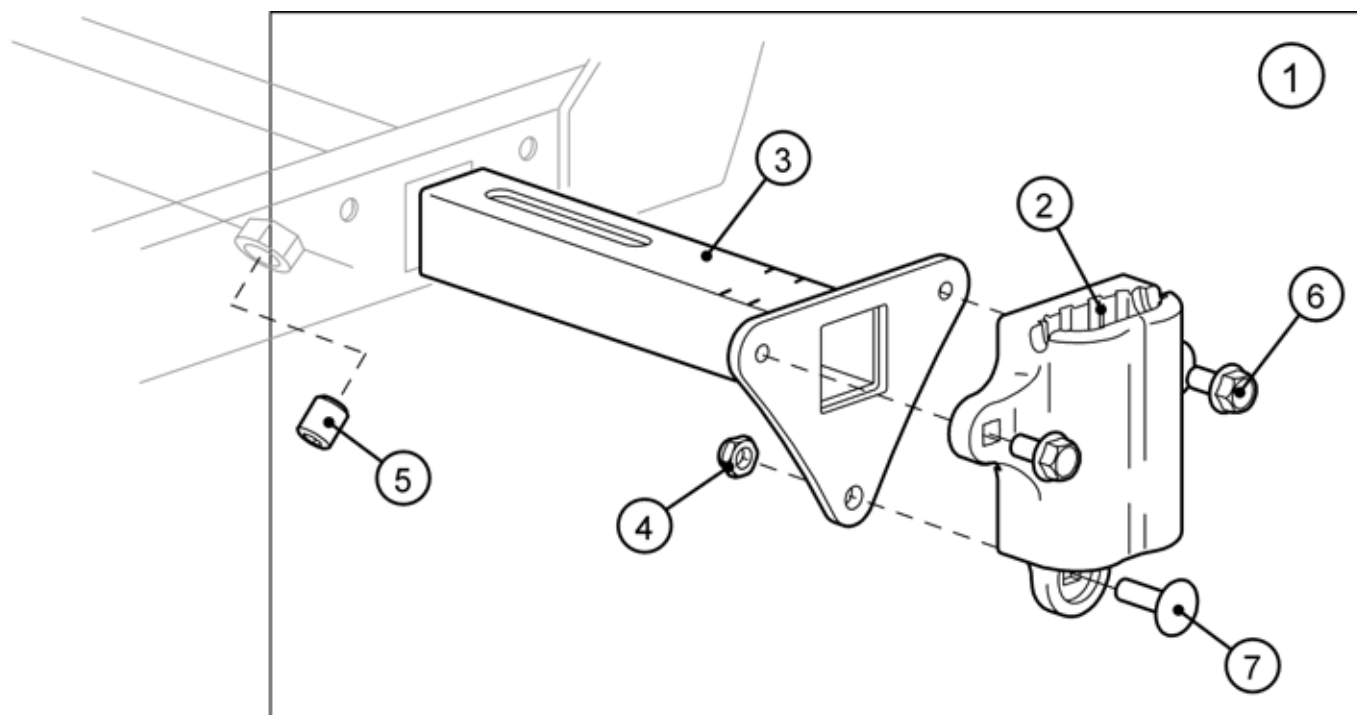
Pos.	Part number	Description	Qty
1	5255297	FOTPLATE EXTENDER SMALL, LEFT, CPL	1
2	5255296	FOTPLATE EXTENDER SMALL, RIGHT, CPL	1
3	5255299	FOTPL EXT W=160 LE, CPL	1
4	5255298	FOTPL EXT W=160 RI, CPL	1

Armrest, wide pad



Pos.	Part number	Description	Qty
1	1427167	ARMREST LE ASSIST, CPL	1
1	1427168	ARMREST RI ASSIST, CPL	1
2	1427169	ARMREST U-PART CPL,LE,AS	1
2	1427170	ARMREST U-PART CPL,RI,AS	1
3	1415520	SIDE GUARD RIGHT CPL	1
3	1415521	SIDE GUARD LEFT CPL	1
4	5106533	LOCKING SCREW M12X10	1
5	5221122	HANDWHEEL M12, SPRING	1
6	1415453	SIDE SUPPORTBAG BLACK,DA	1
7	1446031	CUSHION, SIDE GUARD, PAIR	1
8	5721060	SPRING, CRUTCH HOLDER	1

Armrest attachment

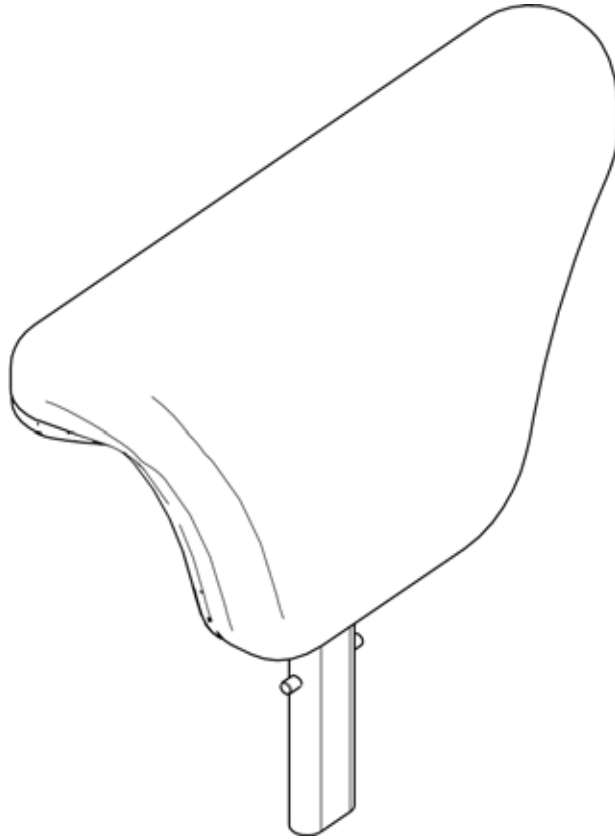


Pos.	Part number	Description	Qty
1	1451864	ARMREST ATTACHMENT ADJ., AZALEA	1
2	5106289	ATTACHMENT, ARMREST	1
3	1449836	ARM, ARMREST ATTACHMENT ADJ., AZALEA	1
4	5726051	NUT LOC-KING M6	1
5	5724235	SCREW SK6SS M10X12	1
6	1446176	SCREW M6SF-TT M6X12 SVRT	1
7	1415465	SCREW MVBF M6X20	1

Armrest

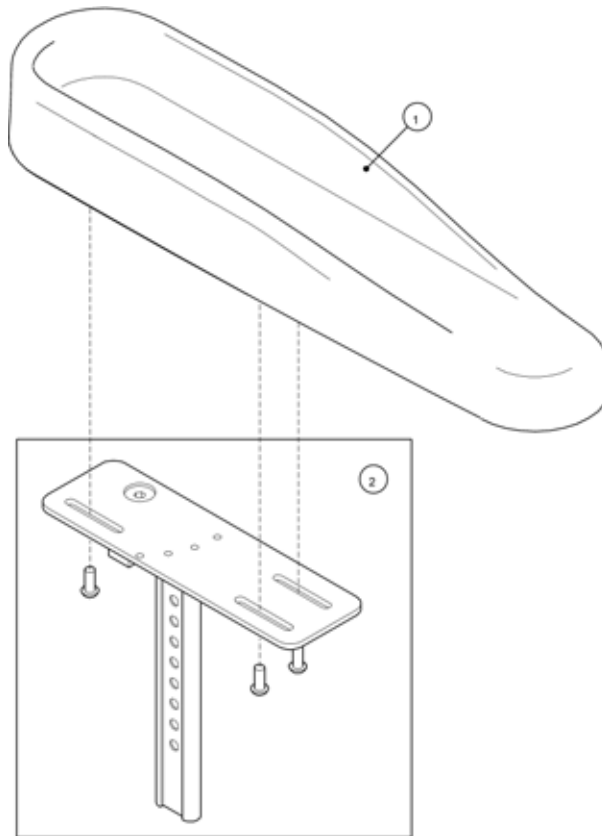
Pos.	Part number	Description	Qty
	1484836	ARMREST, HEIGHT ADJ., RIGHT, KPL., DARTEX BLACK	1
	1484837	ARMREST, HEIGHT ADJ., LEFT, KPL., DARTEX BLACK	1
1	1451562	ARMREST, UPPERPART, CPL., RIGHT, AZALEA	1
1	1451563	ARMREST, UPPERPART, CPL., LEFT, AZALEA	1
2	1415520	SIDE GUARD RIGHT CPL	1
2	1415521	SIDE GUARD LEFT CPL	1
4	5221122	HANDWHEEL M12, SPRING	1
5	1484826	KIT, WIDTH EXTENSION, ARMREST, PAIR	1
6	1415453	SIDE SUPPORTBAG BLACK,DA	1
7	1446031	CUSHION, SIDE GUARD, PAIR	1
8	5721060	SPRING, CRUTCH HOLDER	1

Armrest, padded



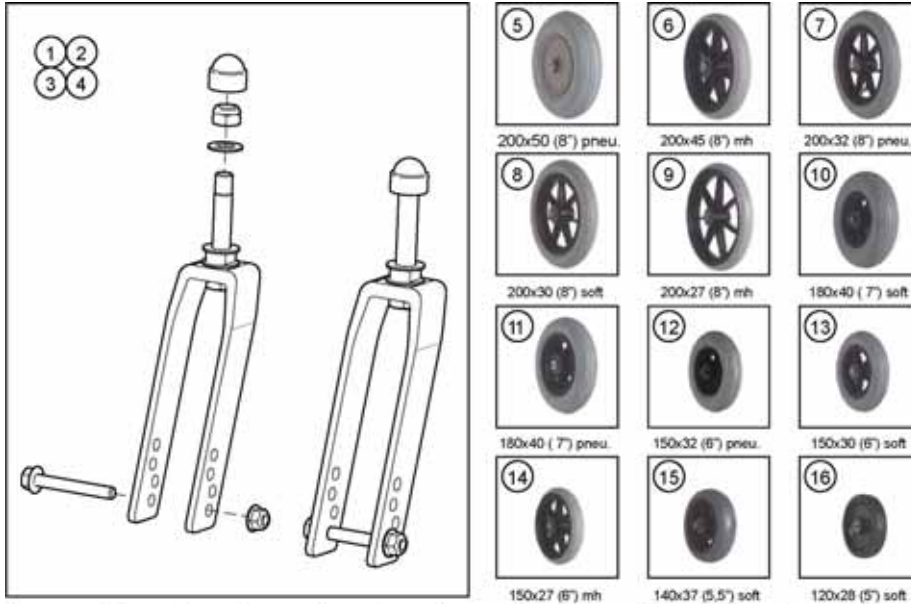
Pos.	Part number	Description	Qty
	1492547	ARMREST, PADDED	1

Armrest, hemiplegic



Pos.	Part number	Description	Qty
	1493219	ARMREST HEMI RI, AZALEA	1
	1493220	ARMREST HEMI LE, AZALEA	1
1	1493251	ARMPAD, HEMI ARMREST, AZALEA	1
2	1493243	POLE CPL, ARMREST HEMI RI, AZALEA	1
2	1493244	POLE CPL, ARMREST HEMI LE, AZALEA	1

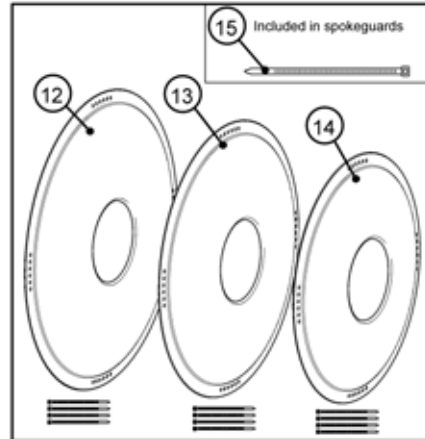
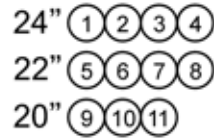
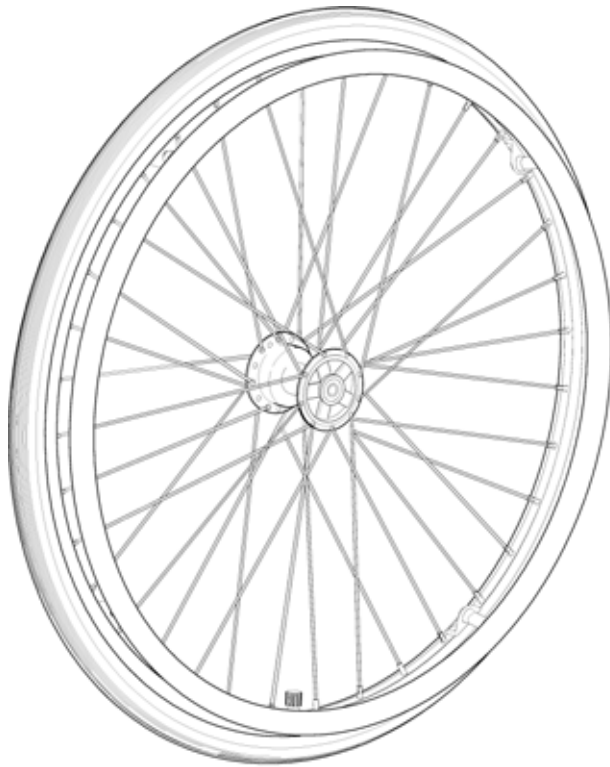
Castor wheels



	200x50 (8'') pneu.	200x45 (8'') mh	200x32 (8'') pneu.	200x30 (8'') soft	200x27 (8'') mh	180x40 (7'') soft	180x40 (7'') pneu.	150x32 (6'') pneu.	150x30 (6'') soft	150x27 (6'') mh	140x37 (5,5'') soft	120x28 (5'') soft
	5	6	7	8	9	10	11	12	13	14	15	16
1 110 x40			X	X	X			X	X	X		X
2 110 x60	X	X				X	X				X	
3 150 x40			X	X	X			X	X	X		X
4 150 x60	X	X				X	X				X	

Pos.	Part number	Description	Qty
1	1493442	FORK 150/40, FIXED, CPL, PAIR	1
2	1493443	FORK 110/60, FIXED, CPL, PAIR	1
3	1493440	FORK 150/40, FIXED, CPL, PAIR	1
4	1493441	FORK 150/60, FIXED, CPL, PAIR	1
5	5322159	CASTOR 200x50 (8'') PNEUMATIC	1
6	1418196	CASTOR 200x50 (8'') MEDIUM HARD	1
7	5322005	CASTOR 200x32 (8'') PNEUMATIC	1
8	5750800	CASTOR 200x30 (8'') SOFT	1
9	5322004	CASTOR 200x27 (8'') MEDIUM HARD	1
10	5750781	CASTOR 180x40 (7'') SOFT	1
11	5750782	CASTOR 180x40 (7'') PNEUMATIC	1
12	5322006	CASTOR 150x32 (6'') PNEUMATIC	1
13	5750806	CASTOR 150x30 (6'') SOFT (S)	1
14	5322152	CASTOR 150x27 (6'') MEDIUM HARD (MH)	1
15	5750734	CASTOR 140x37 (5.5'') SOFT	1
16	5322008	CASTOR 120x28 (5'') SOFT	1

Wheel 24-22-20" DB

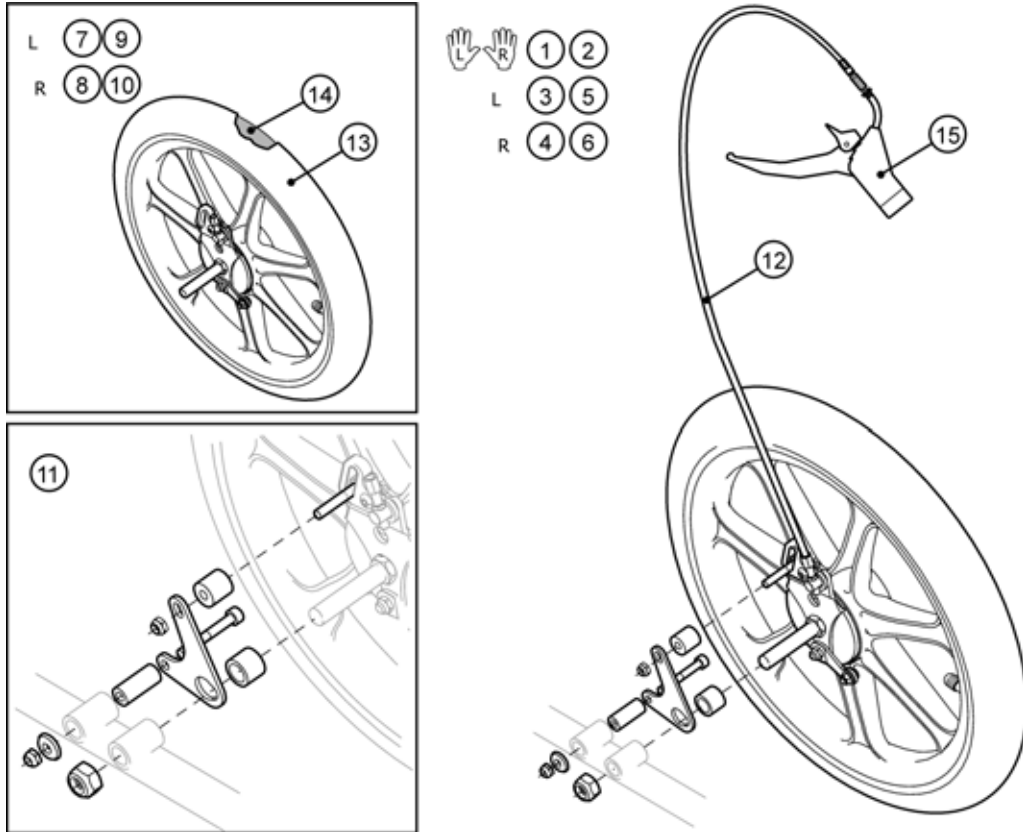


Pos.	Part number	Description	Qty
1	1434807	24 INCH DB PNE H / 21 INCH BG	1
1	5207400	24 INCH DB PNE H/21 INCH ALUM	1
1	5207403	24 INCH DB PNE H/21 INCH STAINLESS	1
1	5207406	24 INCH DB PNE H/21 INCH PLASTIC	1
1	5207409	24 INCH DB PNE H/21 INCH FOAM COAT	1
1	5750760	WHEEL 24" DRUMBRAKE, PNEUMATIC , NON-MARKING + HANDRIM 21"OVAL, PLAST	1
2	1434808	24 INCH DB PNE T / 21 INCH BG	1
2	5207401	24 INCH DB PNE T/21 INCH ALUM	1
2	5207404	24 INCH DB PNE T/21 INCH STAINLESS	1
2	5207407	24 INCH DB PNE T/21 INCH PLASTIC	1
2	5207410	24 INCH DB PNE T/21 INCH FOAM COAT	1
2	5750759	WHEEL 24" DRUMBRAKE, PNEUMATIC, PROFILED + HANDRIM 21"OVAL, PLAST	1
3	1434809	24 INCH DB PP T / 21 INCH BG	1
3	5207402	24 INCH DB PP T/21 INCH ALUM	1
3	5207405	24 INCH DB PP T/21 INCH STAINLESS	1
3	5207408	24 INCH DB PP T/21 INCH PLASTIC	1
3	5207411	24 INCH DB PP T/21 INCH FOAM COAT	1
3	5750761	WHEEL 24" DRUMBRAKE, PUNCTURE PROOF + HANDRIM 21"OVAL, PLAST	1
4	1434802	24 INCH DB SOLID /21 INCH ALUM	1
4	1434803	24 INCH DB SOLID/21 INCH PLASTIC	1
4	1434804	WHEEL 24" DRUMBRAKE, SOLID + 21" PLASTIC OVALE	1
4	1434805	24 INCH DB SOLID/21 INCH FOAMCOAT	1
4	1434806	24 INCH DB SOLID / 21 INCH BG	1
4	1434810	24 INCH DB SOLID/21 INCH STAINLES	1
5	1422571	22 INCH DB PNE H/19 INCH PLAST	1
5	1422572	WHEEL 22" DRUMBRAKE, PNEUMATIC, PROFILED + HANDRIM 19"OVAL, PLAST	1
5	5750718	22 INCH DB PNE F/19 INCH ALUMINIUM	1
6	1422574	22 INCH DB PNE T/19 INCH PLAST	1
6	1422575	WHEEL 22" DRUMBRAKE, PNEUMATIC , NON-MARKING + HANDRIM 19"OVAL, PLAST	1
6	5207434	22 INCH DB PNE T/19 INCH ALUM	1
7	1422577	22 INCH DB PP T/19 INCH PLAST	1
7	1422578	WHEEL 22" DRUMBRAKE, PUNCTURE PROOF + HANDRIM 19"OVAL, PLAST	1

Wheel 24-22-20" DB

Pos.	Part number	Description	Qty
7	5207435	22 INCH DB PP T/19 INCH ALUM	1
8	1434797	22 INCH DB SOLID / 19 INCH ALU	1
8	1434798	22 INCH DB SOLID/19 INCH PLASTIC	1
8	1434799	WHEEL 22" DRUMBRAKE, SOLID + 19" PLASTIC OVALE	1
9	1488846	20 INCH DB PNE H/18 INCH ALU	1
9	1488847	20 INCH DB PNE H/18 INCH PL.COATED	1
10	1488848	20 INCH DB PNE T/18 INCH ALU	1
10	1488849	20 INCH DB PNE T/18 INCH PL.COATED	1
11	1488906	20 INCH DB QR PNE H/ NO CLIPS	1
11	1488907	20 INCH DB PNE T/NO CLIPS	1
12	5102807	SPOKE PROTEC CPL 24 INCH FRO	1
13	5102800	SPOKE PROTEC. CPL 22 INCH FRO	1
14	5102795	SPOKE PROTEC.CPL 20 FRO	1
15	5707472	STRIPS BLACK SHORT	1

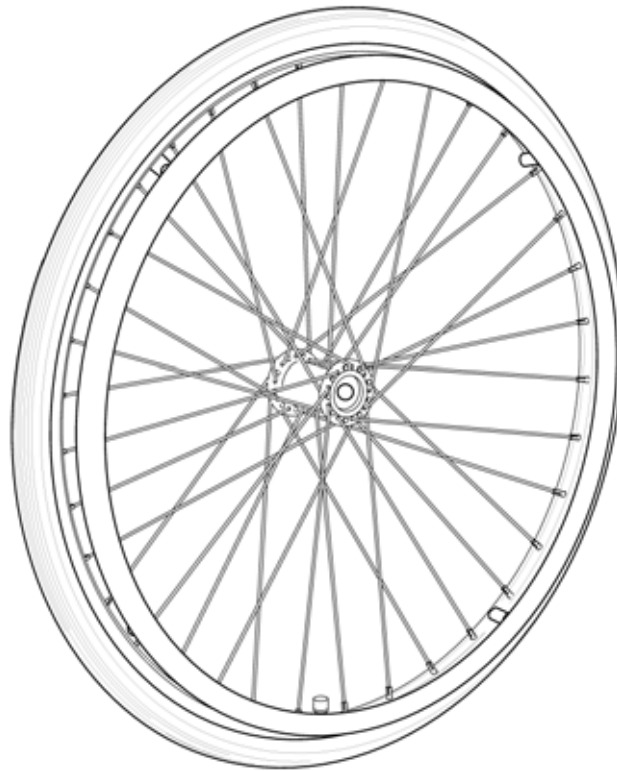
Wheels 16"



Pos.	Part number	Description	Qty
1	1492380	WHEEL 16" DRUMBRAKE PNEU., PAIR, AZALEA	1
2	1492381	WHEEL 16" DRUMBRAKE SOLID, PAIR, AZALEA	1
3	1484001	WHEEL 16" DRUMBRAKE PNEU. + CABLE ASSAY, CPL, LE, AZALEA	1
4	1484000	WHEEL 16" DRUMBRAKE PNEU. + CABLE ASSAY, CPL, RI, AZALEA	1
5	1484003	WHEEL 16" DRUMBRAKE SOLID + CABLE ASSAY, CPL, LE, AZALEA	1
6	1484002	WHEEL 16" DRUMBRAKE SOLID + CABLE ASSAY, CPL, RI, AZALEA	1
7	1434825	WHEEL 16" PNEU., DRUMBRAKE, LEFT. MBL	1
8	1434826	WHEEL 16" PNEU., DRUMBRAKE, RIGHT. MBL	1
9	1434827	WHEEL 16" SOLID, DRUMBRAKE, LEFT. MBL	1
10	1434828	WHEEL 16" SOLID, DRUMBRAKE, RIGHT. MBL	1
11	1492298	ATTACHMENT, DRUMBRAKE, 16" WHEEL, AZALEA	1
12	5735266	WIRE 870, CPL	1
13	1440029	TYRE 16"X1, 75 PNEU MBL	1
14	5750778	TUBE 16" X 1.75	1
15	5735256	BRAKE HANDLE SACCON	1

Wheels 24" Basic

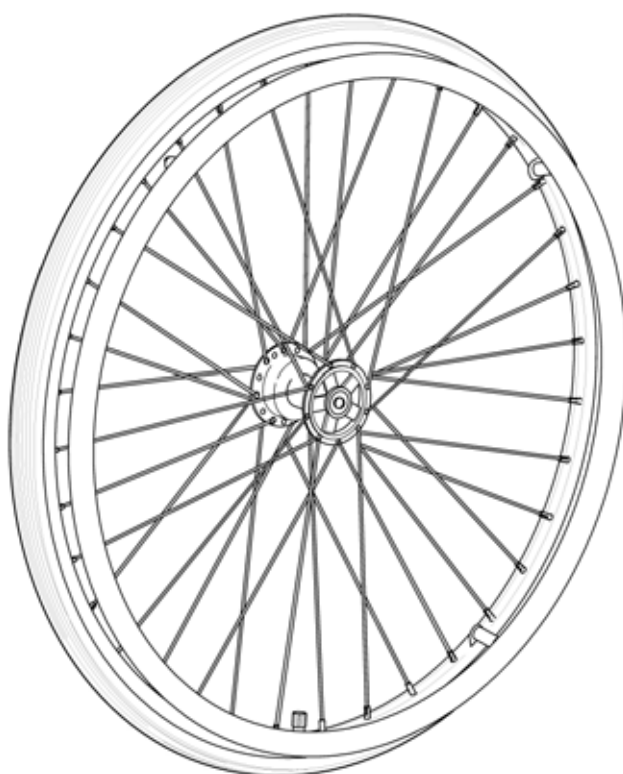
24"



Pos.	Part number	Description	Qty
	1492642	WHEEL 24" BASIC PNEUMATIC, PROFILED + HANDRIM 21", ALUMINIUM	1
	1492643	WHEEL 24" BASIC, SOLID + HANDRIM 21", ALUMINIUM	1

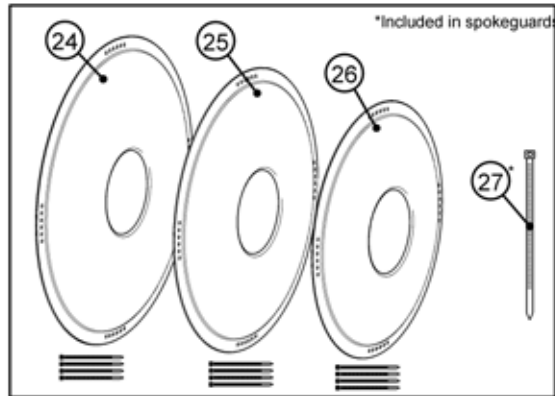
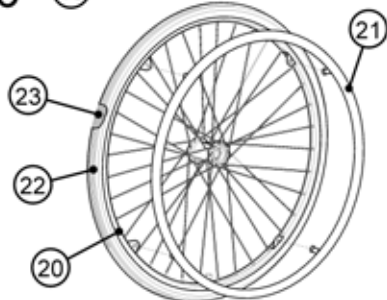
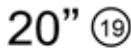
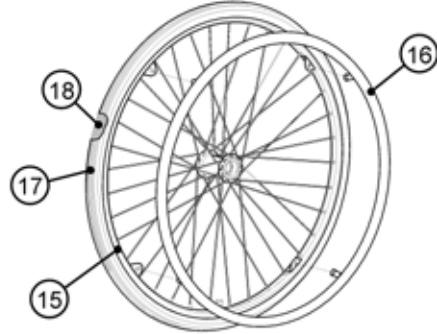
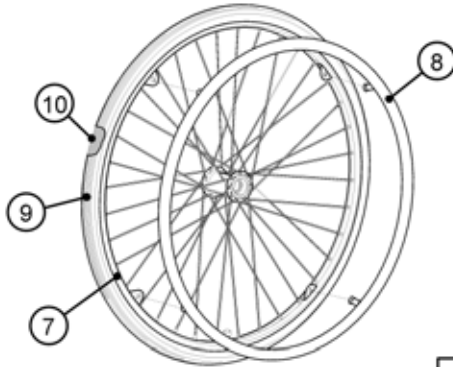
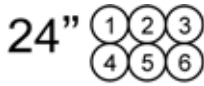
Wheels 24" Basic DB

24" DB



Pos.	Part number	Description	Qty
	1492644	WHEEL 24" BASIC DB, PNEUMATIC, PROFILED + HANDRIM 21", ALU.	1
	1492645	WHEEL 24" BASIC DB, SOLID + 21" ALU.	1

Wheel 24-22-20"



Pos.	Part number	Description	Qty
1	5750833	WHEEL 24" PNEUMATIC, NON-MARKING + HANDRIM 21", ALUMINIUM	1
1	5750834	WHEEL 24" PNEUMATIC, NON-MARKING + HANDRIM 21", PLASTIC	1
1	5750835	WHEEL 24" PNEUMATIC, NON-MARKING + HANDRIM 21" OVAL, PLASTIC	1
1	5750836	WHEEL 24" PNEUMATIC, NON-MARKING + HANDRIM 21", FOAM	1
1	5750837	WHEEL 24" PNEUMATIC, NON-MARKING + HANDRIM 21", BLACKGRIP	1
1	5750838	WHEEL 24" PNEUMATIC, NON-MARKING + HANDRIM 21", TITAN	1
1	5750839	WHEEL 24" PNEUMATIC, NON-MARKING + HANDRIM 21", STAINLESS	1
2	5320634	20 INCH QR PNE H/ NO CLIPS	1
2	5321984	WHEEL 20" PNEUMATIC, NON-MARKING, 4 CLIPS	1
2	5750842	WHEEL 24" PNEUMATIC, PROFILED + HANDRIM 21", ALUMINIUM	1
2	5750843	WHEEL 24" PNEUMATIC, PROFILED + HANDRIM 21", PLASTIC	1
2	5750844	WHEEL 24" PNEUMATIC, PROFILED + HANDRIM 21" OVAL, PLASTIC	1
2	5750845	WHEEL 24" PNEUMATIC, PROFILED + HANDRIM 21", FOAM	1
2	5750846	WHEEL 24" PNEUMATIC, PROFILED + HANDRIM 21", BLACKGRIP	1
2	5750847	WHEEL 24" PNEUMATIC, PROFILED + HANDRIM 21", TITAN	1
2	5750848	WHEEL 24" PNEUMATIC, PROFILED + HANDRIM 21", STAINLESS	1
3	5750870	WHEEL 24" PUNCTURE PROOF, PROFILED + HANDRIM 21", ALUMINIUM	1
3	5750871	WHEEL 24" PUNCTURE PROOF, PROFILED + HANDRIM 21", PLASTIC	1
3	5750872	WHEEL 24" PUNCTURE PROOF, PROFILED + HANDRIM 21" OVAL, PLASTIC	1
3	5750873	WHEEL 24" PUNCTURE PROOF, PROFILED + HANDRIM 21", FOAM	1
3	5750874	WHEEL 24" PUNCTURE PROOF, PROFILED + HANDRIM 21", BLACKGRIP	1
3	5750875	WHEEL 24" PUNCTURE PROOF, PROFILED + HANDRIM 21", TITAN	1
3	5750876	WHEEL 24" PUNCTURE PROOF, PROFILED + HANDRIM 21", STAINLESS	1
4	5750861	WHEEL 24" LOW PROFILE + HANDRIM 21", ALUMINIUM	1
4	5750862	WHEEL 24" LOW PROFILE + HANDRIM 21", PLASTIC	1
4	5750863	WHEEL 24" LOW PROFILE + HANDRIM 21" OVAL, PLASTIC	1
4	5750864	WHEEL 24" LOW PROFILE + HANDRIM 21", FOAM	1
4	5750865	WHEEL 24" LOW PROFILE + HANDRIM 21", BLACKGRIP	1
4	5750866	WHEEL 24" LOW PROFILE + HANDRIM 21", TITAN	1
4	5750867	WHEEL 24" LOW PROFILE + HANDRIM 21", STAINLESS	1
5	5750851	WHEEL 24" SOLID + HANDRIM 21", ALUMINIUM	1
5	5750852	WHEEL 24" SOLID + HANDRIM 21", PLASTIC	1
5	5750853	WHEEL 24" SOLID + HANDRIM 21" OVAL, PLASTIC	1

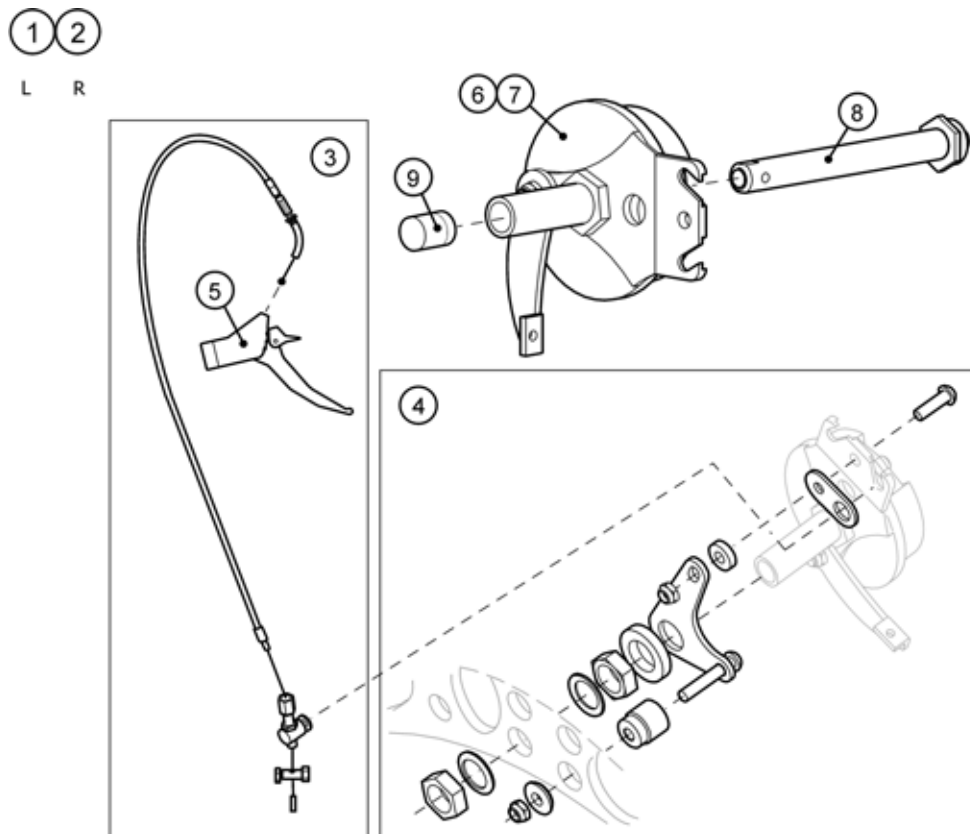
Wheel 24-22-20"

Pos.	Part number	Description	Qty
5	5750854	WHEEL 24" SOLID + HANDRIM 21", FOAM	1
5	5750855	WHEEL 24" SOLID + HANDRIM 21", BLACKGRIP	1
5	5750856	WHEEL 24" SOLID + HANDRIM 21", TITAN	1
5	5750857	WHEEL 24" SOLID + HANDRIM 21", STAINLESS	1
6	5750879	WHEEL 24" TUBE + HANDRIM 21", ALUMINIUM	1
6	5750880	WHEEL 24" TUBE + HANDRIM 21", PLASTIC	1
6	5750881	WHEEL 24" TUBE + HANDRIM 21" OVAL, PLASTIC	1
6	5750882	WHEEL 24" TUBE + HANDRIM 21", FOAM	1
6	5750883	WHEEL 24" TUBE + HANDRIM 21", BLACKGRIP	1
6	5750884	WHEEL 24" TUBE + HANDRIM 21", TITAN	1
6	5750885	WHEEL 24" TUBE + HANDRIM 21", STAINLESS	1
7	1434796	WHEEL 24" TUBE, WITHOUT CLIPS	1
7	5207613	WHEEL 24" PUNCTURE PROOF, PROFILED, 4 CLIPS	1
7	5320568	WHEEL 24" PNEUMATIC, NON-MARKING, 4 CLIPS	1
7	5750899	WHEEL 24" LOW PROFILE, NON-MARKING, WITHOUT CLIPS	1
7	5750900	WHEEL 24" LOW PROFILE, NO CLIPS	1
7	5750902	WHEEL 24" PUNCTURE PROOF, PROFILED, WITHOUT CLIPS	1
7	5750904	WHEEL 24" PNEUMATIC, NON-MARKING, WITHOUT CLIPS	1
7	5750905	WHEEL 24" PNEUMATIC, PROFILED, WITHOUT CLIPS	1
7	5750906	WHEEL 24" PNEUMATIC, PROFILED, 4 CLIPS	1
8	5320581	HANDRIM 21", ALUMINIUM	1
8	5320583	HANDRIM 21", STAINLESS	1
8	5750058	HANDRIM 21", FOAM	1
8	5750064	HANDRIM 21" BLACK GRIP, SPOKE MOUNTED	1
8	5750762	HANDRIM 21" OVAL, PLASTIC	1
8	5750768	HANDRIM 21", PLASTIC	1
9	5750014	TYRE 24"X1 3/8", NON-MARKING	1
9	5750015	TYRE 24X1 1/4", SOLID	1
9	5750019	TYRE 24"X1 3/8", PROFILED	1
9	5750043	TYRE 24"X1.1/8", TUBE	1
9	5750160	TYRE 24"X1 (25-540), NON-MARKING	1
10	5207046	TUBE 24" X 1 3/8, FLE X	1
10	5750036	TUBE 24" X 1 3/8	1
10	5750161	TUBE 24" X 1 (25-540)	1
11	5750817	WHEEL 22" PNEUMATIC, NON-MARKING + HANDRIM 19", ALU.	1
11	5750818	WHEEL 22" PNEUMATIC, NON-MARKING + HANDRIM 19", PLASTIC	1
11	5750819	WHEEL 22" PNEUMATIC, NON-MARKING + HANDRIM 19" OVAL, PLASTIC	1
12	5750821	WHEEL 22" PNEUMATIC, PROFILED + HANDRIM 19", ALU.	1
12	5750822	WHEEL 22" PNEUMATIC, PROFILED + HANDRIM 19", PLASTIC	1
12	5750823	WHEEL 22" PNEUMATIC, PROFILED + HANDRIM 19" OVAL, PLASTIC	1
13	5750825	WHEEL 22" SOLID + HANDRIM 19", ALU.	1
13	5750826	WHEEL 22" SOLID + HANDRIM 19", PLASTIC	1
13	5750827	WHEEL 22" SOLID + HANDRIM 19" OVAL, PLASTIC	1
14	5750829	WHEEL 22", PUNCTURE PROOF + HANDRIM 19", ALU.	1
14	5750830	WHEEL 22" PUNCTURE PROOF + HANDRIM 19", PLASTIC	1
14	5750831	WHEEL 22" PUNCTURE PROOF + HANDRIM 19" OVAL, PLASTIC	1
15	5320635	22 INCH QR PNE T/ NO CLIPS	1
15	5321985	WHEEL 22" PNEUMATIC, PROFILED, 4CLIPS	1
15	5750708	22 INCH QR PNE H/0 CLIPS	1
15	5750709	WHEEL 22" PNEUMATIC, NON-MARKING, 4 CLIPS	1
16	5207037	HANDRIM 19", ALUMINIUM	1
16	5750763	HANDRIM 19" OVAL, PLASTIC	1
17	5750018	TYRE 22"X1 3/8", PROFILED	1
17	5750172	TYRE 22", SOLID	1
17	5750707	TYRE 22", NON-MARKING	1
18	5750035	TUBE 22" X 1 3/8	1
18	5750732	TUBE 22	1
19	5750813	20 INCH PNE H/18 INCH ALU	1

Wheel 24-22-20"

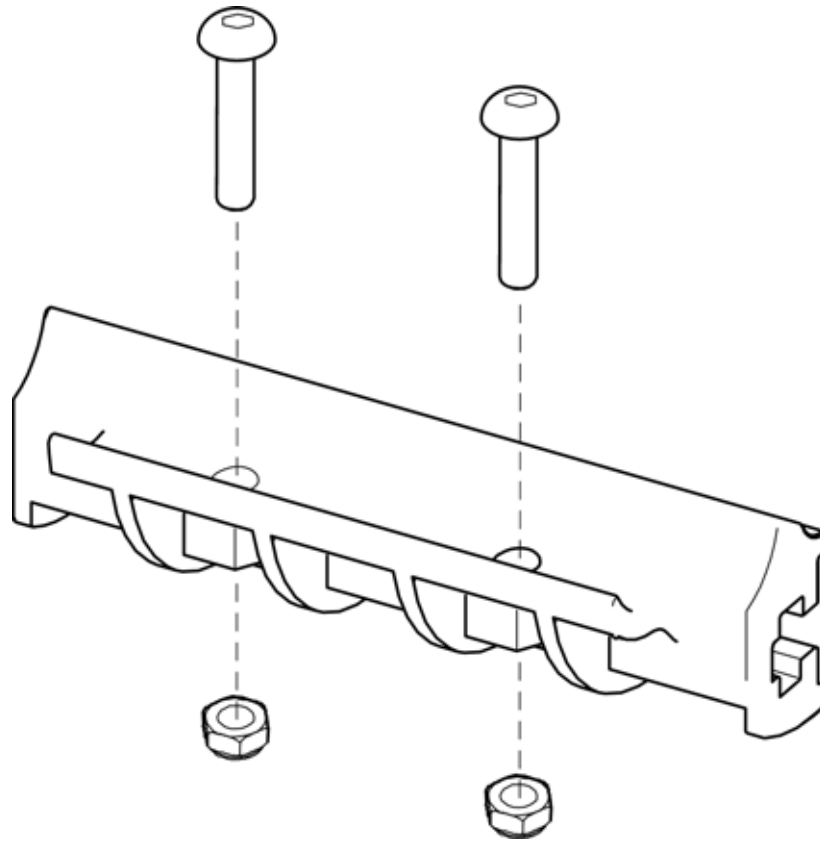
Pos.	Part number	Description	Qty
19	5750814	20 INCH PNE H/18 INCH PL.COATED	1
19	5750815	20 INCH PNE T/18 INCH ALU	1
19	5750816	WHEEL 20" PNEUMATIC, PROFILED + HANDRIM 18", PLASTIC	1
20	5320634	20 INCH QR PNE H/ NO CLIPS	1
20	5321984	WHEEL 20" PNEUMATIC, NON-MARKING, 4 CLIPS	1
21	5207075	HANDRIM 18" OVAL, ALUMINIUM	1
22	5750012	TYRE 20"X1 3/8", NON-MARKING	1
22	5750034	TUBE 20" X 1 3/8	1
24	5102807	SPOKE PROTEC CPL 24 INCH FRO	1
25	5102800	SPOKE PROTEC. CPL 22 INCH FRO	1
26	5102795	SPOKE PROTEC.CPL 20 FRO	1
27	5707472	STRIPS BLACK SHORT	1

Drumbrake, assistent manoevered



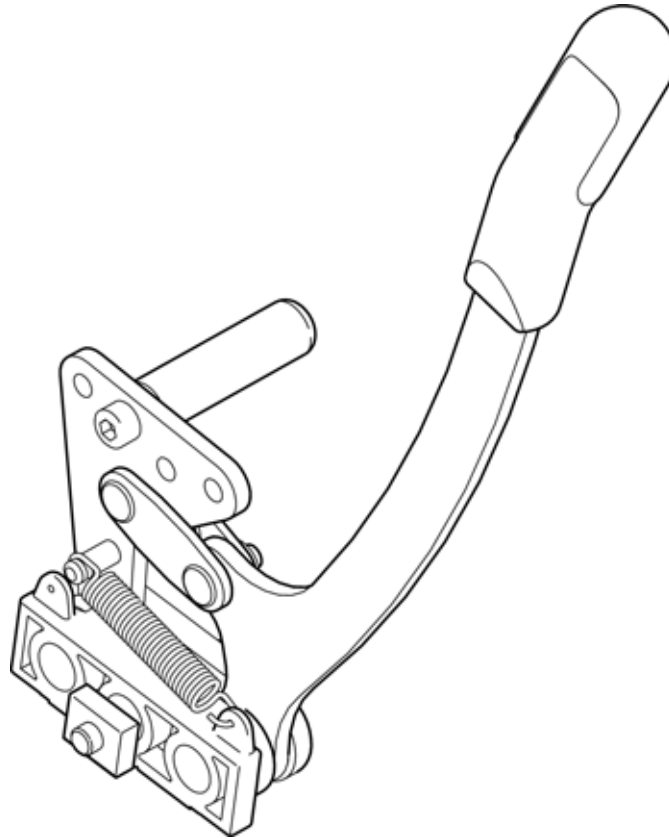
Pos.	Part number	Description	Qty
1	1448799	Brake kit 24" DB left, cpl. Azalea	1
2	1448798	Brake kit 24" DB right, cpl. Azalea	1
3	5735266	WIRE 870, CPL	1
4	1486473	REAR WHEEL ATTACHMENT, DB 12"+24" AZALEA	1
5	5735256	BRAKE HANDLE SACCON	1
6	5750199	ANKERPLAD INKL ARM SID A	1
7	5750705	ANKERPLAD INKL ARM SID B	1
8	5750192	AXLE QR 12X123 RFR MBL	1
9	5100925	PROTECTION CAP	1

Brake attachment



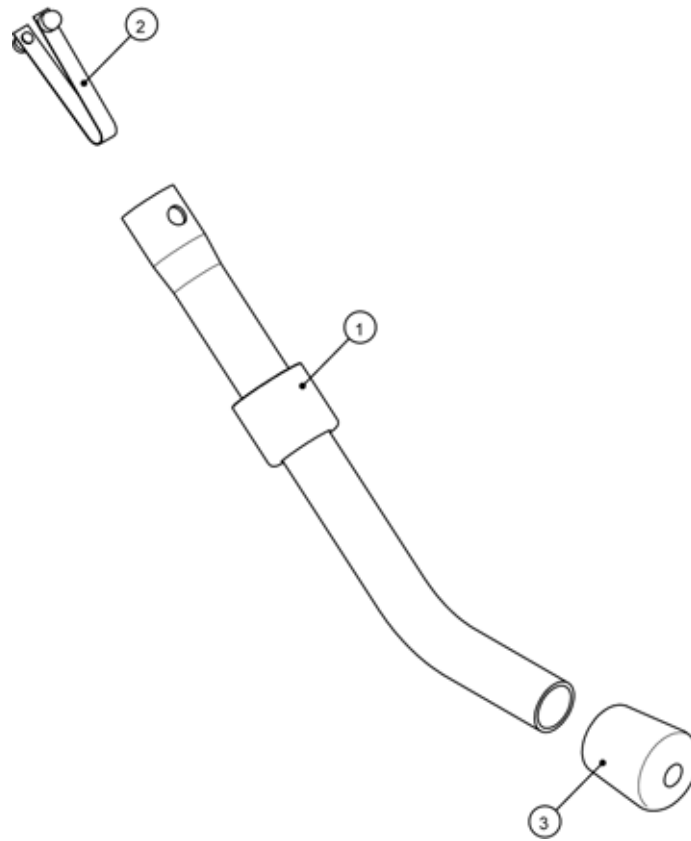
Pos.	Part number	Description	Qty
	1491317	BRAKE ATTACHMENT CPL.	1

Brakes



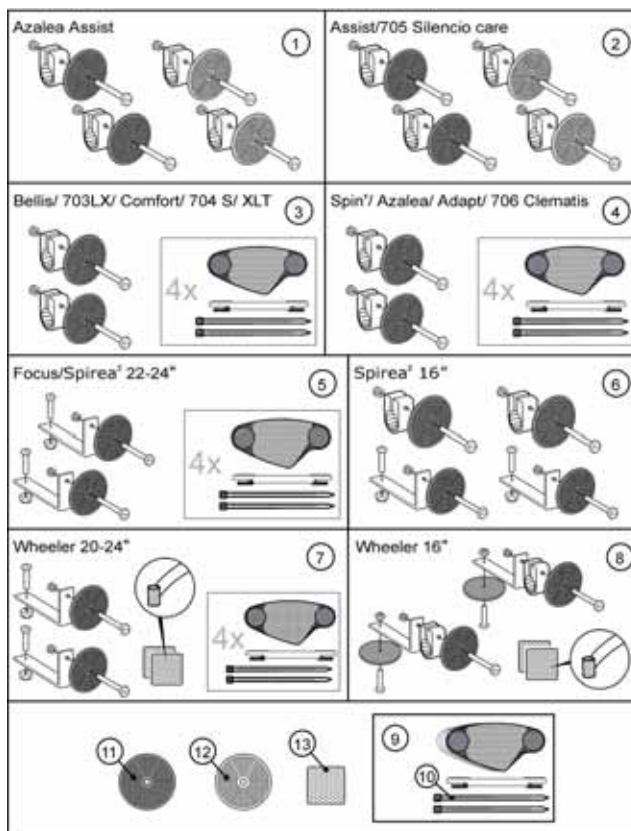
Pos.	Part number	Description	Qty
	1486410	BRAKE RIGHT, AZALEA	1
	1486411	BRAKE LEFT, AZALEA	1

Anti-tip device



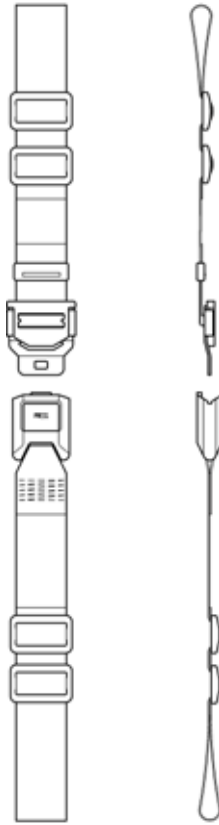
Pos.	Part number	Description	Qty
	1439933	ANTI-TIP DEVICE CPL	1
1	5103109	ENDSLEEVE, FOOTREST	1
2	5321593	SPRING LOCK (DOBBLE)	1
3	5716493	END CAP Ø18, RUBBER BLACK	1

Reflector



Pos.	Part number	Description	Qty
1	5254249	REFLECTOR KIT CPL., AZALEA 16" WHEEL	1
2	1415574	REFLECTOR KIT CPL., ASSIST	1
3	5206640	REFLECTOR KIT, BELLIS	1
4	5206655	REFLECTOR KIT CPL., SPINX/CLEMATIS	1
5	5104965	REFLECTOR KIT, FOCUS/SPIREA2	1
6	1435760	REFLECTOR KIT, SPIREA2 16" WHEEL	1
7	5108147	REFLECTOR KIT, WHEELER 20+24" WHEEL	1
8	5108024	REFLECTOR KIT, WHEELER 16" WHEEL	1
9	1495795	KIT, REFLECTOR YELLOW	1
10	5707472	STRIPS BLACK SHORT	1
11	5206634	REFLECTOR RED (PMMA 60 HELLA)	1
12	5738680	REFLECTOR, YELLOW	1
13	1446108	REFLECTOR WHITE, STICKER	1

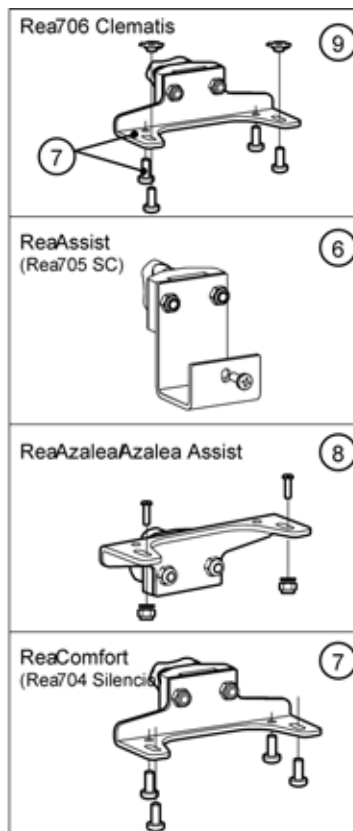
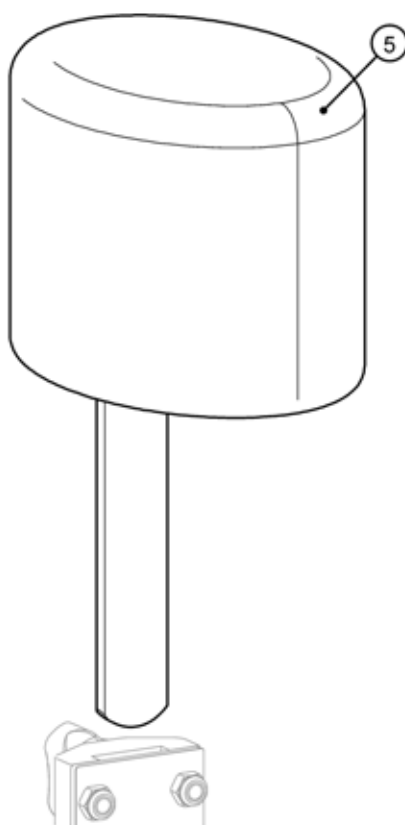
Pelvic belt



Pos.	Part number	Description	Qty
	5252276	PELVIC BELT	1

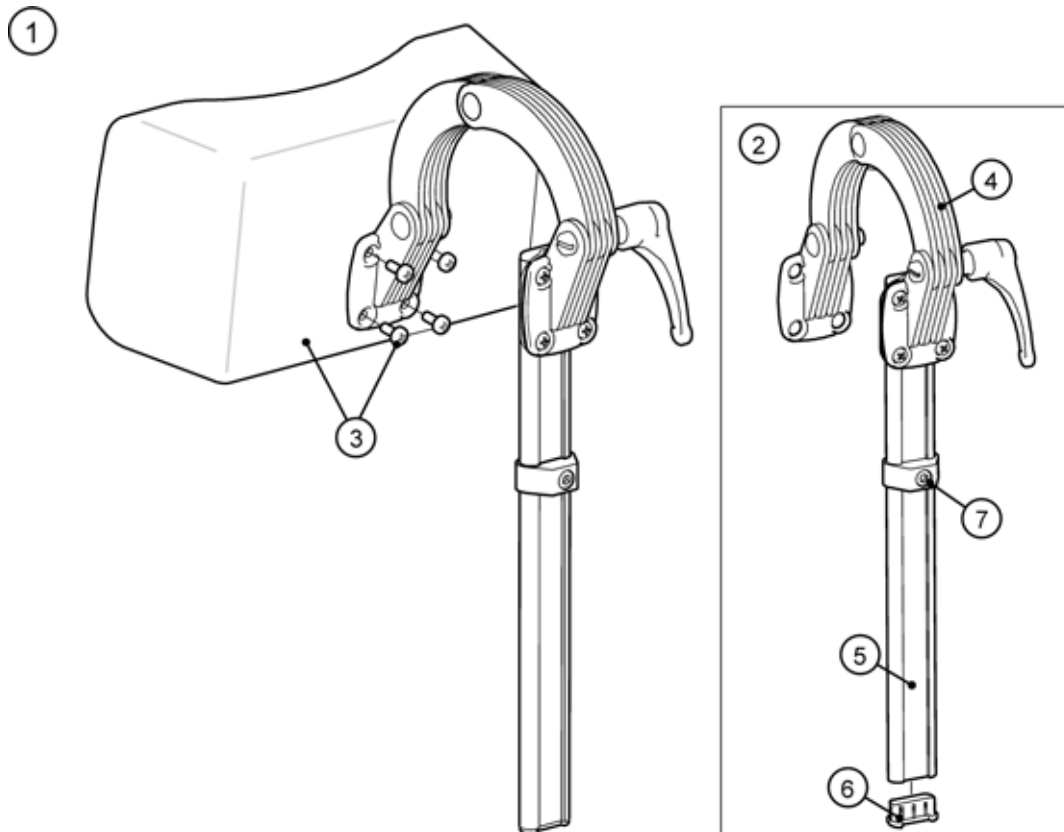
Pommel

- ① ReaAzalea
ReaAzalea Assist
- ② Rea706 Clematis
- ③ ReaAssist
(Rea705 SC)
- ④ ReaComfort
(Rea704 Silencio)



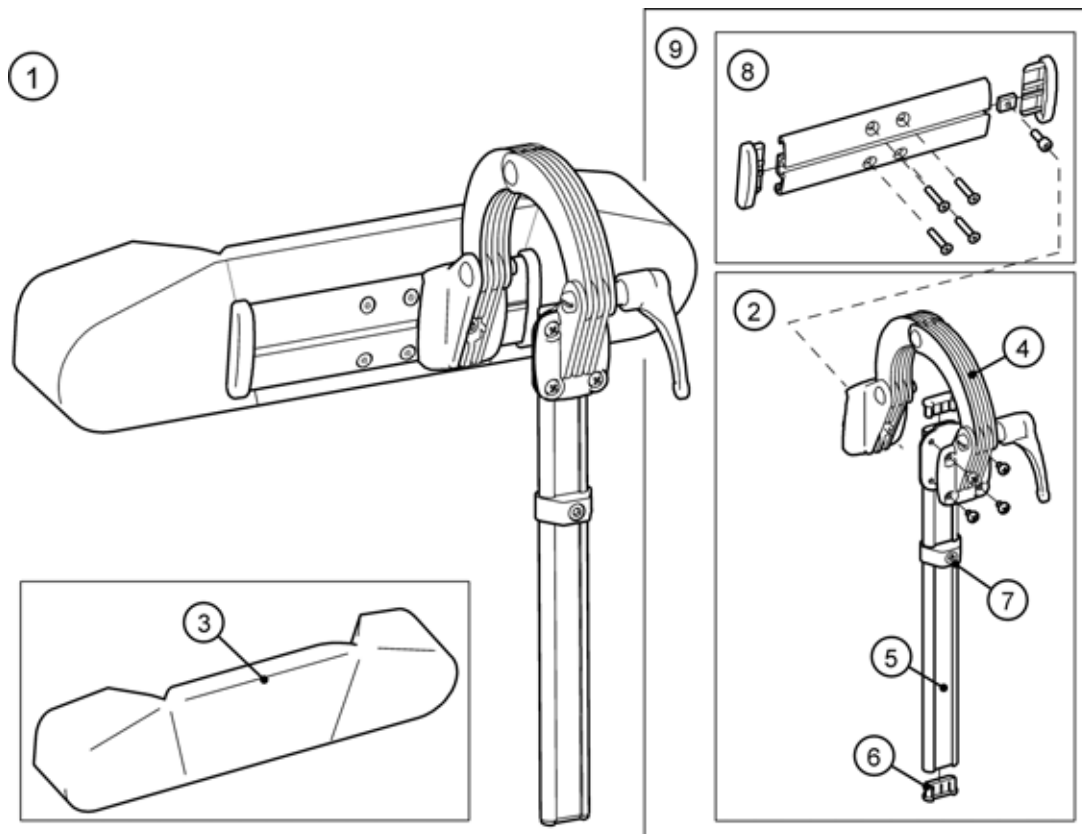
Pos.	Part number	Description	Qty
1	1491354	POMMEL CPL., AZALEA	1
2	1449897	POMMEL CPL., DARTEX BLACK, CLEMATIS	1
3	1449205	POMMEL WITH ATTACHM. ASSIST	1
4	1449206	POMMEL WITH ATTACHM. COMFORT	1
5	1444172	POMMEL, DARTEX BLACK	1
6	5254336	ATTACHMENT, POMMEL, CPL., REA ASSIST	1
7	5253715	ATTACHMENT, POMMEL, CPL., REA COMFORT	1
8	1493099	ATTACHMENT, POMMEL, CPL., AZALEA	1
9	5253715	ATTACHMENT, POMMEL, CPL., REA COMFORT	1

Neckrest



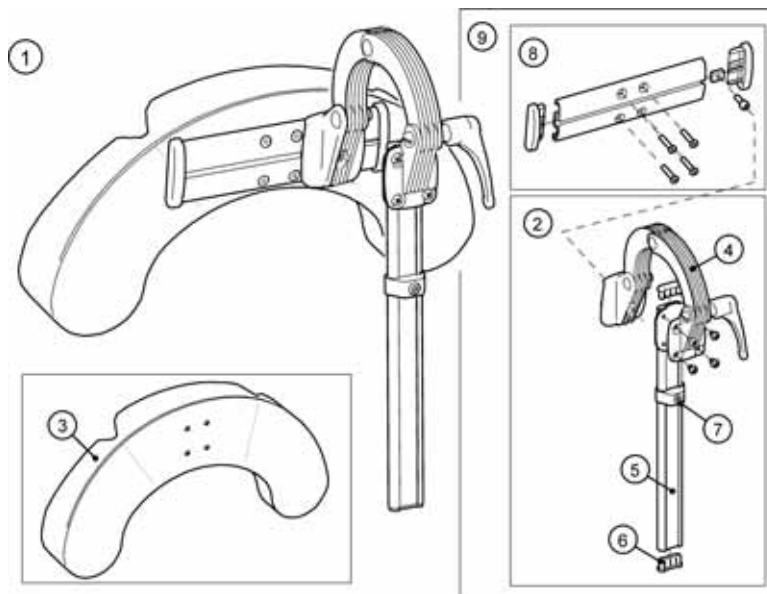
Pos.	Part number	Description	Qty
1	1446558	NECKREST CPL, DARTEX BLACK	1
2	1444209	ATTACHMENT, NECKREST, CPL.	1
3	1497977	PAD NECKREST WITH SCREWS	1
4	1445692	ATTACHMENT, NECKREST	1
5	1444183-0509	POLE, HEAD-/NECKREST	1
6	5716497	PLUG IPO "SPECIAL"	1
7	1448661	STOP, NECK- & HEADREST, CPL.	1

Headrest



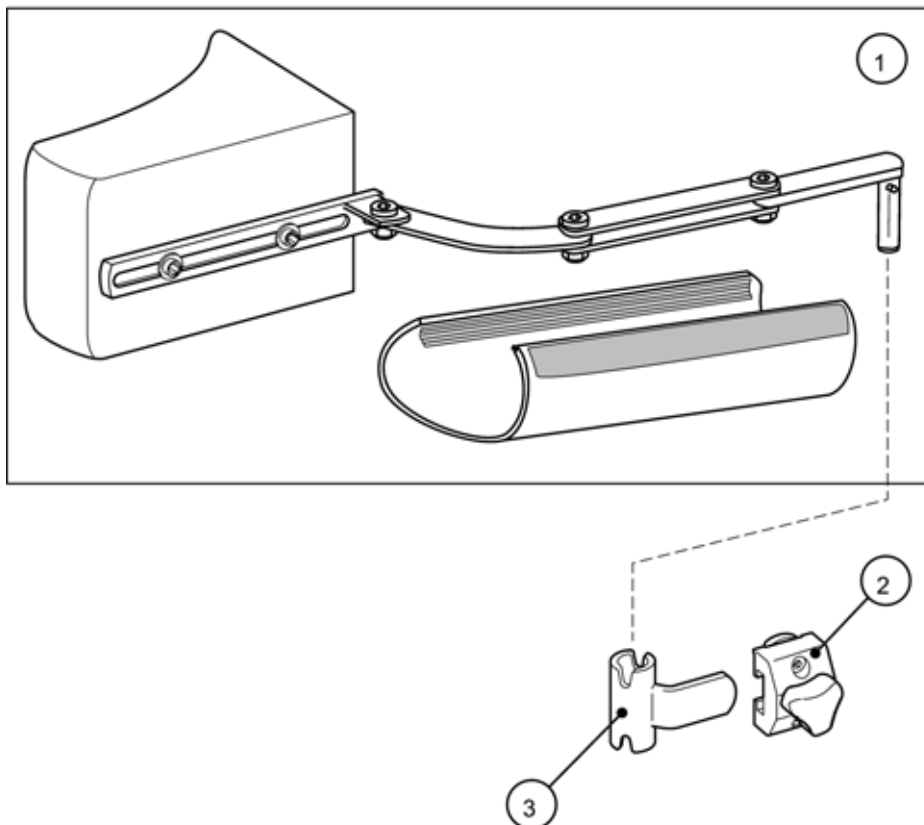
Pos.	Part number	Description	Qty
1	1446559	HEADREST TR26 CPL SIDEWISE ADJUSTABLE	1
2	1444210	ATTACHMENT, HEADREST, CPL.	1
3	5252230-TR26	CUSHION, HEADREST, DARTEX BLACK	1
4	1445691	ATTACHMENT, HEADREST	1
5	1444183-0509	POLE, HEAD-/NECKREST	1
6	5716497	PLUG IPO "SPECIAL"	1
7	1448661	STOP, NECK- & HEADREST, CPL.	1
8	1445838	RAIL, HEADREST, CPL.	1
9	1485538	ARTICULATION HEADR. KIT	1

Cheek support



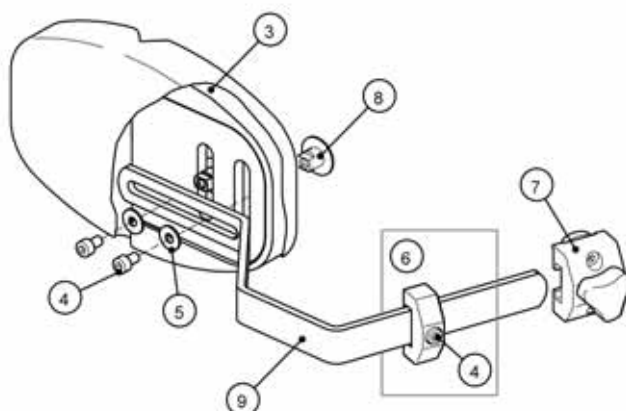
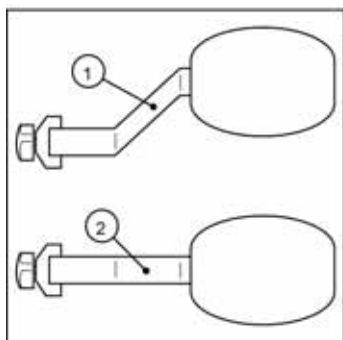
Pos.	Part number	Description	Qty
5	1444183-0509	POLE, HEAD-/NECKREST	1
	1446560	HEAD/CHEEK SUPP. TR26 CPL. SIDEWISE ADJUSTABLE	1
1	1444304	CUSHION, CHEEK SUPPORT	1
2	1444210	ATTACHMENT, HEADREST, CPL.	1
3	1444304	CUSHION, CHEEK SUPPORT	1
4	1445691	ATTACHMENT, HEADREST	1
6	5716497	PLUG IPO "SPECIAL"	1
7	1448661	STOP, NECK- & HEADREST, CPL.	1
8	1445838	RAIL, HEADREST, CPL.	1
9	1485538	ARTICULATION HEADR. KIT	1

Trunk support "swingaway"



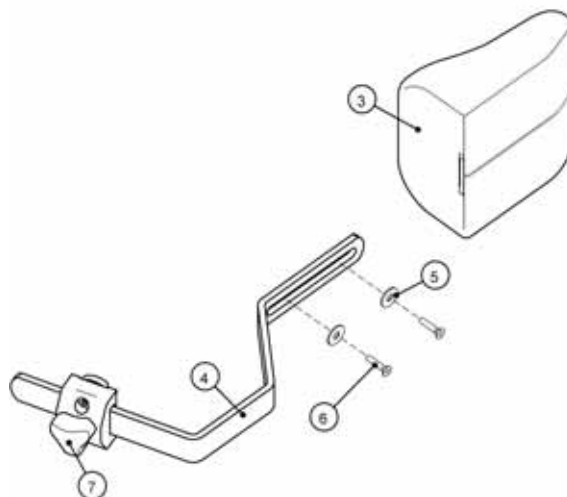
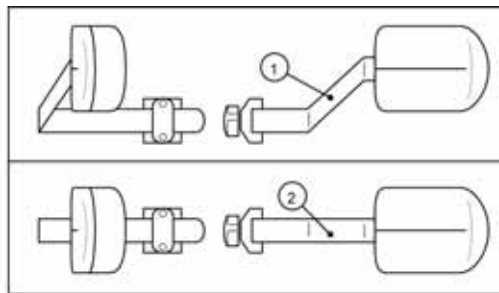
Pos.	Part number	Description	Qty
	1448697	TRUNK SUPPORT LE CPL INCL. ATTACHMENT	1
	1448698	TRUNK SUPPORT RI CPL INCL. ATTACHMENT	1
1	1451821	TRUNK SUPPORT, RIGHT, DARTEX BLACK	1
1	1451822	TRUNK SUPPORT, LEFT, DARTEX BLACK	1
2	5253170	ATTACHMENT, TRUNK SUPPORT CPL.	1
3	1444191	ATTACHMENT, TRUNK SUPPORT "SWINGAWAY"	1

Trunk support, multi adjustable



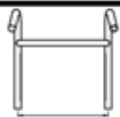
Pos.	Part number	Description	Qty
1	1484447	TRUNK SUPPORT ADJ., CPL. (ATTACHMENT INCL.), EXTENDED, LEFT, DARTEX BLACK	1
1	1484448	TRUNK SUPPORT ADJ., CPL. (ATTACHMENT INCL.), EXTENDED, RIGHT, DARTEX BLACK	1
2	1448692	TRUNK SUPPORT LE TR26 MULTI ADJUSTABLE	1
2	1448693	TRUNK SUPPORT RI TR26 MULTI ADJUSTABLE	1
3	1444205	CUSHION, TRUNK SUPPORT, CPL, DARTEX BLACK	1
4	5723035	SCREW MC6S M6X12	1
5	5729090	WASHER 6.0X16X1, NB STEEL	1
6	1444204	STOP, TRUNK SUPPORT	1
7	5253170	ATTACHMENT, TRUNK SUPPORT CPL.	1
8	1444192	NUT, ATTACHMENT, TRUNK SUPPORT PAD	1
9	1444193	ARM, TRUNK SUPPORT, FIXED	1

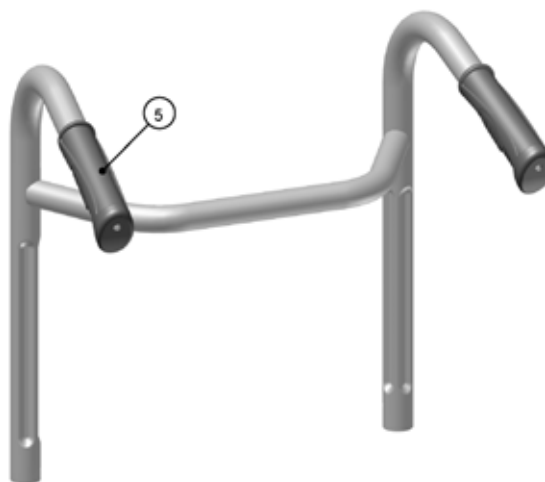
Trunk support



Pos.	Part number	Description	Qty
1	1492608	TRUNK SUPPORT, EXTENDED, CPL. (ATTACHMENT INCL.), LEFT, CPL., DARTEX BLACK	1
1	1492609	TRUNK SUPPORT, EXTENDED, CPL. (ATTACHMENT INCL.), RIGHT, CPL., DARTEX BLACK	1
2	1445798	TRUNK SUPPORT 13 CPL	1
3	5252257-TR26	CUSHION 13, TRUNK SUPPORT, DARTEX BLACK	1
4	1444193	ARM, TRUNK SUPPORT, FIXED	1
4	1484537-0008	ARM, TRUNKSUPPORT, EXTENDED, LE.	1
4	1484538-0008	ARM, TRUNKSUPPORT, EXTENDED, RI.	1
5	5729090	WASHER 6.0X16X1, NB STEEL	1
6	5724229	SCREW MFX H M4X20	1
7	5253170	ATTACHMENT, TRUNK SUPPORT CPL.	1

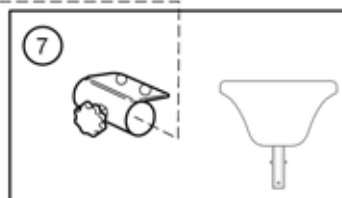
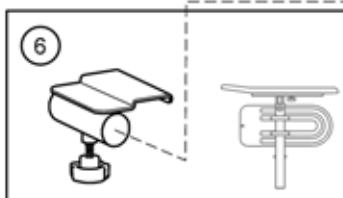
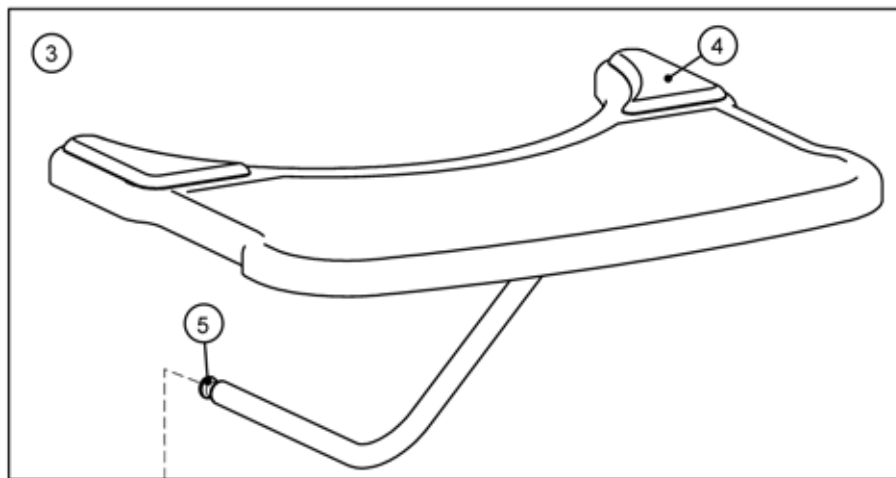
Push handles, connected

Sittbredd / Seat width / Sitzbreite / Largeur d'assise	Rea Assist (705 Silencio)	Rea Bellis	Rea Azalea Rea Comfort (704 Silencio)				
				292	342	392	442
			39	1			
	40-50	41 (S)	44		2		
	45-55	46 (M)	49			3	
	51 (L)					4	



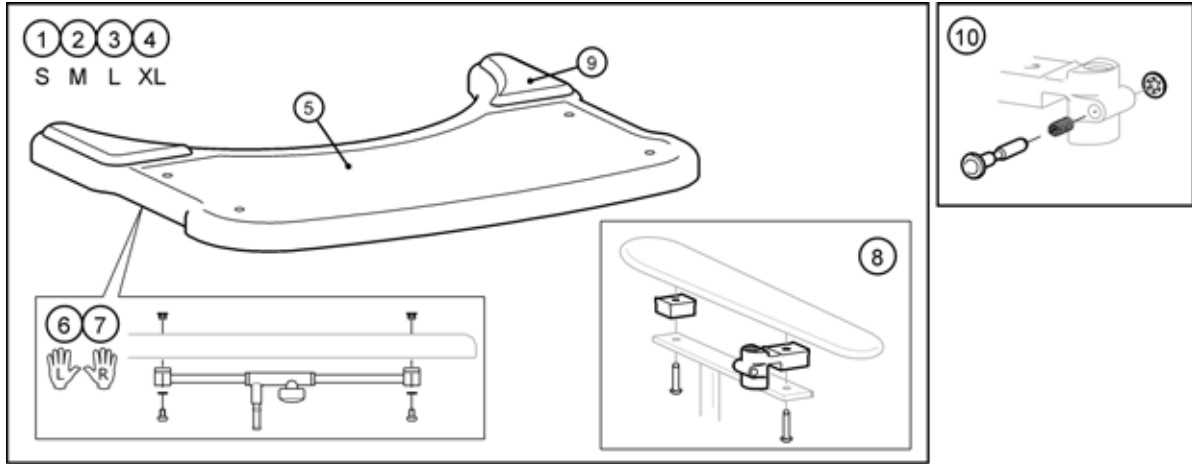
Pos.	Part number	Description	Qty
1	1420007-0509	PUSHHANDLE BRACED 314 (XS), CPL.	1
2	1420008-0509	PUSHH. BRACED C44,SMA BE	1
3	1420009-0509	PUSHH. BRACED C49,MED BE	1
4	1420010-0509	PUSHHANDLE BRACED LA,BEL	1
5	1435421	HANDLE Ø22, INVACARE	1



Table tray "Swingaway"



Pos.	Part number	Description	Qty
1	1449217	TABLE TRAY "SWINGAWAY" + MOUNTING KIT	1
2	1508102	TABLE TRAY + MOUNTING KIT, PADDED ARMREST	1
3	1444164	TABLE TRAY "SWINGAWAY" CPL.	1
4	1497825	ELBOW PAD, PAIR, TABLE	1
5	5716296	PLUG Ø22X19.5, PLASTIC BLACK	1
6	1449818	ACCESSORIES VORTEX GERM.	1
7	1449839	FÄSTE BORD SWING AWAY FRANSKA ARMSTÖD	1

Table tray




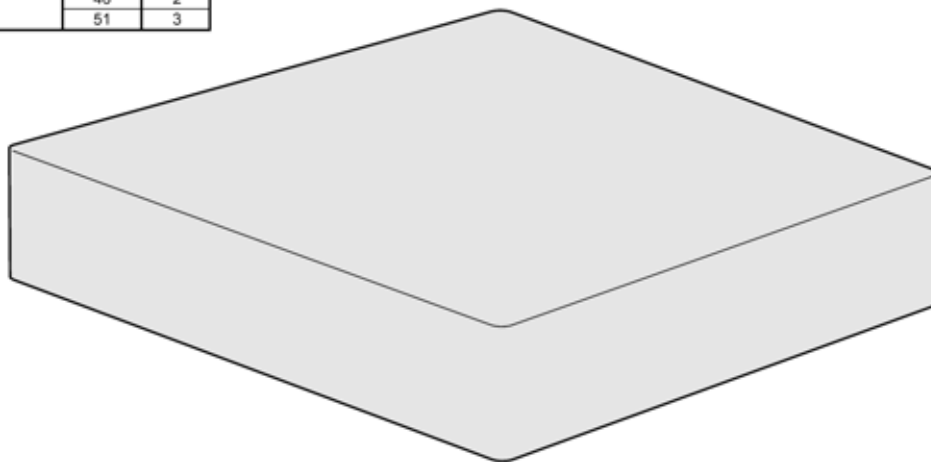
														
SW (cm)	39	44	49	54	59	SW (cm)	36	38	41	43	46	50		
Rea Azalea	1	2	3	4	4	Rea Spirea	1	1	2	2	3	3		
Rea Comfort	1	2	3			Rea Adapt	1	1	2	2	3	3		
Rea Clematis	1	2	3				35,5	38	40,5	43	45,5	48	50,5	53
Rea Assist	40-50		45-55			Rea Spirea2		1	2	2	3		3	
	3		4			Rea Spirea3		1	2	2	3		3	
	39-43	44-48	49-53			Rea Focus		1	1	2	2	3	3	
Rea Bellis	1	2	3			Rea Focus 150								4
Rea Bellis comfort	2	3	4			SpinX	1	1	2	2	3	3	3	
	40	43	46	51	55									
Rea 703LX	1	1	2	3	4									
Rea 703 comfort	1	1	2	3	4									
Rea 150	1	1	2	3	4									

SPS5206642

Pos.	Part number	Description	Qty
1	5206727	TABLE TRAY S, CPL + MOUNTING KIT	1
2	5206726	TABLE TRAY M, CPL + MOUNTING KIT	1
3	5206725	TABLE TRAY L, CPL + MOUNTING KIT	1
4	5207643	TABLE TRAY XL, CPL + MOUNTING KIT	1
5	5206642	TABLE TRAY S, CPL	1
5	5206643	TABLE TRAY CPL MEDIUM	1
5	5206644	TABLE TRAY CPL LARGE	1
5	5206654	TABLE TRAY CPL XL,ASSIST	1
6	5206648	GUIDE TUBE CPL, LEFT	1
7	5206649	GUIDE TUBE CPL, RIGHT	1
8	5206650	MOUNTING KIT, TABLE, UNIVERSAL	1
9	1497825	ELBOW PAD, PAIR, TABLE	1
10	1415416	LOCKING KIT, TABLE, ASSIST	1

Incontinents cover

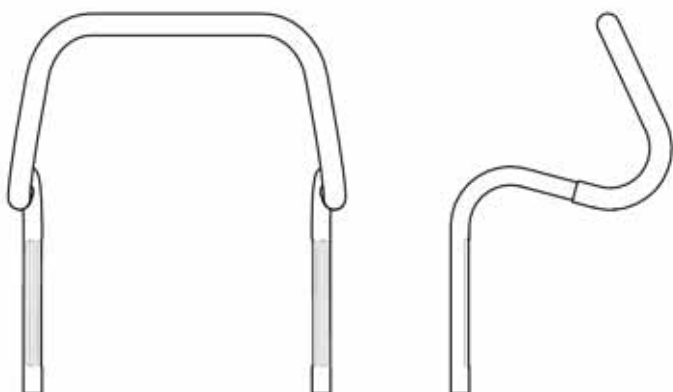
		
	SN (cm)	
Azalea	39	1
Azalea Assist	44	2
Com fort	49	3
Assist (small)	40	2
	45	2
	50	3
Assist (large)	45	3
	50	3
	55	4
Bellis	41	1
	46	2
	51	3



Pos.	Part number	Description	SPS525307€	Qty
1	5253078-TR26	SEAT COVER COMFORT 39		1
2	5253079-TR26	SEAT COVER COMFORT 44		1
3	5253080-TR26	SEAT COVER COMFORT 49		1
4	5253617-TR26	SEAT COVER COMFORT 54		1

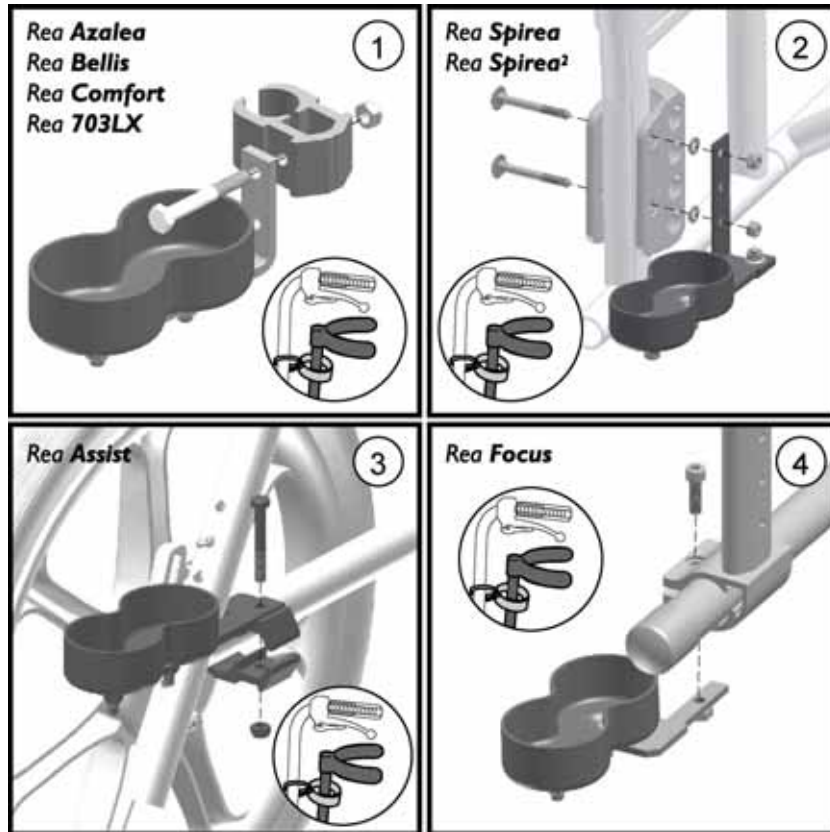
Push bar

Sittbredd/ Seat width/ Sitz- breite/ Largeur d'assise	Rea Assist (705 Silencio)	Rea Bellis	Rea Azalea Rea Comfort (704 Silencio)				
				292	342	392	442
			39	1			
	40-50	41 (S)	44		2		
	45-55	46 (M)	49			3	
	51 (L)					4	



Pos.	Part number	Description	Qty
1	1444350	PUSH BAR 292	1
2	5255136	PUSH BAR SMALL CPL, 342 BELLIS	1
3	5255137	PUSH BAR MEDIUM CPL, 392 BELLIS	1
4	5255138	PUSH BAR LARGE CPL, 442 BELLIS	1

Crutch holder



Pos.	Part number	Description	Qty
1	5295015	CRUTCH HOLDER	1
2	5104964	CRUTCH HOLDER	1
3	5254250	CRUTCH HOLDER	1
4	1435754	CRUTCH HOLDER	1

