



Model:
SL - A1712

**Unfold a Suitcase Scooter
To Start off in Five Seconds**



Welcome, users of box-type foldable scooter! The mission shouldered by a scooter shall be the excellent quality to serve its users. And it makes us understand that the Electric Scooter is not only an alternative for walking, but also a part of your life. On this purpose, we have made tremendous efforts, highest concern and caution in the design and manufacturing of each component, which are expected to be identified by you. However, don't hesitate to contact us and tell us your opinion and feedback. Please contact us with you thoughts, questions and opinions, at admin@ronicatrade.com.au.

Wish you a pleasant experience using our scooter!

Content

Preface -----	1
About This Manual -----	2
Background-----	3
Safety-----	4
Scooter Parameters-----	8
Scooter Operation-----	9
Battery-----	13
Charging-----	14
Specification & Model-----	14
BDM Hotline-----	14
Maintenance -----	15

Instructions for Use Electric scooter is a portable means of transportation to the convenience of short-distance transportation. An electric scooter takes lithium battery as the power source to satisfy the demand of short-distance traffic. Users shall be evaluated in terms of their vision, response time, balance, posture, capability of sedentariness, attention and capability to get on and off the scooter; shall be capable of making the judgment of distance, realizing barriers or dangers, and seeing passengers or other pedestrians on the road.

About This Manual Use of This Manual This manual is necessary for any scooter user. This manual includes Instructions for Use and Operation and Warning for Scooter Operation; Scooter Operation includes the operation from turning off and on or turning on and off and how to operate a scooter.

This Manual is aimed at making you be prepared and familiar with the product and its functions. This Manual is aimed at providing you the answers to any possible problem occurred during your operation and use of the scooter. In case of any question unsolved, please contact your dealer or call for technical support.

Sign & Warning Please note all of warnings and cautions stated in Users' Manual, which will prevent you from any possible damage due to unreading or ignoring this statement.

Caution Caution marks include safety information and information about possible damage.

Warning Warning aims at making you pay attention to possible risk or damage to your scooter or other properties.

Necessary Tools for Nip Point Warning: Wrench Warning: If you see a warning in need of a wrench and you are not a professional technician, please ignore the statement and look for professionals or contact this company for support.



Attention This User's Manual qualified the latest specification and information of the product when it was distributed. If necessary, we reserve the right for any change of product that may lead to slight differences between the statement in this Manual and the product you have purchased.

Warning This clause includes required information for relevant users and qualified technicians. This User's Manual includes important information about safety operation and the use of this product. Please do not use this product or any usable device when you haven't read or completely understand the statements relevant to this product and devices. When you don't understand any warning, caution or statement, please do not try to use this device and contact any authorized dealer or technician to avoid any possible damage. Programs not stated in this Manual must be presented by senior technicians.

Background Our Scooter is an electric scooter based on cutting-edge technologies for indoor or sidewalk use. When using the scooter on a sidewalk, you shall follow pedestrian rules, put pedestrians priority and consider the safety of other pedestrians on the sidewalk, especially the ones with hearing or vision disorder who may not notice your existence. If it is your first time to use this scooter or a long time from your last use, we strongly suggest that you shall accept certain training first to ensure your correct use and operation of this scooter, especially on unsmooth road surface. Your training and test shall include the test of your vision and response time; balance and posture; capability of sedentariness, attention and getting on and off the scooter. You shall make regular review and summary on your operation skill. A great majority of countries have not formulated any legal requirements on vision, however, a rational vision is extremely important for safe operation of scooters. Poor vision may turn into the direct factor of an accident with your burden of compensation. Vision is changing along with aging. Therefore, we suggest you to receive regular vision test. If your vision is severely damaged (blind), you shall not use this scooter, to prevent you and other passengers from any danger. If you have partial vision disorder, please consult with your optometrist or doctor. If you take drugs with side effect of sleepiness regularly, please consider the safety of using the scooter and consult your doctor for any hesitation. If you have drunk any wine, please do not use this scooter. This electric scooter can be operated on a sidewalk, bypath or Pedestrian zone, impassable road for pedestrians or to cross the road, but please follow the traffic rules.

Certificate of Compliance The design of this electric scooter qualifies SN/T1658-2005 Safety Technology Conditions for Electric Scooters.

Safety instructions are as follows:

Nonoperational for Children This is scooter is not a toy, which shall not be operated by children, unless they are targeted users qualifying laws and regulations or the minimum requirements partially stated in this User's Manual.

Safety Attention This scooter shall not be operated for showing virtuosity or any other non-targeted users. This scooter shall only be operated on sidewalks, under the operation conditions of safety and sound contact the road surface.

Caution

Instructions for Safety and Use Disclaimer: Ronica Trade and Mobility Scooters for Hire Sale Service shall not assume any responsibility for any damage or injury caused due to irrational or unsafe operation of Tough Luggage Scooter. This company hereby makes a special statement that this company will not assume any responsibility for any physical injury or property damage incurred to users due to their inobservance of local or regional rules and laws.

Under Normal Circumstances Please turn off the power when the scooter is not used. Before operation, please ensure that your seat is locked when the scooter is in the state of unfolding completely. Please keep an appropriate sitting position when operating the scooter. When the scooter is operated on grassland, cobbled road or any soft or uneven road surface, please pay great attention. Overspeed along corners will overturn the scooter; therefore, please prevent such a risk when operating the scooter around corners or barriers at any time. Please slow down when turning a corner to prevent the risk of overturning. When moving ahead facing with a barrier higher than 20mm, please do not try to overpass this barrier; such a behavior is unsafe and will damage the scooter.

Use in Public Places

■ Do not use the scooter in traffic jam, public street or motorway.

■ **Note:** You may not be seen by moving vehicles when you are sitting on a scooter. Please follow local pedestrian traffic rules and move carefully after all of vehicles have passed completely.

■ When a scooter is moving on a horizontal road surface at the maximum speed of 25km/h and the power is turned off during the movement, the scooter will stop in 1.5 meter maximum. Please take this distance into consideration during your use of the scooter.

■ Do not try to use this scooter in stairs or escalators; please use the elevators.

■ Do not use this scooter in places of unsafe or illegal operation.

■ Do not operate the scooter near stairs or places with barriers to prevent you from falling from the scooter.

■ Please operate the scooter carefully in narrow roads and pay attention to barriers around back mirror or handlebars.

Operation of Mobile Phones

■ Please do not use any electric-acoustic instruments, e.g. listening music or making phone calls, during the course of scooter operation.

Weather:

■ When it is rainy, snow, foggy or frozen, please do not operate the scooter or leave the scooter outside.

■ When it is stormy, please do not operate the scooter to lower the risk of accident or any damage to the scooter.

■ Operating the scooter when it is rainy, snowy, foggy, frozen or on smooth road surface may cause adverse influence on the electrical power system of the scooter.

■ During normal operation, the surface temperature of the scooter is directly correlated with the skin temperature of the user or his/her assistant.

This temperature is below 41° C. After the scooter is operated, the surface temperature of the engine will be over 41° C. Please do not touch these parts when folding or unfolding the scooter or wait until the engine has cooled.

Please do not wash the scooter with the hose. The scooter shall be maintained and stored in a clean and dry environment and avoid from being exposed to rainy, snowy, iced, salty or watery conditions.

Power

■ To avoid from any damage to you or others, please make sure the power is off when you getting on and off the scooter each time.

Lifting up

■ Please do not try to lift up or move any movable part (including the seat and panel) of the scooter, to avoid from hurting yourself and the scooter.

Load

Besides yourself, the scooter shall not carry, drag, push or pull any other object.

■ You can use our authorized appendants to carry your business bag or small luggage, in accordance with the instructions of operation; besides, the total weight of passengers and loads shall not exceed the maximum allowable weight of the scooter.

Under Medical Conditions

■ Please do not operate the scooter under the influence.

■ If your physical condition is not very well or you are taking any drug with the side effect of dizziness to influence your vision or capability of operating the scooter safely, please do not operate the scooter.

■ If you are taking any drug or have any other physical defect, please contact your doctor, because some drugs and defects will influence your capability of operating the scooter safely.

Please slow down the scooter when turning a corner.

Operating on the Slope

■ When operating the scooter on the slope, please do not move on the slope with angularity but going straightly, to dramatically reduce the risk of overturning or gliding. To maintain the maximum stability, please lean against your seat when moving on the hillside, slope, or roads with barriers or raised objects.

Please do not cross or turn a corner on the slope.

■ Please do not try to operate the scooter on the slope with snow, ice, wet grass, leaves or any other unsafe coverage.

■ Please maintain your scooter to move ahead when climbing up a slope.

Back

■ Please make sure that there is no barrier in the back when backing the scooter.

■ Please do not try to back your scooter in stairs or places with barriers to avoid from overturning.

Arms & Legs

■ Please do not put your body weight center on the edge of the seat when getting on and off the scooter, to avoid from overturning.

■ When operating the scooter, please do not leave your hands or legs away from the scooter.

■ When operating the scooter, please ensure that your hands and legs are far away from the wheel. Please note that comfort-fit clothes may be dragged in moving parts of the scooter. When sitting on the scooter, please put your legs on the foot rests.

Non-normal Use

■ Please do not use the scooter beyond the use as stated in this User's Manual.

■ Please do not sit on the scooter when it is put on any movable device.

■ When the scooter is connected with an elevator or any rising device, please do not sit on the scooter, because your scooter is not designed with this function; and any subsequent damage or injury will not be assumed by Ronica Trade and Mobility Scooters for Hire Sale Service.

■ The program of controller shall be only operated by authorized personnel. Incorrect programming may cause safety danger to the operator of scooter.

Battery and Charger

■ The charging time of battery is 4 hours. Please avoid children under custody to play around the scooter during the process of charging.

■ Please do not charge the battery when it is frozen.

■ When your battery is damaged or broken, please wrap it with a plastic bag immediately and contact an authorized dealer for recycling and treatment.

■ Do not connect the battery charger with any external electric wire.

■ Please use an original lithium battery supplied by Ronica Trade and Mobility Scooters for Hire Sale Service only.

Warning: This product is designed to maximize the use of the scooter. However, you shall not change, increase, move or remove any part or function of the scooter under any circumstance, which may cause damage to you and your scooter.

1. Do not change the scooter in any form without authorization.
2. Do not use any appendant without test or approval.
3. We suggest that you shall do a security check before using the scooter each time, to ensure the operation safety.

Weight Limit:

1. Please see the parameter table for weight-related information.
2. Please keep the loading within the weight limit of the scooter; exceeding the weight limit will make this warning invalid. Any damage or property loss due to no attention to the weight limit will not be assumed by the manufacturer or Ronica Trade and Mobility Scooters for Hire Sale Service.
3. Do not carry any passenger on this scooter, who may cause the scooter to lose equilibrium, overturn or fall down.

Mark Damage If the mark is unreadable due to certain reasons, please refer to this chapter and contact Ronica Trade and Mobility Scooters for Hire Sale Service to change for a new mark free of charge.

Compliance & Warning Mark The electric scooter system is equipped with different product compliance marks, which are positioned based on policies to provide important information about safety operation of system. For detailed information of the descriptions of these marks and their positions, please see the following contents:

1. Please see Page 14 for manufacturer's marks.
2. Please see Page 8 for parameter description.

Note: Extra marks about system panel, appendants and disposable accessories are described as followings:

Do not lift the mark handle when sitting on the scooter.

■ The mark handle is not designed to lift the product.

■ Scooter not in the powered off condition may fall down.



Fig.1



Fig. 2



Fig. 3

Scooter Parameters:

parameter : Frame structure: aluminum alloy

1. Motor: 350W 48V

2. Battery: 48V capacity 2600ah charging time: 4 hours

3. Battery selection:

Standard battery life: 30km 7.8ah travel time of 1.5 hours

High battery life: 45km12ah driving time: 2.5 hours

4. Speed limiter: 3 gears:

Low speed 6km/h, medium speed 12km/h, high speed 25km/h

Forward, back, climb 20 degrees

LED headlamp horn, with reflective strip.

Waterproof display, display voltage, power, speed

5. 8-inch front drive driving wheel and 10-inch rear air inflation tire

Rear wheel disc electronic with mechanical brake.

6. Surface treatment: paint the water meter

Net weight: 28 kg 10 inch tires

8. Carrying capacity is 120kg

9. Luggage mode size:

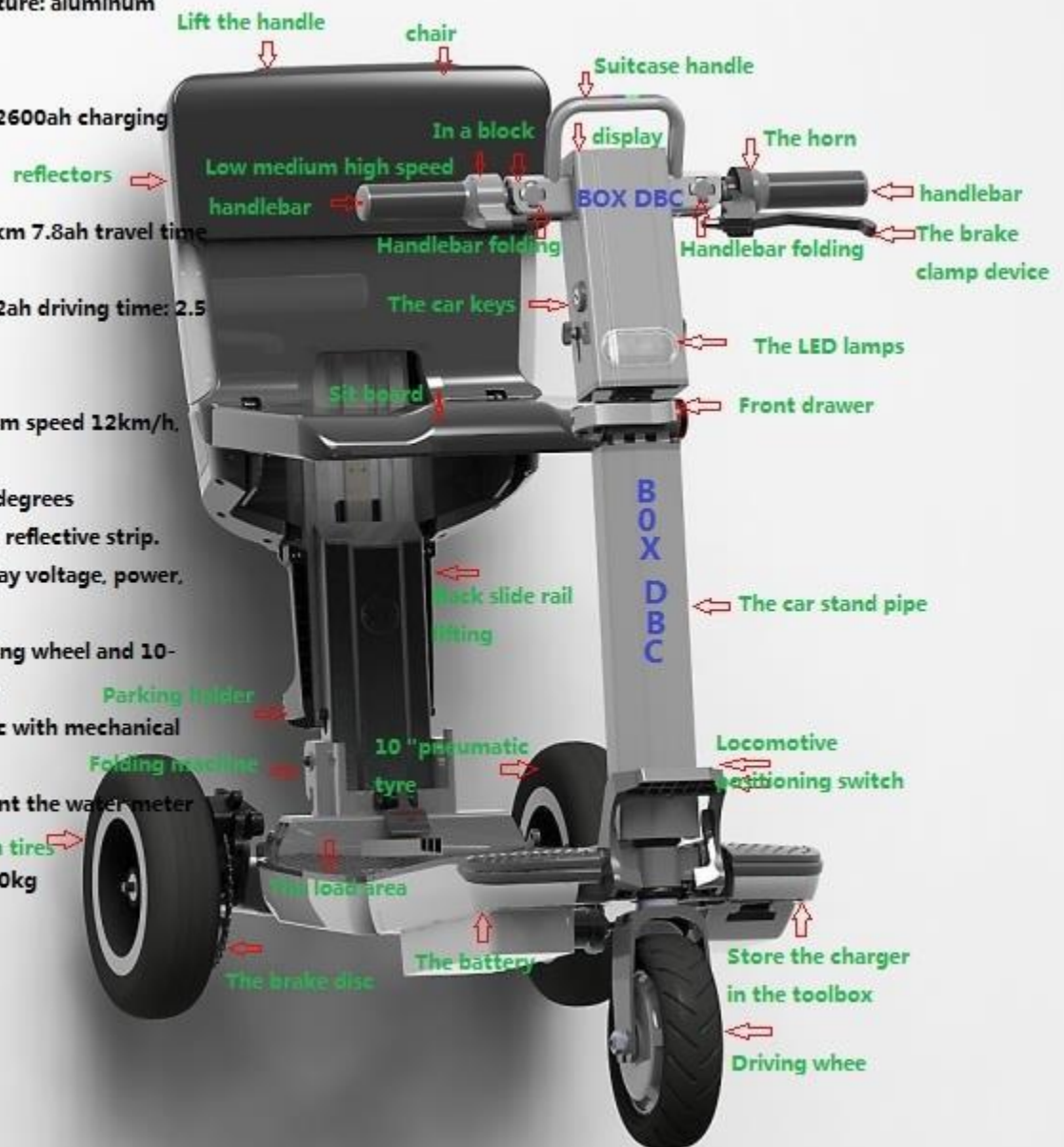
470 x 380 x 760 mm

10. Car size:

1100 x 470 x 980 mm

11. Package size:

860 x 530 x 420 mm



Operation to Unfold the Scooter:

1. Before unfolding the scooter, please make sure that your scooter is placed on the horizontal ground as showed in Fig. 4; and make sure that the area covering 2 m² around is open space.
2. Loose the folding button on the handle as showed in Fig. 5; and put the handle to the balance position as showed in Fig. 6.



Fig.4

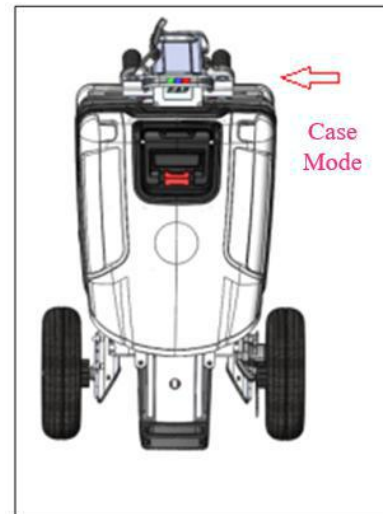


Fig.5

Fig. 6

3. Hold the head part with your left hand; slightly trample the head lock of the driving wheel with your left foot; press the head lock down until the Pah sound, showing the scooter is locked (as showed in Fig. 7).
4. Hold the scooter head with your left hand; bend down to open the red lock catch behind the seat (as showed in Fig. 8).



Fig. 7

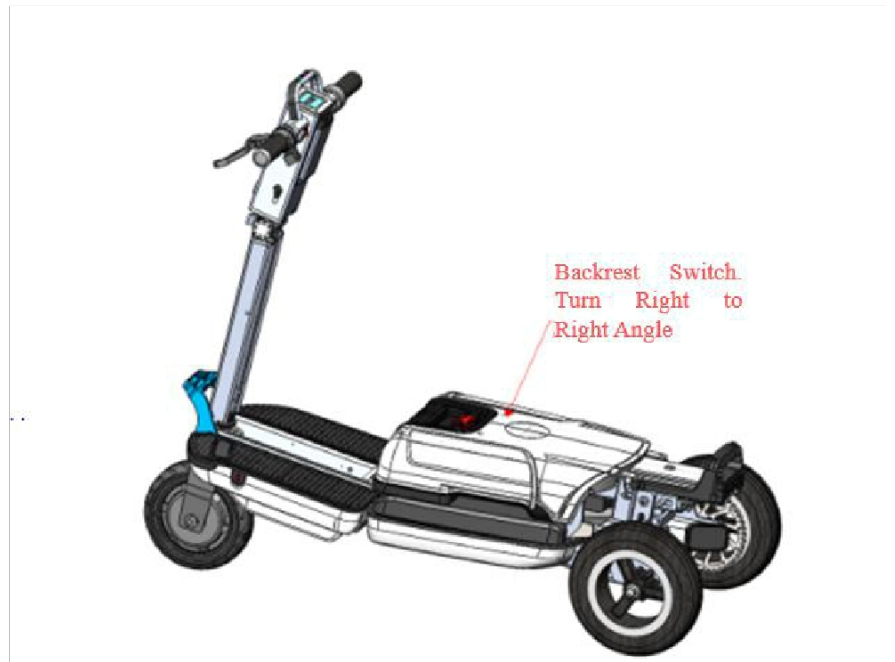


Fig. 8

5. Pick the red lock catch with your right hand (as showed in Fig. 9), then lift the control lever (as showed in Fig. 10).



Fig.9



Fig.10

6. Turn right to the right angle (as showed in Fig. 11) and lift up until the click sound (as showed in Fig. 12).



Fig. 11



Fig. 12

7. There is a lock catch in the middle of front pedal and back pedal (as showed in Fig. 13).
8. After the backrest is unfold, lock the seat safety catch (as showed in Fig. 14).



Fig. 13



Fig. 14

9. Adjust Panel Angle:

Scooter's panel can be adjusted to multiple angles for your comfort. Before the adjustment, please sit on your scooter first; hold the panel with one hand and lose the adjusting stick with another hand (see Fig. 15-16) to adjust the angle of the panel until you can see the display clearly and comfortably. After the adjustment is complete, please tighten the adjustment folder.



Fig. 15



Fig. 16

10. Operation:

- a. The panel displays the electric quantity and speed.
- b. The key shall be inserted in the right handle; the right handle is used as accelerator for low, medium and high speed.
- b. The left handle is used to brake and turn off the power. When you tighten the brake, the accelerator will stop working; when you release the brake, the accelerator will start to work.
- d. Horn and forward/back gears are below the left handle.
- e. The left and right handles are foldable.
- f. Low Speed: 6 km/h; Medium Speed: 12km/h; High Speed: 25km/h.
- g. An LED lamp is installed in front of the scooter head.
- h. You can turn the key one time for daytime operation mode and two times for nighttime operation mode with LED lamp lighted up.



Fig. 17



Fig. 18

11. Sitting Position:



Fig. 19



Fig. 20

12. Folding Operation: (Folding)

a. Please make sure the scooter is placed on the horizontal ground before folding.

To avoid from pinching hand when folding the scooter, please make sure that your fingers are away from movable parts with closed gaps.

b. Unfolding Mode: Please hold the scooter head with your left hand and trample the head lock on the driving wheel with your left foot (as showed in Fig. 20).

c. Operation by Steps (As Showed in Fig. 21-28)



Fig. 21



Fig. 22



Fig. 23



Fig. 24



Fig. 25

Fig.26



Fig.27

Fig. 28



Fig. 29



Fig. 30



Fig. 31

13. Battery

Battery of Scooter.



Fig. 32

14. Charger:

- a. Connect one end of the charger with the battery socket of scooter and connect the other end of the charger with a power socket. The red LED light shows that the charger is connected correctly.
- c. The process of charging will last 3-4 hours. After the battery is fully charged, LED light shows green. Once charging is complete, please pull out the charger from the power socket immediately to avoid any risk.

c Warning: Do not connect the charger for over 6 hours.



Fig. 33

15. Tool cabinet for charger and tools.



Fig. 34

16. Maintenance and Repair: If your scooter can't be operated, please contact your dealer.

- a. Please ensure that the charger is not connected with your scooter.
- b. Please check whether the battery is charged. If you are not sure, please connect the charger and battery and wait for the green LED light.
- c. When you unfold the suitcase and find no click sound after lifting the backrest seat, this shows that there is dust or foreign matter. The scooter shall not be used under such abnormal condition and the solution is as showed below:



Fig. 1



Fig. 2



Fig. 3





Fig. 4

Specification: 1100 x 470 x 980 mm Head NO: A01-AGZZ04 Frame NO: BOX DBC 01

Model: Scooter Model: SL-A1712 Battery Model: SL-A1712#48V (48 stands for 48V lithium battery)

Speed: 6km/h; 12km/h; 25km/h max.

Loading Capacity: Maximum User Weight: 120kg

3-year Warranty Period Three-year warranty period for structural frame, parts and bodywork, including scooter's chassis, operating system and seat system.

1-year Warranty Period Operation part, including battery, charger, electric machine, forward and back wheels and brake.

1-year Warranty Period The battery is warranted for 1 year since the date of purchasing. Any increasing damage of battery function due to users' incompliance of User's Manual or heavy usage will fall outside this warranty period.

The following items are not covered by the warranty: ABS plastic material; seat decoration; tyre. Any uncontrollable conditions, including battery function error, abuse, misuse, accident, irrational operation, maintenance or storage and any other non-normal use leading to labor service recall, or other expense (if the serial number is deleted or destroyed) due to users' maintenance or transformation of this product or any part without the written consensus of , based on the independent assessment made by Ronica Trade and Mobility Scooters for Hire Sale Service, any loss of persistent occurrence will not be accepted. The warranty period as stated in this manual includes the marketing and adaptability for certain specific purposes, only limited to one year since the original purchasing date as regulated by laws. Any other maintenance or joint liability under the warranty period will not be included.

Distributed by ... <https://mobilityscootersforhire.com.au>

