

# TTX-2W Four-wheel lithium battery folding vehicle user manual (Big chair model )

[Back to Scootmobiel TTX2W webpage](#)



Environment    Safety    Effort



# Welcome to use



- Thank you for choosing TTX-2W four-wheel lithium battery folding bike .(Big chair model ) (hereinafter referred to as TTX-2W). TTX-2W is a smart and lightweight folding four-wheeled travel tool. The four-wheel design structure is stable and suitable for different age groups.
- TTX-2W has advanced and reliable design technology, and energy saving and environmental protection. TTX-2W has no pollution and noise during operation, which is conducive to environmental protection.
- This user manual explains the operation of the TTX-2W. For your safety, please read and follow the relevant regulations.
- If your TTX-2W is transferred, please forward this manual to new users, who also need to know about this.
- This manual contains as much as possible the function descriptions and instructions for use when printing. However, due to continuous improvement of product features, design changes, etc., it may still be inconsistent with the products you purchased.Please refer to the products actually purchased.

# Prohibited items



- It is forbidden to use the laws of the country/region and the relevant administrative units to prohibit the use of such vehicles area us this vehicle.
- It is forbidden to drive horizontally on the slope.
- Overloading is prohibited, and the standard load capacity is 120kg.
- It is forbidden to exceed the safety warning line of each telescopic part of TTX-2W.
- It is forbidden to store at an ambient temperature of 40 ° C or higher and below -20 ° C
- It is forbidden to hand pushing electricity, and it must be ensured that the vehicle is in a power-off state before pushing .
- It is forbidden to turn violently, change the direction greatly and become unstable, which may cause danger.
- It is forbidden to drive in bad weather or in the environment, such as heavy rain, heavy snow, wind and other weather and slippery, muddy and other sections.
- Children under the age of 14 are prohibited from driving alone (the legal driving age is subject to local law).
- It is forbidden to drive TTX-2W without wearing a safety helmet. Wear helmets or related protective gear in accordance with local laws.
- Alcoholics, mental patients, sedatives, etc., as well as those with limited mobility, are prohibited.
- When driving, it is forbidden to leave the steering handle with both hands. It is forbidden to support the body on the steering handle. It is forbidden to leave the foot pedal during driving..
- It is forbidden to arbitrarily modify the parts of the TTX-2W and drive the modified TTX-2W on the road, which will affect the performance of the TTX-2W and even damage the TTX-2W.
- It is forbidden to drive in an unsafe environment, such as flammable gases, steam, liquids, dust fibers, etc., which may cause dangerous events such as fire or explosion.

Special Note: Do not place the TTX-2W in a car or in a trunk sealed environment during hot weather! At high temperatures, the battery pack may be completely ineffective or even cause burning!

[Back to Scootmobiel TTX2W webpage](#)



# Safety instructions

The TTX-2W is a sporting entertainment tool that is not a vehicle, but once you drive it into a public area, it will also have vehicle properties, so there are also security risks that may exist with all vehicles. You may face personal injury from collisions and loss of control. To ensure your driving safety, please read all instructions and precautions in this manual thoroughly and carefully.

Note: Although this manual will help you better understand and use the TTX-2W, we cannot ensure that all types of emergency are included. Therefore, we remind you to drive carefully and ensure your driving safety.

- Please take effective safety measures before driving TTX-2W. You must use safety helmets and other protective gear correctly. Be vigilant during driving, and keep a reasonable safe distance from pedestrians and others.
- In countries and regions where there are currently no national standards and regulations related to TTX-2W, please be sure to strictly follow the safety requirements of this manual for drivers. The company will not bear any direct liability and joint liability for all property, personal loss, accidents, legal disputes and other adverse events that cause conflicts of interest caused by violation of instructions in this manual.
- Do not lend the TTX-2W to someone who does not operate it to avoid injury. Please be responsible for the safety of your friends. Please read this manual carefully before giving TTX-2W to your friends. Please tell him that he must wear safety gear to assist him in driving.
- Please perform basic inspection of this product before driving TTX-2W every time to confirm that the quick release parts of TTX-2W are fastened and the steering handle is stable. If you notice abnormal parts of the car body, tires leaking or excessive wear, abnormal steering, or steering failure, please stop using it immediately, and do not force driving. Please contact the company in time for troubleshooting to obtain professional guidance.
- Avoid TTX-2W rain or wading. When the rainwater is immersed or the wading water level is flooded to the rear wheel motor hub, the battery will enter the water and the internal circuit will be short-circuited. In this case, it is strictly forbidden to charge the TTX-2W again, otherwise it will cause the battery to burn and explode.

# Learning to drive



Practice in a safe and empty place until you can get on the bus safely and comfortably, skillfully controlling, steering, parking, and getting off. Do not drive the TTX-2W out to complex driving conditions and road conditions before you are skilled.

There is a risk of falling and injury during the study, so please wear a safety helmet and protective gear throughout the journey.

1. Check if the power is sufficient before the driving, whether the tire pressure is sufficient, and whether the braking performance is intact.
2. Insert the electric door key into the power switch lock, turn it to the “ON” position, the power indicator light is on, and the power is turned on before you can drive.
3. Right hand turn the speed control lever slowly backwards to the speed you need to enter normal driving.
4. When you need to stop, first turn off the handle, so that the speed will drop significantly, then brake, keep the vehicle still, turn the key to “OFF”, this means that the power has been cut off and the key is unplugged. Keep the vehicle stationary. After getting off the electric scooter with one foot and landing, leave the pedal with the other foot.
5. After use, please charge according to the remaining battery capacity.

The maximum speed of TTX-2W is up to 18km/h, and the turning radius is limited. If you make a sharp turn under the condition of not high speed, the center of gravity will become unstable if you change the direction significantly, which will lead to the overturning of TTX-2W and other risks such as falls.

[Back to Scootmobiel TTX2W webpage](#)

# Folding and unfolding steps

## Folding

Stop the TTX-2W on a flat place, remove the seat part before folding, and pull up the large red sphere on the right to fold it successfully.

After folding, you can pull the TTX-2W direction bar to tow it. If you need to put it in the car or transport it, you can open the quick release handle of the direction bar and rotate the loose nut to adjust to the lowest height.。

## Unfolding

After pulling the lower small red ball handle to unlock the folding lock, pull it back and forth to complete the TTX-2W unfolded state, and install the seat part.



# Steering bar and child seat adjustment

Steering bar height adjustment



First open the quick release handle and rotate the loose nut. Adjust the direction lever to the appropriate height according to your height. After the adjustment is completed, tighten the nut and lock the quick release handle.

When adjusting the steering bar, care should be taken not to expose the safety marking line of the directional tube riser.

Seat installation and removal



Installation: Pick up the seat, first insert the slot behind the seat into the bracket behind the seat, pull the bar under the seat, and insert the groove in the front of the seat into the bracket in front of the seat. The small bracket can be adjusted forward and backward. Seat position.

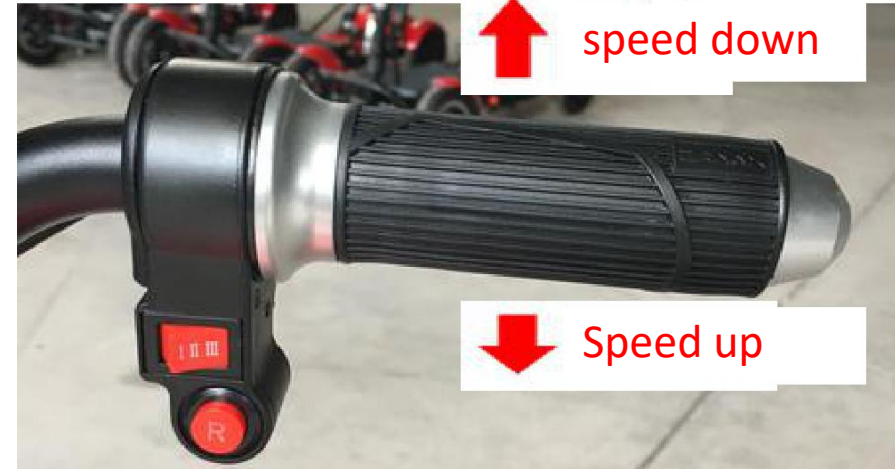
Disassembly: Pull the bar under the seat and lift the seat up to remove the seat

# Function diagram



LCD instrument assembly, lock, LED headlights and power display.

Insert the key clockwise to turn on the power switch once, otherwise turn off the power switch, turn clockwise twice to turn on the LED headlights



Turn the speed control handle, turn the handle on the right hand, and adjust the acceleration and deceleration according to the direction shown in the figure.

Three-speed shift switch, I, II, III three gears respectively correspond to 6/12/18km / h.

The reverse switch "R", the pressed state is the reverse gear, and then the rebound state is the forward gear.

Horn switch, press the horn button to sound, to remind the passing pedestrians and vehicles, to avoid some unnecessary traffic accidents.

Parking parking system (two- speed adjustment of handbrake), parking in the way to prevent uneven road slipping.





# Charging method



The charging port is under the left pedal of the TTX-2W body, and the charging port cover is opened and the charging interface is dry.



Please insert the positioning groove of the charging port of the charger at the charging port of the car body first, and then connect the charger plug to the ac power socket.

After charging, unplug the AC power supply, and then unplug the connector that is connected to the charging port of the car.

In order to ensure the safety of transportation, the TTX-2W battery pack is not fully charged. Due to the self-consumption of electricity during the transportation and storage cycle, it may cause low or no power when first used. This is normal. Don't worry. Charge according to the charging method.

Please use the TTX-2W original charger for charging. Do not use other chargers for charging. The company will not be responsible for any consequences caused by not using the original charger.

The TTX-2W charging time takes about 5~8 hours (depending on the battery pack capacity). When charging, the indicator light on the charger lights up red, indicating that the power is on and charging. When the indicator changes from red to green, the battery is fully charged. Stop charging at this time. The maximum charging time should not exceed 10 hours. Long-term charging will affect the life and safety of the battery pack.

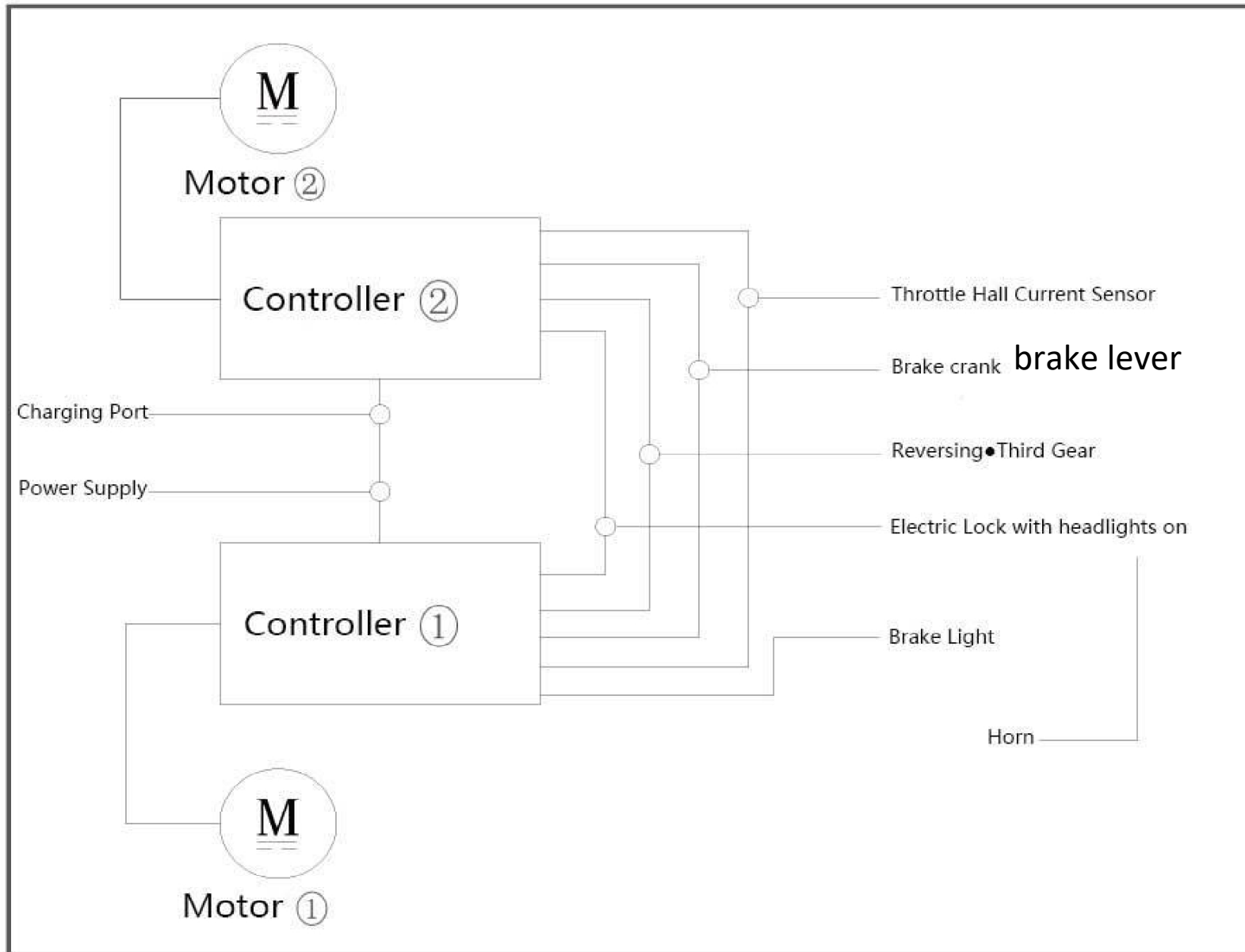
It is forbidden to disassemble the charger ,As it has a high voltage circuit.

Do not connect the charger to the AC power supply without the charger working, otherwise it will damage the life of the charger and may cause other dangers. When charging, the surrounding environment should be empty, ventilated, no fire, no flammable or explosive materials around, and do not

cover anything on the charger. Pay attention to prevent liquid and metal particles from entering into the charger, prevent falling and impact, so as to avoid damage.

[Back to Scootmobiel TTX2W webpage](#)

# Electrical Schematic Diagram



# Technical Data Sheet



Product name	TTX-2W Four-wheel folding bike (Big chair model)
Overall dimensions	980x550x830mm
Pack up the size	370x550x690mm
Packaging size	630*410*745mm
Motor power	250Wx2
Front / Rear wheel size	10/8 inch
Lithium Battery	36V10Ah / 36V15.6Ah
Charger	100~240V, 50-60Hz
Charging time	5h / 8h
Max. speed(km/h)	6/12/18km/h
Turning Radius	1.5m
Max.climbing grade	12°
Max.loading weight	120kg
Ground Clearance	9.5cm
Travel Range	25km/40km
N.W / G.W	29kg/34kg
Option parts	baskets

\*The actual range of driving range is affected by vehicle configuration, load, temperature, wind speed, road surface, operating habits and other factors. The data in this manual are for reference only.

\*Actual product size and weight may vary slightly due to different measurement methods, assembly tolerances and configurations. The data in this manual are for reference only.

\*The technical parameters of TTX -2W will vary from country to country, and the data in this manual are for reference only. For TTX-2W technical parameters, please refer to the information provided by the actual purchase office.



# Maintenance

If stains appear on the surface of the TTX-2W body, wipe it with clean water or a mild detergent, and then wipe it off with a dry cloth.

Tip: Do not use alcohol, gasoline, kerosene or other corrosive, volatile chemical solvents to clean, otherwise it will seriously damage the appearance and internal structure of the car body.

It is forbidden to use high pressure water gun to wash, so as to avoid the internal electronic components and wiring caused by the potential accident.

When the TTX-2W is not in use, try to store it indoors in a dry and cool place. Try to avoid storing it outdoors for a long time. Sunlight exposure, overheating, and cold outdoor environments all accelerate the appearance of the TTX-2W and the aging of the tires and reduce the life of the TTX-2W and its battery pack.

Do not disassemble or modify this product by yourself. The company does not bear all the consequences. It is forbidden to use any spare parts not specified by the company. Once used, you will lose your warranty. If you need to repair or replace parts, please contact our company or local authorized dealer.

## **Maintenance of TTX-2W battery pack**

Do not place the TTX-2W at temperatures above 40 °C or in low temperatures below -20 °C (for example, do not place this product or its battery pack in a car exposed to summer exposure). Do not put the battery pack into fire. Otherwise, it may cause battery failure, overheating, and even a risk of fire.

Avoid completely exhausting the battery and recharging it. Try to use it as much as possible. This will greatly extend the life of the battery pack. In addition, when used at room temperature, the battery pack can achieve higher cruising range and performance; and if used in an environment below 0 °C, battery life and performance will decrease. Typically, at -20 °C, the cruising range may be only half or less at normal temperature. After the temperature rises, the battery's cruising range will recover.

If you do not use the TTX-2W for a long time, please be sure to charge at least once a month to maintain the life of your battery pack. If it is not charged for a long time, it may cause the battery to be over-discharged and damaged. This damage is unrecoverable.

Note: Non-professionals are forbidden to disassemble the battery pack at will, otherwise serious safety accidents may result from electric shock or short circuit! At the same time, the battery pack cannot be removed at will. If you need to replace the battery, please contact our company or local distributor, we will provide you with quality professional services.

[Back to Scootmobiel TTX2W webpage](#)